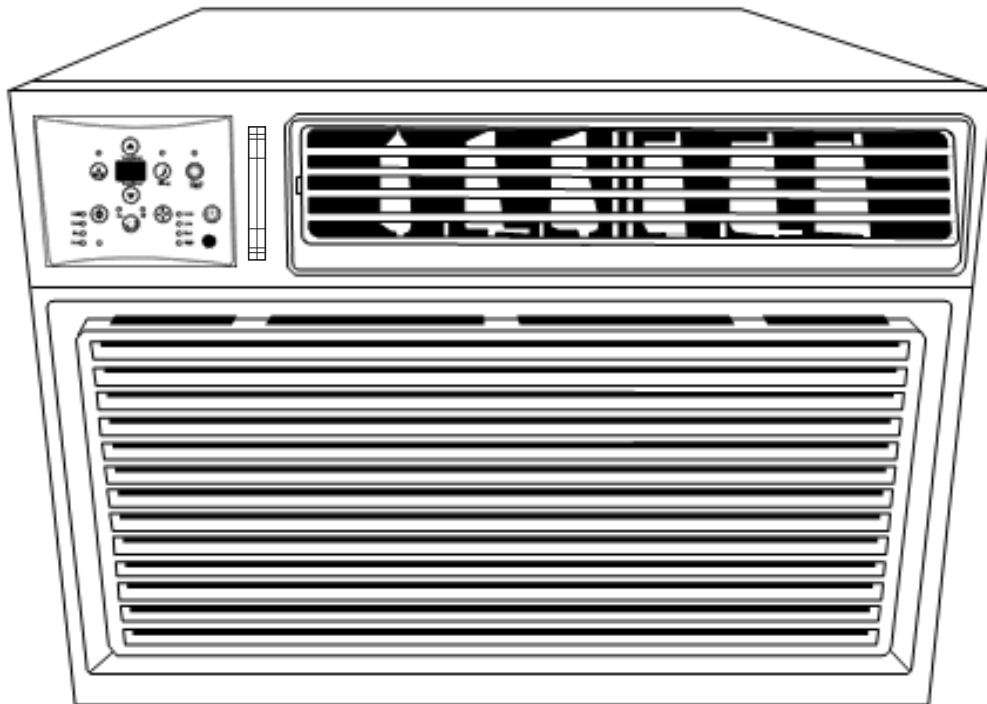


# **Koldfront<sup>®</sup>**

## **Window Air Conditioner**



**WAC1800IW**

**WAC2500IW**

**Owner's Manual**

## Important Safety Information



**Warning:** The water produced by the air conditioner is not potable or suitable for drinking. Do not drink the water drained from the unit as it contains contaminants and could make you sick.

Improper handling can cause serious damage to the appliance and/or to the user. Please read the following safety information.



### Electrical Safety

- Make sure your hands are dry and not wet before operating the unit.
- Do not wet the front housing or control panel.
- Do not directly spray water on this Air Conditioner.
- Do not pull the unit by the cord.
- Always turn the unit off and unplug it from the socket when cleaning.
- Unplug the unit if it is not going to be used for a long period of time.
- Do not operate the unit with a damaged or loose plug and / or socket.
- Use only the correct power supply with appropriate amperage.
- If the power cord is damaged, it must be replaced by the manufacturer, a service agent, or qualified technician.
- Do not turn the unit off or on by inserting or pulling the power plug.
- Do not modify the power cord length or share the outlet with another appliance.
- Do not use this unit with an extension cord and/or adapter plug.
- Do not use this unit near flammable gases/combustibles or in close proximity to heating appliances.
- During operation, do not remove any part of the outside casing.



### General Safety

- Do not let people or pets sit or set an object directly in front of air flow.
- If a strange sound, smell, or smoke comes from the unit, turn it off and review the troubleshooting page of this manual.
- Stop operation and unplug unit in the event of a severe storm.
- To ensure proper air flow and intake, make sure the air vents are not obstructed.
- See instructions for cleaning air filters and how often cleaning should occur.
- Do not use strong detergents when cleaning.
- Children should be supervised when operating this unit.
- Do not allow children to play with the controls or drop any objects into the air outlets or vents.
- Do not place objects or let any person sit on top of the unit.
- Route the power cord carefully to avoid a tripping hazard.
- This unit is intended for domestic home use only. Do not use the air conditioner for commercial or industrial use. Any other use may invalidate the warranty.
- Use caution when unpacking and installing the unit as there may be some sharp edges.

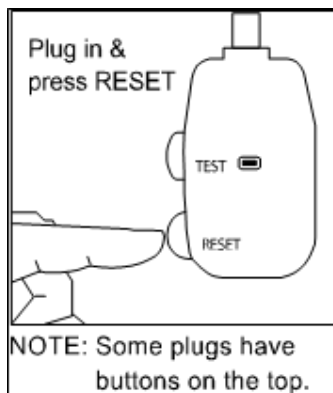
## Operation of Safety Plug



**Note:** Electrical products should not be disposed of with household waste. Please contact your local recycling center for more information on how to recycle electronic waste.

Your air conditioner is supplied with a Leakage-Current Detection and Interruption (LCDI) safety plug. This device provides protection to reduce the risk of fire due to arcing faults in the power supply cord. Before using your air conditioner, follow the instructions below to ensure that the h plug is working properly:

1. Plug the power cord into a grounded outlet.
2. Press the TEST button on the LCDI plug. This should trip the plug and cut the power to the air conditioner. If the plug does not trip and you are able to turn on the unit, please contact Koldfront support.



3. Press the RESET button to start using your air conditioner.



**Notes:**

- Always make sure the RESET button is pushed in for proper operation.
- The power supply cord with LCDI plug must be replaced if it fails to reset.
- Do not use the TEST and RESET buttons as an ON/OFF switch.

## Table of Contents

Important Safety Information.....	2
Operation of Safety Plug.....	3
Introduction .....	5
Parts Identification.....	6
Front/Side View: .....	6
Front View with Window Kit.....	6
Installation .....	7
Tools Needed.....	7
Parts Supplied.....	7
Preparing the unit for window Installation .....	8
Removing Air Conditioner from Cabinet .....	8
Attaching the Top Channel and Side curtains .....	9
Installing Unit Into Window .....	10
Installing the Support Bracket .....	11
Extending Side Curtains to Window Frame .....	12
Completing Installation.....	12
Operation .....	13
Control Panel Operation .....	13
Operating Modes:.....	13
Additional Tips:.....	14
Remote Operation.....	16
Maintenance .....	18
Air Filter Cleaning .....	18
Cabinet Cleaning .....	19
Normal Sounds.....	19
Error Codes.....	19
Energy Saving Guide .....	19
Troubleshooting .....	20
Specifications.....	22
EdgeStar Limited Warranty .....	23

## Introduction

Thank you for purchasing this Koldfront air conditioner. We hope this purchase will be the beginning of a lasting and rewarding relationship between you and Koldfront. We will provide the customer support and exemplary products necessary to nurture that relationship.

This manual contains important information regarding the proper installation, use, and maintenance of your air conditioner. Following this manual will ensure your product will work at its peak performance, efficiency, and safety.

Please save the original product packaging in case you need to safely transport your air conditioner.

### **For Your Records:**

Please write down the model number and serial number below for future reference. Both numbers are located on the ratings label on the back of your unit and are needed to obtain warranty service. You may also want to staple your receipt to this manual as it is the proof of your purchase and is also needed for service under your warranty.

Model Number: \_\_\_\_\_

Serial Number: \_\_\_\_\_

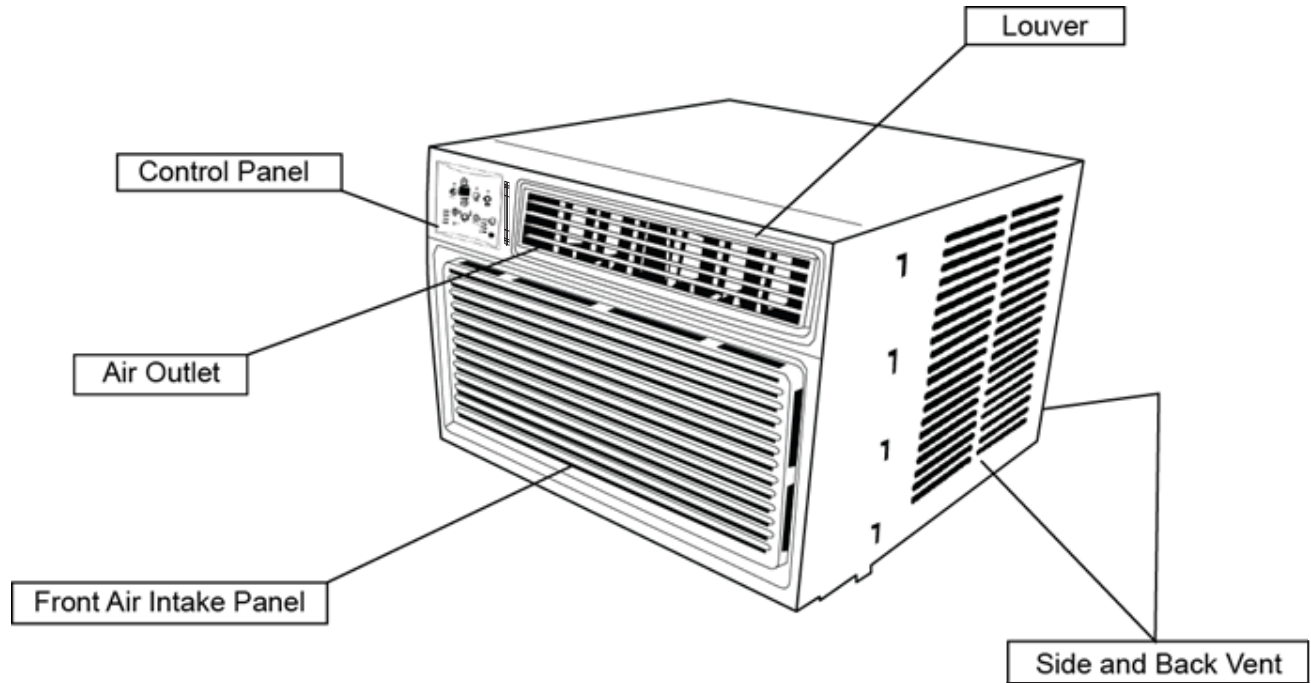
Date of Purchase: \_\_\_\_\_

For a more efficient experience, please do the following before contacting customer service:

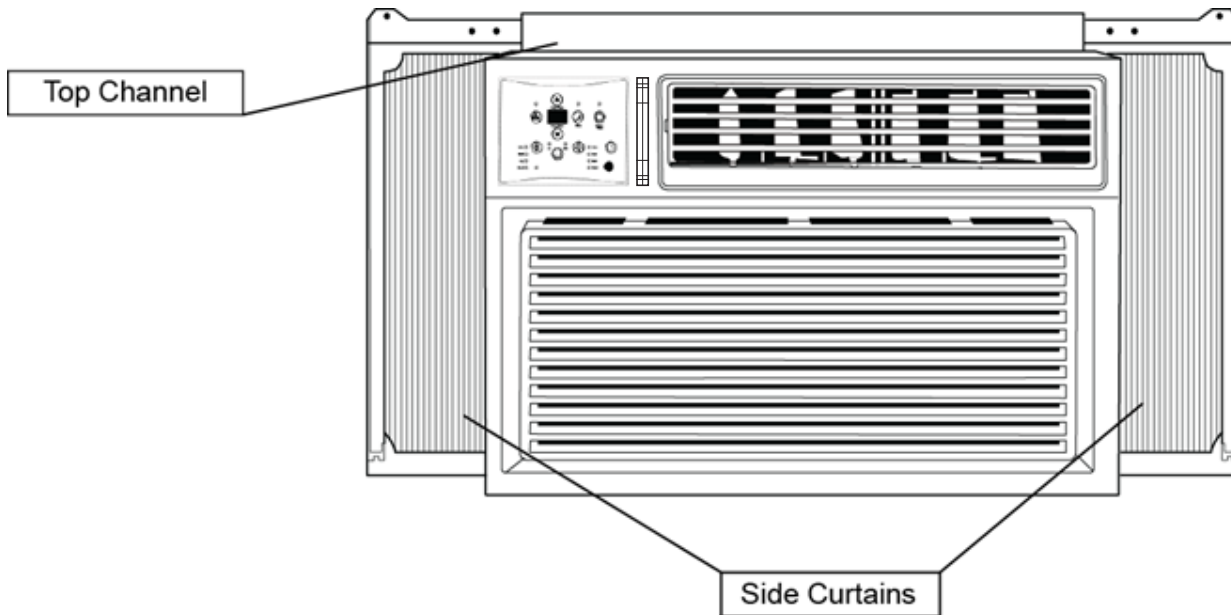
- If you received a damaged product, immediately contact the dealer that sold you the product.
- Read and follow this instruction manual carefully to help you install, use, and maintain your air conditioner.
- Read the troubleshooting section of this manual as it will help you diagnose and solve common issues.
- Visit us on the web at <http://www.koldfront.com> for product guides, additional troubleshooting resources, and up-to-date information. You can also find an interactive self-diagnostic tool at <https://support.edgestar.com>. If you need service, our friendly customer service representatives are available via email at **service@koldfront.com**.

## Parts Identification

### Front/Side View:



### Front View with Window Kit



\*\*Drawings for instructional purposes only. Your unit may look different. Installation and setup will remain consistent.

## Installation



**Note:** You may need to contact your electrician if your room's circuit is not able to power your unit.



**Note:** To avoid risk of injury and/or product/property damage, please take the following precautions:

- Two or more people are needed to properly handle and install the unit.
- Use proper lifting and carrying techniques.
- Before installation, make sure to inspect the window and sill to ensure they are able to handle the weight and size of this unit.
- Wearing protective gloves will help avoid injury from sharp edges.

Before you begin, make sure you have all the parts necessary for installation.

If you have multiple windows, choose one that is near an electrical outlet that will be able to provide sufficient power to your unit. See the power requirements listed on the product label printed on the side or back of your air conditioner.







The following measurements are required to properly install the air conditioner.







- **WAC18001W:** Window Width: 28" to 40 ½" | Minimum Height: 18 ½"
- **WAC25001W:** Window Width: 31" to 42" | Minimum Height: 19 ½"

## Tools Needed

- Phillips Screwdriver • Tape Measure • Level • Drill • 1/8" Drill Bit

## Parts Supplied

	7/16" Locking screw and flat washer for window panels	2 ea.
	3/4" (or 1/2") long hex-head screw	4
	Safety lock	1
	1/2" long screw and locknut	4 ea.
	3/4" long flat head bolt and locknut	2 ea.
	Support Bracket	2

	Sill Angle Bracket	2
	Long hex-head locking screw for top channel side retainer 5/16" long	10
	Foam Insert	2
	Window Sash	1
	Top Channel	1
	Foam Gasket	2

## Preparing the unit for window Installation

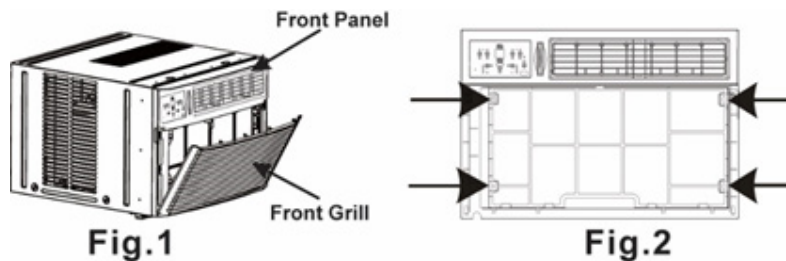
Please follow all installation instructions to avoid personal injury or damage. It is important that you save all original packaging materials in case you need to safely transport your air conditioner. Packaging materials must be stored away from children and in a safe manner.



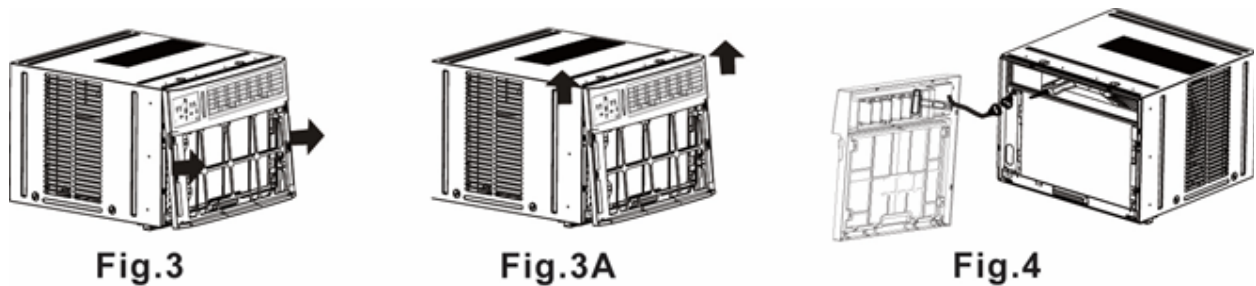
**Note:** The unit must be installed firmly and securely to prevent excessive noise and vibration.

## Removing Air Conditioner from Cabinet

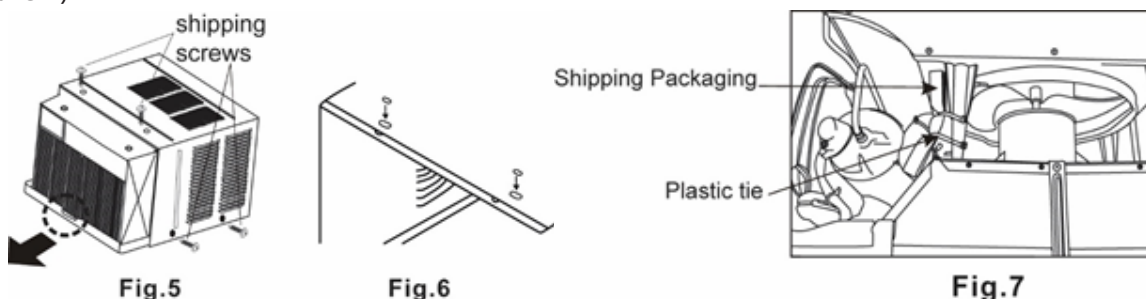
1. Pull down the front grill and remove the filter. (Figure 1)
2. Lift the front grill upwards to remove it and place it to the side.
3. Remove the four front screws. These will be needed to re-install the front panel. (Figure 2)



4. Push both sides of the metal cabinet to release the plastic tabs on each side of the front panel. (See Figure 3)
5. Lift the front panel off of the unit. (Figure 3A)
6. Disconnect the plug connecting the display panel to the unit and place the front panel to the side. (Figure 4)



7. Take out the shipping screws from the top and sides of the unit, if present. (Figure 5)
8. Hold the cabinet while pulling on the base pan handle, and carefully remove the unit.
9. Cover the two holes where the shipping screws were removed at the top of the unit with foam inserts. (Figure 6)
10. If the unit comes with internal packaging it must be removed prior to installing the air conditioner back into the cabinet. (Figure 7)

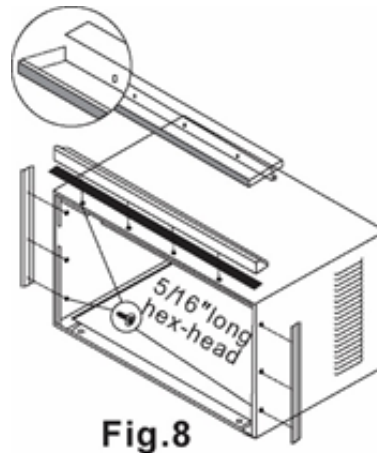




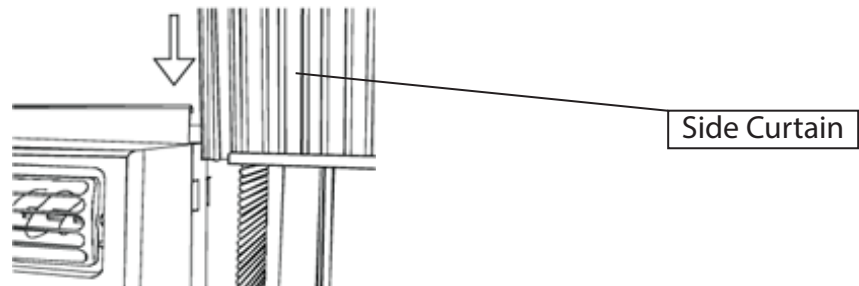
## Attaching the Top Channel and Side curtains

Make sure to attach the top channel and side curtains prior to installing the cabinet into the window.

1. Attach the foam gasket to the top channel above the holes as shown in Figure 8.
2. Install the side curtains and top channel with the 10 (5/16") screws provided.

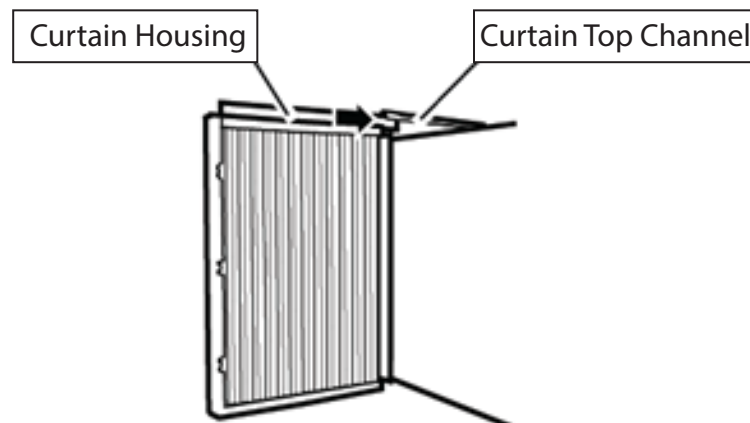


3. To attach the side curtains to the air conditioner, insert the right-hand curtain connector tab into the curtain housing channels on the air conditioner.



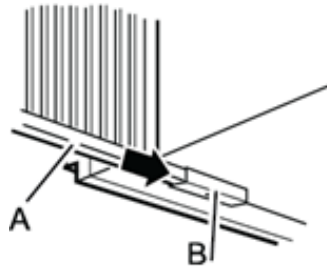
4. Insert the top of the right-hand curtain housing into the top curtain channel as shown below:

**Top View:**



5. Insert the bottom of the side curtain housing into the bottom channel on the air conditioner as shown below:

## Bottom View:



A: Curtain Housing  
B: Curtain Top Channel

6. Insert 2 7/16" locking screws (with washers) into the holes located on the top leg of the window curtain frame. Do not tighten fully; the leg should slide freely. These will be tightened later in the installation.

## Installing Unit into Window



**Note:** When choosing your window, make sure the power supply cord is within four (4) feet of a grounded 3-prong outlet.

Follow the steps listed below to install the air conditioner into the window.

1. Center empty cabinet into window:

- Check that lower rail of air conditioner cabinet is behind and against the back side of the window sill.
- Measure the distance between the right and left sides and adjust until the distance is equal.

2. Bring the window down temporarily, behind the top channel, to hold the cabinet in place.

3. Fasten the cabinet to the window sill by inserting two 3/4" (or 1/2" for some models) hex-headed screws into the holes in the bottom of the cabinet. (The user may want to pre-drill pilot holes into the window sill.)

4. Place the bottom rail foam gasket over the screws to cover the window sill.

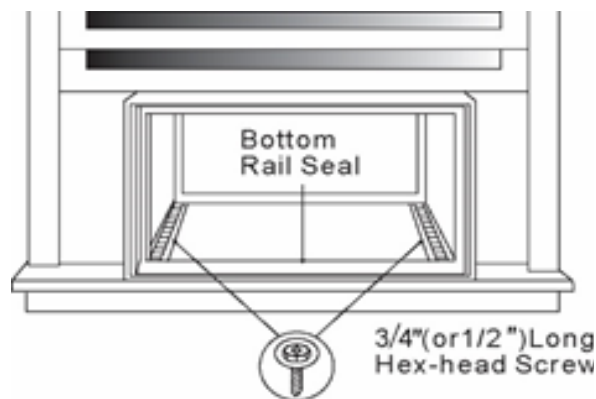
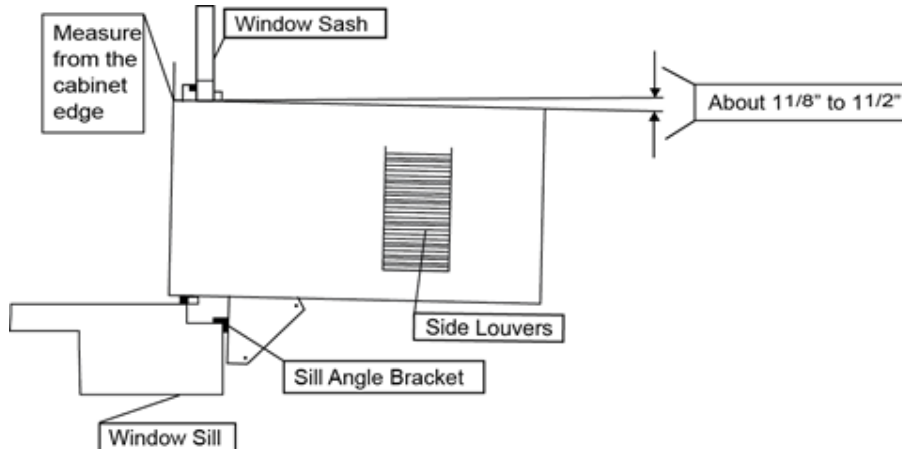


Fig.9

5. Check that the air conditioner cabinet is tilted back about 1 1/8" to 1 1/2", which should be about 3-4 degrees downward to the outside. After proper installation, condensation (depending on humidity) may occasionally drain from the cabinet outside the window.



## Installing the Support Bracket

1. Assemble the sill angle bracket to the support brackets at the marked position. (Figure 10B)

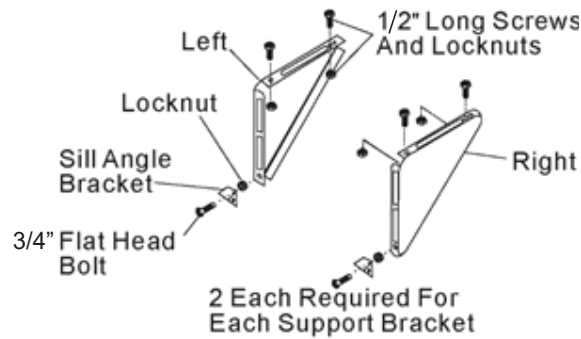


Fig.10B

2. Install the support brackets (with the sill angle brackets attached) to the correct holes in the bottom of the cabinet as shown below in Figure 11.

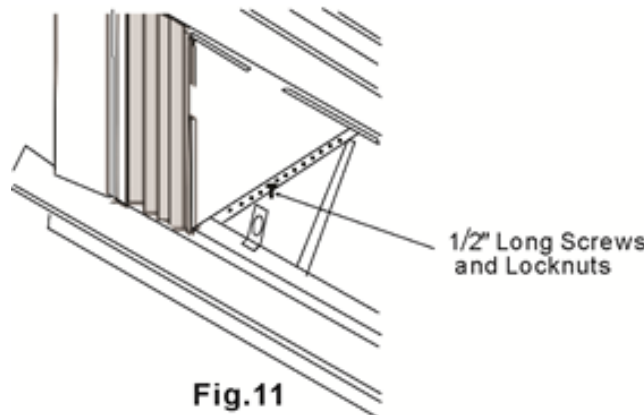


Fig.11

## Extending Side Curtains to Window Frame

1. Carefully raise the window to expose the window curtain panel locking screws. Loosen the screws so the curtains slide easily.
2. Extend the panels to fill the window opening completely. Tighten the locking screws on top. (Figure 12)
3. Close the window into the top channel.

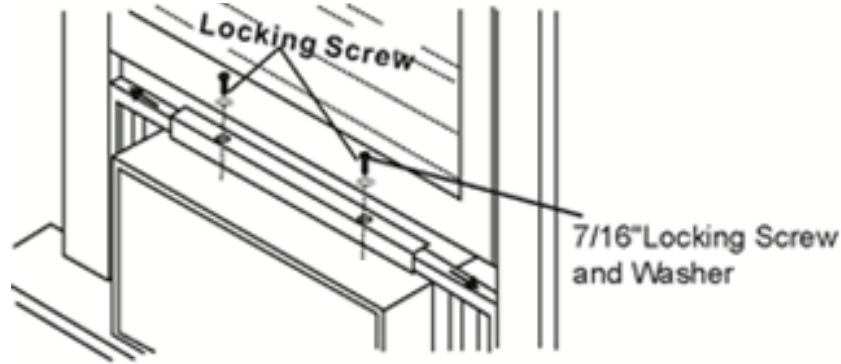


Fig.12

## Completing Installation

1. Trim the sash seal to fit window width. Insert seal into the space between the upper and lower sashes. (Figure 13)
2. Attach the right safety lock. (Figure 14)



Fig.13

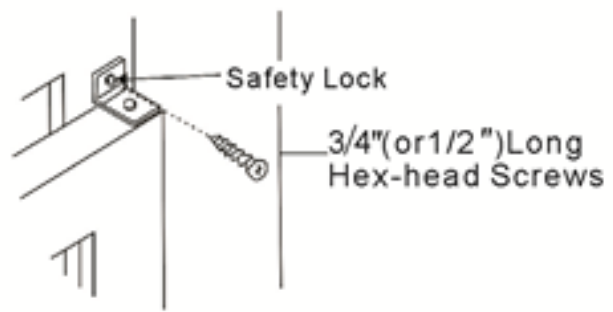


Fig.14

3. Lift the air conditioner and carefully slide it into the cabinet leaving 6 inches protruding.
4. DO NOT push on the controls or coils. Be sure that the chassis is firmly seated towards the rear of the cabinet.
5. To reattach the front of the unit reverse the steps listed in the "Removing the Front" section.
6. Plug into a grounded 3-prong outlet and press "Reset" on the power cord supply. Lastly, press the on/off button to power on the unit.

# Operation

## Control Panel Operation



**Power Button:** Press to turn the unit on or off



**Temperature Controls:** Press and hold until desired temperature is seen on the digital display. The temperature will be maintained anywhere between 62 °F (17°C) and 86°F (30°C).



**Mode:** When you press the button, a mode is selected in a sequence that goes from Auto, Cool, Dry, Fan Only, to Heat. The mode indicator will display the current mode.



**Timer:** Control the Auto Start/Stop Feature (see next page).



**Energy Saver:** The fan will continue to run for 3 minutes after the compressor shuts off. The fan then cycles on for 2 minutes at 10 minute intervals until the room temperature is above the set temperature, at which point the compressor turns back on and cooling starts.



**Sleep:** Set the unit to sleep mode. The selected temperature will increase by 2° F after 30 minutes, and another 2° F after another 30 minutes. This temperature will be maintained for 6 hours, and then the unit will revert to the previously programmed temperature.



**Fan Speed:** Each time you press the button, the fan speed changes in a sequence that goes from Auto, Low, Medium, to High.



**Check Filter:** The filter light will illuminate after 250 hours of operation. Clean the filter as indicated in the maintenance section of this manual, and press the button to reset the timer.

## Operating Modes:

### Auto Mode:

- When you set the unit to Auto mode it will automatically select Cooling, Heat, or Fan Only operation depending on the temperature selected and the current room temperature.
- Once the temperature you selected is achieved, the unit will automatically maintain the room temperature.
- In this mode the fan speed cannot be adjusted. It will start automatically at a speed calibrated to the actual room temperature.

### Cool Mode:

- When the unit is set to “Cool” mode it will cool the room to maintain the desired set temperature.
- When the desired temperature has been reached, the unit will automatically maintain the temperature.
- Press Up and Down buttons to adjust the desired temperature and press the Fan button to adjust fan speed.

### Fan Only Mode:

- Use this function only when cooling is not desired, such as for room circulation or to exhaust air (remember to open the vent). You can choose any speed you prefer.
- In this mode, the display will show the actual room temperature.
- In Fan Only mode, the temperature is not adjustable.

## Dry Mode:

- In this mode, the air conditioner will operate as a dehumidifier. Because the conditioned space is closed or sealed, some degree of cooling will continue to occur.
- The fan speed is set to Low automatically.

## Heat Mode:

- When the unit is set to "Heat" mode, it will heat the room to maintain the desired set temperature.
- When the desired temperature is reached, the unit will automatically maintain the temperature.
- The fan speed is not adjustable in heat mode



**Note:** Heat function is intended to provide supplemental heating in addition to an existing heat source. The heat function has a lower BTU rating than the cool mode and therefore does not treat the same square footage. The maximum heating capacity of the unit is 15° F above the ambient room temperature

## Additional Tips:

### To Use the Timer (Auto Start/Stop) Feature:

#### Setting an Auto Start:

While the unit is off, press the Timer button ONCE. The timer on indicator will illuminate. You then have 3-5 seconds to set the start time. Use the Up or Down buttons to change the time by 1/2 hour increments up to 10 hours or 1 hour increments up to 24 hours. The selected time will display for 5 seconds and then revert to the previous display.

#### Setting an Auto Stop:

While the unit is off, press the Timer button TWICE. The timer off indicator will illuminate. You then have 3-5 seconds to set the stop time. Use the Up or Down buttons to change the time by 1/2 hour increments up to 10 hours or 1 hour increments up to 24 hours. The selected time will display for 5 seconds and then revert to the previous display.

Turning the unit on or off at any time, or adjusting the timer setting to 0.0 will cancel the timer program.

### Digital Display:

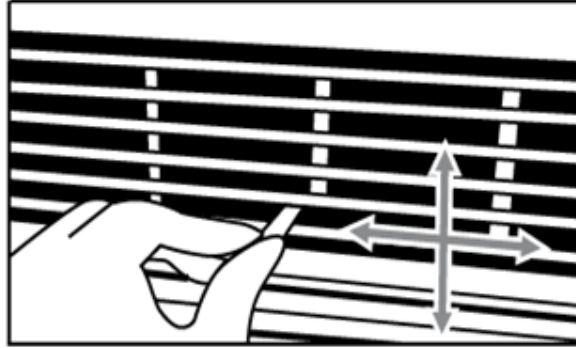
- Displays the set temperature in °C or °F and the Auto-Timer settings. While operating in Fan Only mode, it shows the current room temperature.
- To switch between °C and °F, press and hold the Up and Down Temp and Timer buttons at the same time for three (3) seconds.

### Auto-Restart:

If power to the unit is interrupted, the air conditioner will restart itself in its last used mode and settings once power is restored. The compressor will restart after 3 minutes.

## Air Louvers:

The 4-way air directional louvers allow you to direct the air flow Up, Down, Left, and Right throughout the room as needed. Use the center handles to adjust the air directional louvers side to side.



## Fresh Air Vent:

The Fresh Air Vent allows the air conditioner to:

1. Recirculate room air (Fig. A)
2. Draw fresh air in from the outside (Fig. B)
3. Recirculate room air and draw in fresh air from the outside (Fig. C)

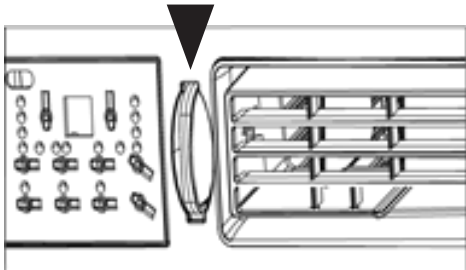


FIG A: Closed

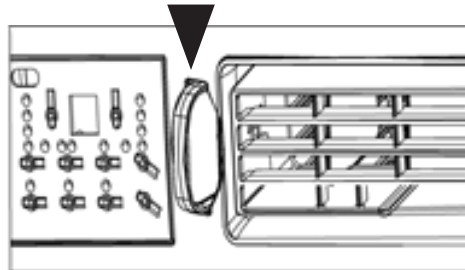


FIG B: Vent Open  
for Fresh Air

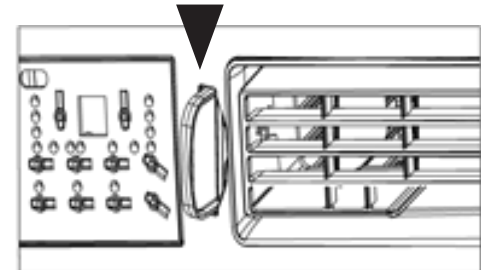


FIG C: Vent and  
Exhaust Open

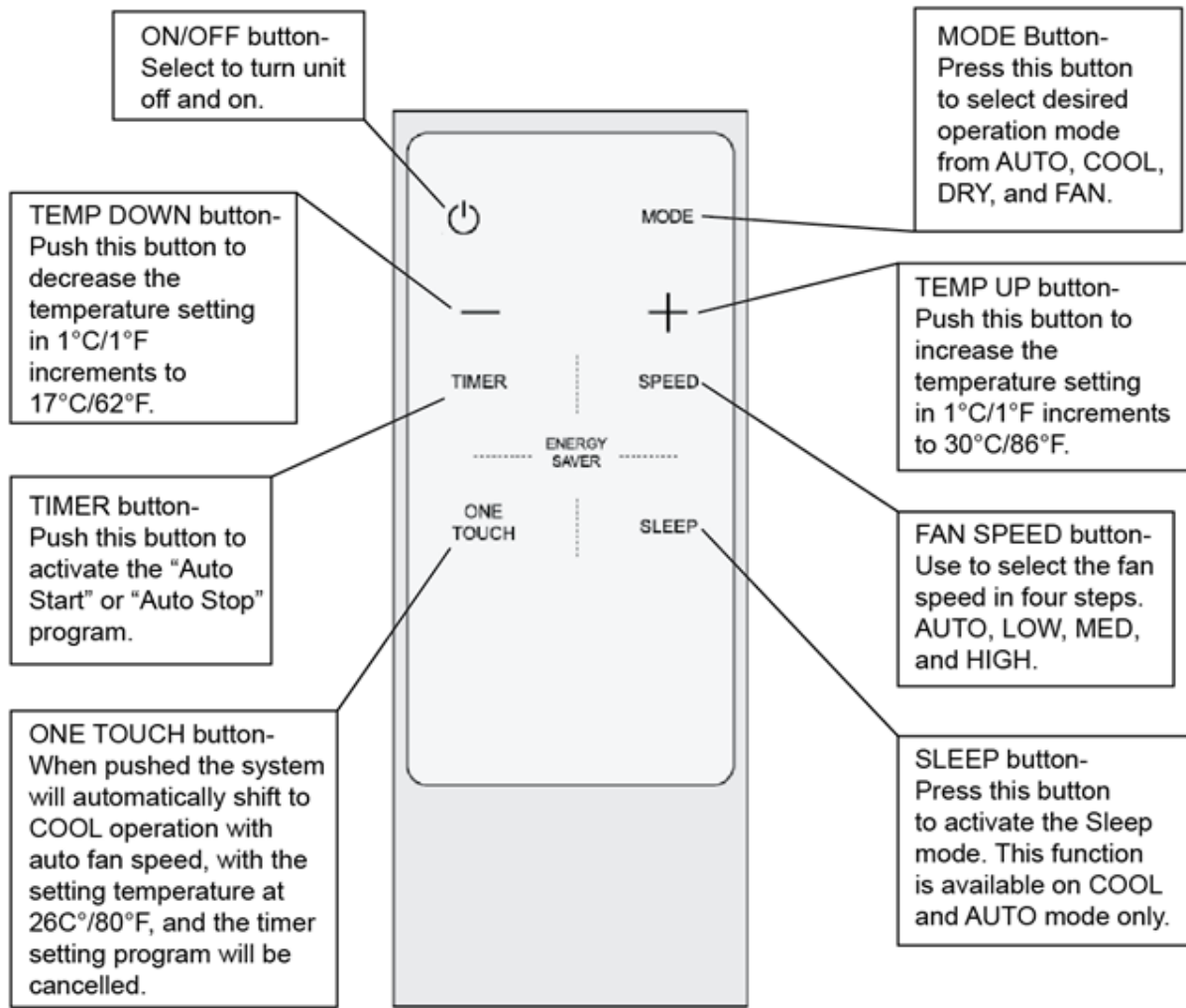


**Note:** The Cool mode has an automatic three (3) minute timed delay start if the unit is turned off and on quickly. This prevents overheating of the compressor and possible circuit breaker tripping. The fan will continue to run during this time.



**Note:** The Energy Saver feature will automatically turn on in Cool, Dry, and Auto modes.

## Remote Operation



**Note:** Illustration for instruction only. Your unit's remote control may look different.

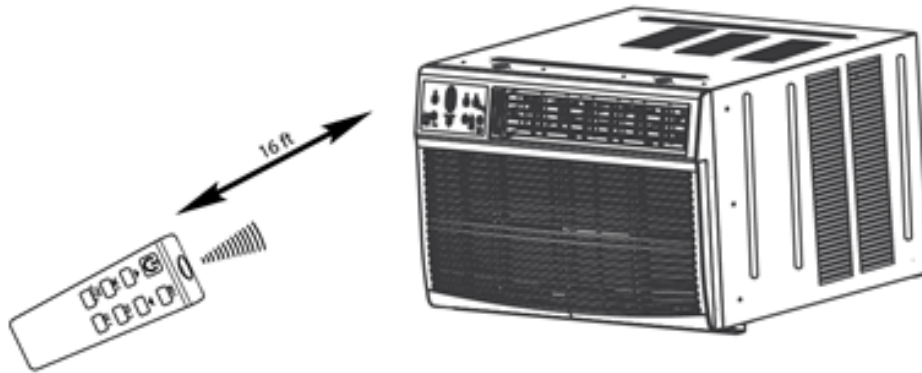


### Warning:

- This product contains a lithium button/coin cell battery which is a potential Chemical Burn Hazard. Keep away from children.
- Always completely secure the battery compartment. If the battery compartment does not close securely, stop using the product, remove the batteries, and keep away from children. If a new or used lithium button/coin cell battery is swallowed or enters the body, it can cause severe internal burns and can lead to death in as little as 2 hours. If you think batteries might have been swallowed or placed inside any part of the body, seek immediate medical attention.
- The cells should always be disposed of properly. Even used cells can cause injury.



- The remote control has an operating range of 16 ft from the air conditioner.
- The remote signal receiver/sensor is located on the control panel of the air conditioner.
- Reception of signal commands is confirmed by an audible beep.
- Direct sunlight can interfere with the infrared signal.
- To replace batteries, remove the back cover by pressing where indicated and sliding off the battery cover.



### Important:



- The air conditioner will not operate if curtains, doors, or other materials block the signals from the remote control to the unit.
- Do not expose the remote control to direct sunlight or heat or allow any liquid to fall onto it as this could adversely impact its performance.
- If the infrared receiver on the unit is exposed to direct sunlight, the unit may not function properly when operated by the remote control. Use the curtains to prevent sunlight from falling on the infrared receiver.
- If other electrical appliances react to the remote control, move them away from the unit.

### Important:



- This device complies with part 15 of the FCC Rules. Operation subject to the following two conditions: (1) This device may cause harmful interference to other devices, and (2) This device must accept any interference received, including interference that may cause undesired operation.
- This device has been tested and found to comply with the limits for a Class B digital device, pursuant to part 15 of the FCC Rules. These limits are designed to provide reasonable protection against harmful interference in a residential installation. This equipment generates, uses and can radiate radio frequency energy and, if not installed and used in accordance with the instructions, may cause harmful interference to radio communications. However, there is no guarantee that interference will not occur in a particular installation. If this equipment does cause harmful interference to radio or television reception, which can be determined by turning the equipment off and on, the user is encouraged to try to correct the interference by one or more of the following measures:
  - Reorient or relocate the receiving antenna.
  - Increase the separation between the equipment and receiver.
  - Connect the equipment into an outlet on a circuit different from that to which the receiver is connected.
  - Consult the dealer or an experienced radio/TV technician for help.

## Maintenance

Clean the air conditioner and filters regularly to maximize performance and efficiency, and prolong the unit's life. Be sure to always unplug the unit from the power outlet before cleaning.

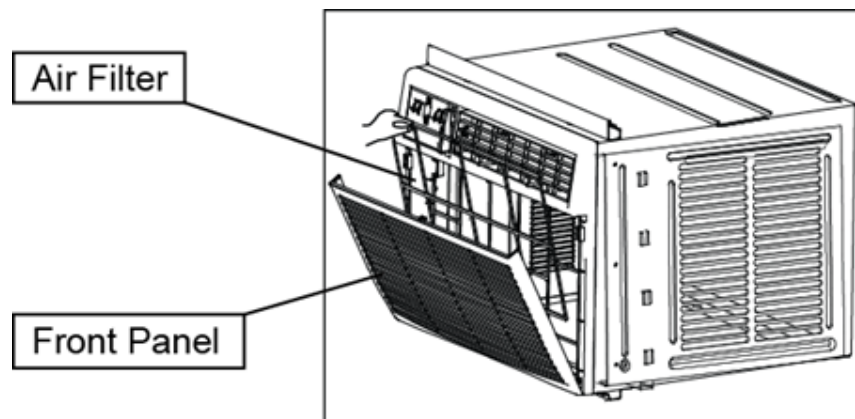
### Air Filter Cleaning

Check the air filter at least once a month to see if cleaning is necessary. Trapped particles in the filter can build up and potentially cause an accumulation of frost on the cooling coils. After 250 hours of operation, the Check Filter indicator will illuminate on the control panel as a reminder.

1. Push the vent handle to the "vent closed" position.
2. Open the front panel.
3. Grasp the filter at the center and pull up and out.
4. Wash the filter using liquid dishwashing detergent and warm water. Rinse the filter thoroughly.
5. Gently shake excess water from the filter. Be sure the filter is thoroughly dry before replacing it.
6. You may also gently clean the filter with a vacuum.
7. Reinstall the filter when it is thoroughly dry.
8. Press the Check Filter button on the Control Panel to reset the Check Filter timer.



**Warning:** Never use hot water over 40°C (104°F) to clean the air filter. Never attempt to operate the unit without the air filter.



**Winter Storage:** If you plan to store the air conditioner during the winter, remove it carefully from the window according to the installation instructions. Make sure to clean the unit thoroughly and cover it with plastic or return it to the original carton.

## Cabinet Cleaning

- Be sure to unplug the air conditioner to prevent shock or fire hazard. The cabinet and front may be dusted with an oil-free cloth or washed with a cloth dampened in a solution of warm water and mild dishwashing detergent. Rinse thoroughly and wipe dry.
- Never use harsh cleaners, wax, or polish on the cabinet front.
- Be sure to wring excess water from the cloth before wiping around the controls. Excess water in or around the controls may cause damage to the air conditioner.

## Normal Sounds

- High Pitched Chatter-High efficiency compressors may have a high pitched chatter during the cooling cycle.
- Sound of Rushing Air-At the front of the unit, you may hear the sound of rushing air being moved by the fan.
- Gurgle/Hiss-Gurgling or Hissing noises may be heard due to refrigerant passing through the evaporator during normal operation.
- Vibration-The unit may vibrate and make noise because of poor wall or window construction or incorrect installation.
- Pinging or Switching-Droplets of water hitting the condenser during normal operation may cause these sounds.

## Error Codes

### AS-Room temperature sensor error

- Unplug the unit and plug it back in.
- If the error repeats call for service.
- In Fan Only mode it will display "LO" or "HI"

### ES-Evaporator temperature sensor error

- Unplug the unit and plug it back in.
- If the error repeats, call for service.

### HS-Electric Heating sensor error

- Unplug the unit and plug it back in.
- If the error repeats, call for service.

## Energy Saving Guide

Follow these tips to get the best performance and efficiency from your air conditioner:

- Do not cover the air outlet (exhaust) while in use.
- Use the timer to operate the unit before it is needed. For example, set the timer to turn on the unit in cooling mode for three (3) or more hours to cool the room before you arrive. You may want to operate the unit all day if you live in a warmer climate.
- Minimize heat sources (direct sunlight, computers, servers, people, etc.) in the room.
- Close all windows and doors.
- Use the unit in a contained room. For example, a room with four walls and a ceiling, instead of a partitioned studio or warehouse.
- Make sure the unit is secure in the window with no gaps where air can escape.
- Minimize the amount of humidity in the room. Run the unit as a dehumidifier when necessary.
- To prolong the compressor's life, please wait at least three (3) minutes before turning the unit back on after shutting it off.
- Inspect and keep the air filters clean by cleaning regularly.
- Perform routine maintenance.

## Troubleshooting

Issue	Possible Cause	Solution
My air conditioner is not functioning at all.	The wall plug is disconnected.	Make sure the unit is plugged in.
	The LCDI power cord is tripped.	Press the Reset button on the LCDI cord.
	The house fuse is blown or the circuit breaker is tripped.	Replace the fuse with a time delay type or reset circuit breaker.
	The control panel is off.	Turn the control panel ON and set it to your desired setting.
	There is insufficient power.	Move the unit to another outlet. Check your circuit breaker. (Refer to the rating label on the back of the unit to determine the Amperage draw).
The air from the unit does not feel cold enough.	The room temperature is below 17°C (62°F).	Cooling may not occur until the room temperature rises above 17°C (62°F).
	The temperature sensing element is touching the cold evaporator coil, which is located behind the air filter.	Straighten the tube so it is not touching the coil.
	The compressor shut-off by changing modes.	Wait approximately 3 minutes and listen for the compressor to restart when it is set in the COOL mode.
The air conditioner is cooling but the room is too warm. Ice is forming on the cooling coil behind the decorative front.	The outdoor temperature is below 18°C (64°F).	To defrost the coil, set the unit to FAN ONLY mode.
	The air filter may be dirty.	Clean the filter. Refer to the maintenance section. To defrost set the unit to FAN ONLY mode.
	The unit needs to be defrosted.	To defrost the coil, set the unit to FAN ONLY mode. Then, set the temperature to a higher setting.
The air conditioner is cooling but the room is too warm. NO ice is forming on the cooling coil behind the decorative front.	The air filter is dirty and the air is restricted.	Clean the air filter. Refer to the maintenance section.
	The temperature is set too high.	Set the temperature to a lower setting.

Issue	Possible Cause	Solution
The air conditioner is cooling but the room is too warm. NO ice is forming on the cooling coil behind the decorative front.	The air directional louvers are positioned improperly.	Position the louvers for better air distribution.
	The front of the unit is blocked by drapes, blinds, furniture, or other objects that restrict air distribution.	Clear any blockage in front of the unit.
	There are open doors, windows, etc.	When entrances are open cold air escapes. Close doors, windows, etc.
	The unit was recently turned on in a hot room.	Allow additional time to remove "stored heat" from the walls, ceiling, floor, and furniture.
The air conditioner turns on and off rapidly.	The air filter is dirty and the air is restricted.	Clean the air filter.
	The outside temperature is extremely hot.	Set the FAN speed to a higher setting to bring air past the cooling coils more frequently.
There is noise when the unit is cooling.	Some air movement sound is normal.	If the unit is too loud, set it to a slower FAN setting.
	There is window vibration due to poor installation.	Refer to the installation instructions or check with the installer.
There is water dripping INSIDE when the unit is cooling.	The unit was improperly installed.	Tilt the air conditioner slightly to the outside to allow water drainage.
There is water dripping OUTSIDE when the unit is cooling.	The unit is removing a large quantity of moisture from a humid room.	This is normal during excessively humid days.
The remote is not sensing.	The remote control is not located within range of the unit.	Place the remote control within 16 feet and a 180 degrees radius of the front of the unit.
	The remote control signal is obstructed.	Remove the obstruction.
The room is too cold.	The temperature is set too low.	Increase the set temperature.

## Specifications

Product Type	Window Air Conditioner with Supplemental Heater	Window Air Conditioner with Supplemental Heater
Model	<b>WAC18001W</b>	<b>WAC25001W</b>
Voltage/Freq	208-230V / 60Hz	208-230V / 60Hz
BTUs Cooling	18,200 / 18,500	24,700 / 25,000
Current Cooling	8.3 / 7.7A	12.4 / 11.3A
BTUs Heating	13,000 / 16,000	13,000 / 16,000
Current Heating	20.0 / 22.0A	20.0 / 22.5
Color	White	White
Coolant	R410A: 28.92 oz.	R410A, 34.22 oz.
Timer	24 Hour	24 Hour
Dimensions (W x D x H)	23 5/8" x 25 3/8" x 17 15/16"	26 1/2" x 26 9/16" x 18 5/8"
Net Weight	117.5 lbs.	136 .5 lbs.



**Note:** Technical data and performance information are provided for reference only. Specifications are subject to change. Check the rating label on the air conditioner for the most accurate information.

# EdgeStar Limited Warranty

## Full Two-Year Parts and Labor

This product is warranted by EdgeStar and is subject to any conditions set forth as follows:

### WHAT IS COVERED:

For a period of TWO (2) YEAR from the date of original retail purchase, EdgeStar will repair or replace any part free of charge including labor that fails due to a defect in materials or workmanship. Labor will be performed free of charge at an authorized EdgeStar repair facility and EdgeStar will supply new, rebuilt, or refurbished parts free of charge. EdgeStar may request a defective part be returned in exchange for the replacement part. All replacement parts or products will be new, remanufactured, or refurbished. All products and parts replaced by EdgeStar under warranty service become the property of EdgeStar. After the 24 month period, EdgeStar will no longer be responsible for labor charges incurred or replacement parts. All defective products and parts covered by this warranty will be repaired or replaced on a mail-in basis to an EdgeStar authorized repair facility.

This warranty applies to the original purchaser only, and only covers defects in workmanship experienced during operation of the product under normal service, maintenance, and usage conditions. This warranty applies to the purchase and use of this product in residential settings within the contiguous United States of America.

### Exceptions: Commercial or Rental Use Warranty

90 days labor and parts from date of original purchase. No other warranty applies.

### WHAT IS NOT COVERED- The following limitations apply to the coverage of this warranty. This warranty does not cover:

- Labor charges for installation, setup, or training to use the product.
- Shipping damage, and any damage caused by improper packaging for shipment to an authorized service center, and any damaged caused by improper voltage or any other misuse, including abnormal service, handling, or usage.
- Cosmetic damage such as scratches and dents.
- Normal wear and tear on parts or replacement of parts designed to be replaced, e.g. filters, cartridges, batteries.
- Service trips to deliver, pick-up, or repair, install the product, or to instruct in proper usage of the product.
- Damages or operating problems resulting from misuse, abuse, operation outside environmental specifications, uses contrary to instructions provided in the owner's manual, accidents, acts of God, vermin, fire, flood, improper installation, unauthorized service, maintenance negligence, unauthorized installation or modification, or commercial use.
- Labor, service transportation, and shipping charges for the removal and replacement of defective parts, beyond the initial 12 month period.
- Products that have been modified to perform outside of specifications without the prior written permission of EdgeStar.
- Products lost in shipment, or theft.
- Products sold AS IS or from an unauthorized reseller.
- Products that have had their serial numbers removed, defaced, or with serial numbers that have been invalidated.
- Damage from other than normal household use.
- Replacement or repair of household fuses, circuit breakers, wiring or plumbing.
- Damage to personal property from use of product.
- Damage from service other than from an authorized EdgeStar repair facility.
- Hoses, knobs, lint trays and all attachments, accessories and disposable parts.
- Any service charges not specifically identified as normal such as normal service area or hours.
- Any special or consequential damages arising out of the use of the product.

### OBTAINING WARRANTY SERVICE:

If you believe your product is defective, contact EdgeStar Customer Support for troubleshooting assistance and warranty service at [www.edgestar.com](http://www.edgestar.com) or call 1-866-319-5473. Before contacting Customer Support you are required to have your model number, serial number, and proof of purchase available upon request. Once an EdgeStar authorized representative has confirmed that your product is defective and eligible for warranty service, the product must be returned to an EdgeStar authorized repair facility. EdgeStar is not responsible for damage resulting from shipper mishandling or improper packaging. Do not return a defective product to the place of purchase. Products received without a return authorization number will be refused.

THIS WARRANTY IS IN LIEU OF ANY OTHER WARRANTY, EXPRESS OR IMPLIED, INCLUDING WITHOUT LIMITATION, ANY WARRANTY OF MERCHANTABILITY OR FITNESS FOR A PARTICULAR PURPOSE. TO THE EXTENT ANY IMPLIED WARRANTY IS REQUIRED BY LAW, IT IS LIMITED IN DURATION TO THE EXPRESS WARRANTY PERIOD ABOVE. NEITHER THE MANUFACTURER NOR ITS DISTRIBUTORS SHALL BE LIABLE FOR ANY INCIDENTAL, CONSEQUENTIAL, INDIRECT, SPECIAL, OR PUNITIVE DAMAGES OF ANY NATURE, INCLUDING WITHOUT LIMITATION, LOST REVENUES OR PROFITS, OR ANY OTHER DAMAGE WHETHER BASED IN CONTRACT, TORT, OR OTHERWISE. IN NO EVENT AND UNDER NO CIRCUMSTANCE OF ANY TYPE OR KIND SHALL THE SELLER, MANUFACTURER AND/OR DISTRIBUTOR BE LIABLE FOR ANY REASON, UNDER ANY THEORY, FOR MORE THAN THE BASIC COST OF THE PRODUCT TO THE PURCHASER OR END USER. SOME STATES DO NOT ALLOW THE EXCLUSION OF INCIDENTAL OR CONSEQUENTIAL DAMAGES, SO THE ABOVE EXCLUSION MAY NOT APPLY TO YOU. THIS WARRANTY GIVES YOU SPECIFIC LEGAL RIGHTS. YOU MAY HAVE OTHER RIGHTS THAT VARY FROM STATE TO STATE.

