

LSES6338F

6.3 cu. ft. Smart wi-fi Elec. Slide-in Range with ProBake Convection® and EasyClean®



Large Capacity Oven (6.3 cu. ft.)

Soft Close Range Door

Air Fry Setting

InstaView® Window (WideView)

Air Sous Vide

EasyClean®

ProBake Convection™

Storage Drawer

CAPACITY	
Oven Capacity (cu. ft.)	6.3
Storage Drawer Capacity (cu. ft.)	0.8
COOKTOP	
Type	Radiant
No of Radiant Elements	5
Element Size/Wattage - Left Rear	1800 (8") Bridge heater (0.8KW)
Element Size/Wattage - Right Rear	1200 (6")
Element Size/Wattage - Left Front	1800 (8") Bridge heater (0.8KW)
Element Size/Wattage - Right Front	3600 (12") / 2400 (9") / 1200(6") (UltraHeat+™)
Center (Warming Zone)	100W (6")
Hot Surface LED Indicator	Yes
OVEN FEATURES	
Broil Element (Watt)	Sheath 4200 / 6 Pass
Convection (Watt)	Sheath 2500W
Convection Fan	Dual Speed (High/Low)
Convection Type	ProBake Convection™
Oven Modes	Bake, Conv. Bake, Conv. Roast, Broil High, Broil Low, Warm, Proof, Frozen meal, Air fry, Air sous-vide, EasyClean, SelfClean
Oven Control Features	Glass Touch
Convection Conversion	Yes
EasyClean®	Yes (10 mins)
Self Clean	Yes
GoCook Smart Oven Light	Yes (1 Light)
No. of Rack Positions	7
Door Lock	Yes
Automatic Safety Shut-Down	After 12 hours
DRAWER FEATURES	
Type	Storage (no Handle)
CONTROL	
Cooktop Control Type	Front Control Knobs
Oven Control Type	Glass Touch
Back lighting	Yes
Knob lighting	Yes
Display	LED / White
Language	English
Clock	12 hr or 24 hr (option)
Kitchen Timer	Yes
Timed Cook	Yes
Temperature Unit of Measure	Fahrenheit / Celsius
Cooking Complete Reminder Volume	Beeper (Hi, Lo, Off)
Certified Sabbath mode	Yes

APPEARANCE

All Available Colors	Stainless Steel
Knobs	Stainless Steel
Handle	Stainless Steel
Printproof™ Finish	Yes
Oven Door Feature	InstaView + WideView™
Cooktop Finish	Black Ceramic + Grey Pattern

SMART FEATURES

ThinQ® (Wifi Enabled)	Yes
Check & Control	Yes
Voice Control	Yes
Smart Recipe (3rd Party Recipe App)	Innit, Sidechef
SmartDiagnosis™	Yes

DIMENSIONS / CLEARANCES / WEIGHT

Shipping Weight (lbs)	213.3lb (96.75kg)
Product Weight (lbs)	175.6lb (79.65kg)
Cabinet Width (in)	30"
Overall Depth (in) - without handle	26 7/8"
Overall Depth (in) - including handle	29 3/8"
Overall Height (in)	37 2/8"
Overall Width (in)	29 7/8"
Oven Interior Dimensions (in) (W x H x D)	24.9" x 21.4" x 20"
Height to Cooking Surface (in)	36"
Drawer Dimensions (in) (W x H x D)	22.2" x 4.5" x 16.4"
Carton Dimensions (in) (W x H x D)	32.5" x 44" x 30.5"

POWER/RATINGS

Amp Rating at 208V	49.1A
Amp Rating at 240V	56.7A
KW Rating at 208V	10.2kW
KW Rating at 240V	13.6kW
Required Power Supply (amp)	40A

ACCESSORIES

Gliding Rack	1
Heavy Duty Rack	2
Air Fry Rack	1
Temp Probe	Yes
Spray Bottle	Yes
Cooktop Cream/ Cleaner	Yes

LIMITED WARRANTY

Parts & Labor	2 Years
---------------	---------

UPC CODES

LSES6338F (Stainless Steel)	195174020593
-----------------------------	--------------

LSES6338F

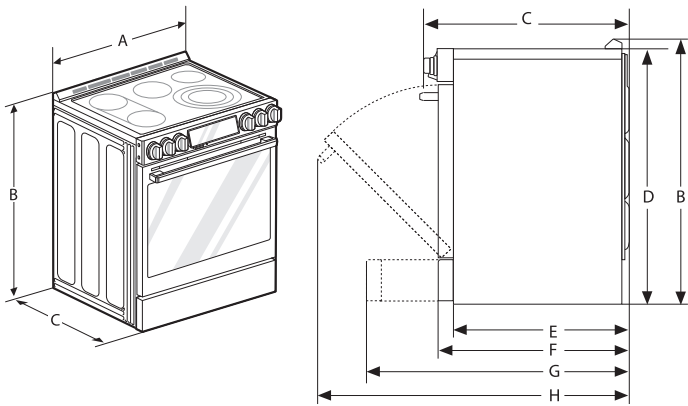
6.3 cu. ft. Smart wi-fi Elec. Slide-in Range with ProBake Convection® and EasyClean®

QUICK INSTALL & CLEARANCES

For full installation directions/clearances please refer to the corresponding User Manual and Installation Guide.

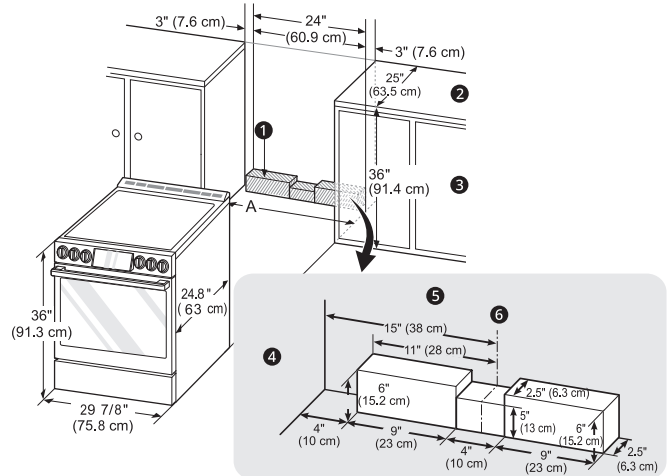
DIMENSIONS / CLEARANCES

A	Width	29 7/8"
B	Height	37 1/4"
C	Depth (Includes Door Handle)	29 3/8"
D	Height (Excludes Vent Trim)	36"
E	Depth (Includes only the product body that is loaded into the cabinet. Excludes door, drawer, and handles)	24 3/4"
F	Depth (Excludes Door Handle)	26 7/8"
G	Depth when drawer is fully opened	36 1/16"
H	Depth when door is fully opened	48 5/8"

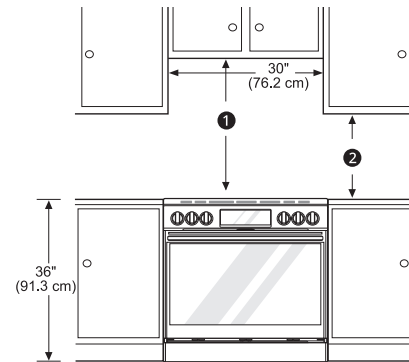


CLEARANCES

- 1 Acceptable electrical outlet area
 - 2 Normal counter top depth
 - 3 Counter top height
 - 4 Cabinet
 - 5 Wall
 - 6 Center
- A Cabinet opening = 30"



MINIMUM DIMENSIONS



POWER / RATINGS

Amp Rating at 208V	49.1A
Amp Rating at 240V	56.7A
KW Rating at 208V	10.2kW
KW Rating at 240V	13.6kW
Required Power Supply (amp)	40A

Electrical Requirements

- This appliance must be installed and grounded on a branch circuit by a qualified technician in accordance with the National Electrical code ANSI/NFPA NO. 70 - latest edition.
- All wiring should conform to Local and NEC codes. This range requires a single-phase, 3 wire, A.C 120/208 V or 120/240 V 60 Hz electrical system. Use only a 3-conductor or a 4-conductor UL - listed range cord with closed-loop terminals, open-end spade lugs with upturned ends or similar termination. Do not install the power cord without a strain relief.
- A range cord rated at 40 amps with 120/240 minimum volt range is required. If a 50 amp range cord is used, it should be marked for use with 13/ 8" diameter connection openings. This appliance may be connected by means of a conduit or power cord. If a conduit is being used, refer to "3-Wire Connection: Conduit" or "4-Wire Connection: Conduit" sections.