



Manitowoc
Foodservice
Parts Manual

For more Parts Information:

<https://manitowocfsg.sysonline.com/Default.aspx>

TABLE OF CONTENTS

Manitowoc Foodservice [Updated: Sep. 30, 2013]

Manitowoc - Ice & Related

Parts Catalog

Ice Machine

RFS Series

RFS Model - Air & Water

RFS0650

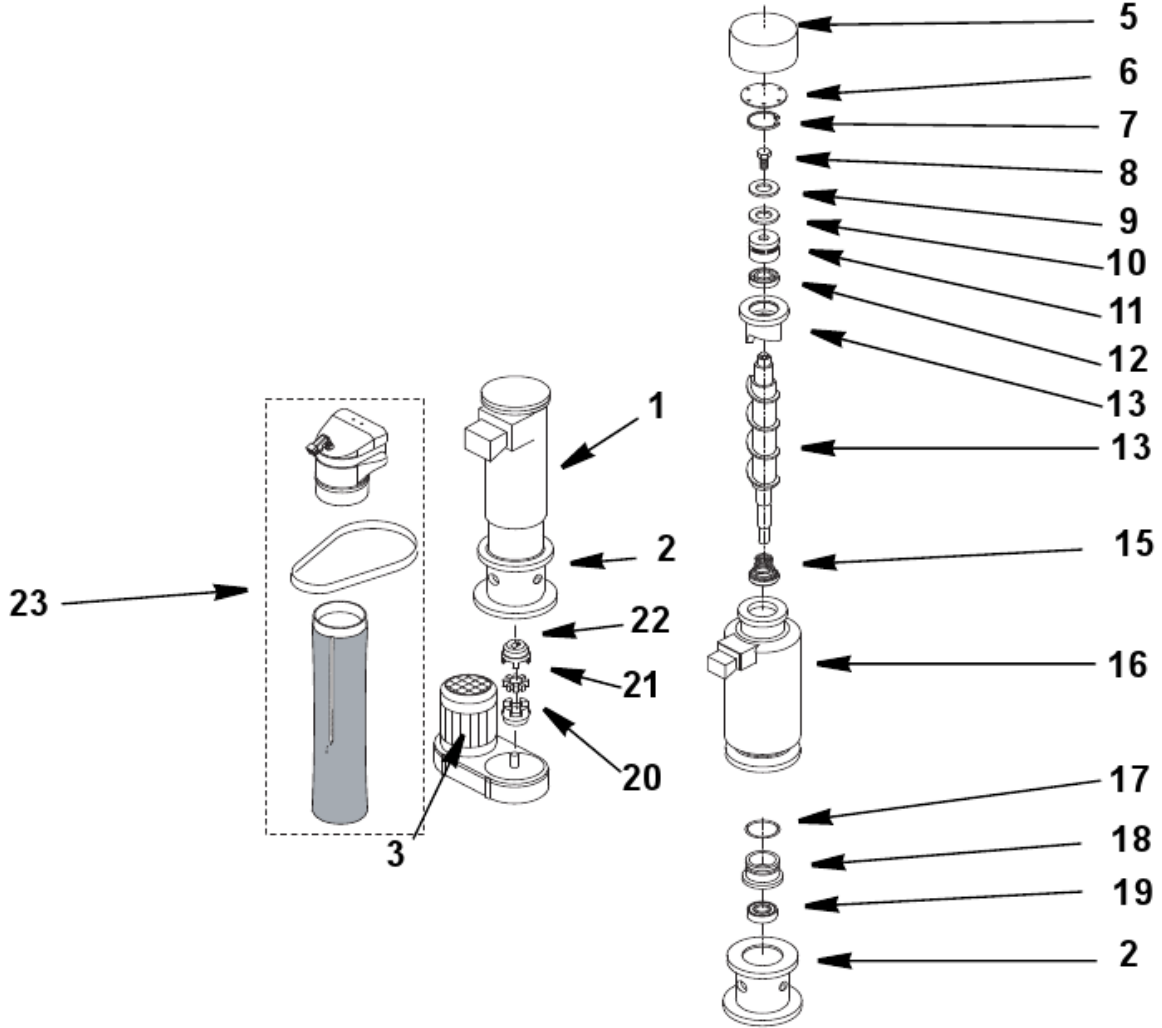
RFS0650 Evaporator Assembly 1

RFS0650 Evaporator Compartment 3

RFS0650 Panels 6

RFS0650

RFS0650 EVAPORATOR ASSEMBLY



RFS0650

RFS0650 EVAPORATOR ASSEMBLY

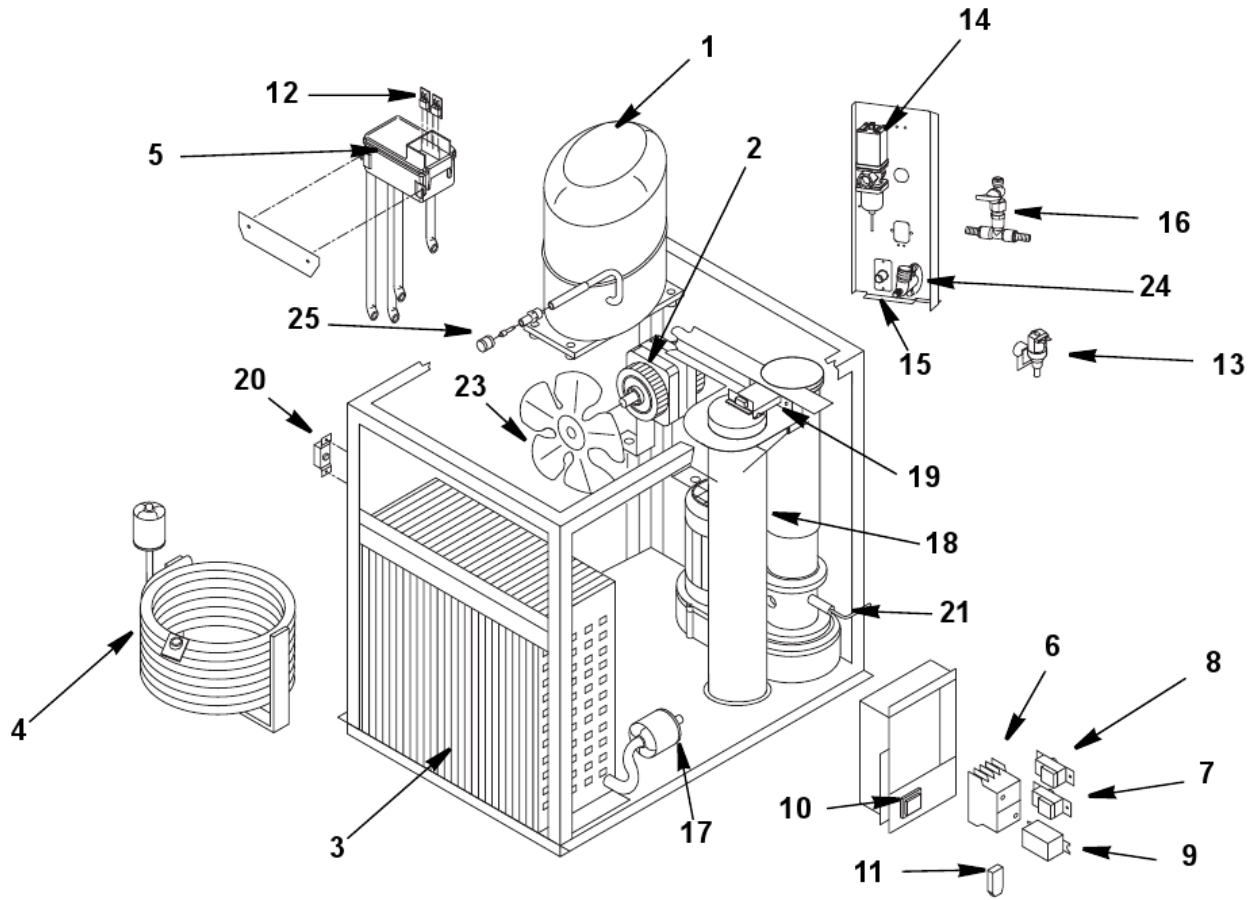
#	PART #	DESCRIPTION	QTY	Note
1	000005683	Evaporator Assembly		
2	000005694	Evaporator Foundation		
2a	000012459	Bolt - Evaporator Foundation - M6 x 25mm		
3		Gear Motor Assembly		
3a	000008947	Gearmotor Assembly - 220V/60 Hz/1 Ph		
3b	000011126	Gearmotor Assembly - 115V/60 Hz/1 Ph		
4		Gear Motor Capacitor		
4a	000007825	Gearmotor Capacitor - 115V/60 Hz/1 Ph		
4b	000007822	Gearmotor Capacitor - 230V/50 Hz/1 Ph		
4c	000007823	Gearmotor Capacitor - 220V/60 Hz/1 Ph		
5	000005733	Insulating Cap		
6	000005645	Bearing Cap		
7	000005758	Snap Ring		
8	000005600	Auger Bolt		
9	000005610	Bearing Shim		
10	000005651	Self Lubricating Disc		
11	000005606	Upper Bearing		
12	000005736	Upper O-ring		
13	000005648	Cutter Head		
14	000005596	Auger		
15	000005778	Water Seal		
16	000005683	Evaporator Assembly		
17	000005584	Lower O-ring		
18	000005781	Water Seal Retainer		
19	000005603	Lower Bearing		
20	000005643	Flex Jaw Coupling Lower		
21	000005644	Flex Jaw Coupling Spider		
22	000005572	Flex Jaw Coupling Upper		
23	000011622	Ice Chute with Bulb Holder		
23	000011632	Ice Chute with Bulb Holder and Bin Thermostat		
23	000007906	Ice Exhaust with Microswitch		
23	000011623	Bin Thermostat		[1]
23	000007907	Locking Strip		
23	000007914	Cross Bar		
23	000007915	Ice Chute Assembly		[2]
23	000006540	Bulb Holder		[2]
23	000007913	Ice Outlet Pipe Assembly		[2]
24	000008642	Ice Chute Extension		

PART NOTES:

- [1] - Before Serial Number M06005262012 must order 000011632 (bin thermostat AND ice chute with bulb holder).
- [2] - Discontinued

RFS0650

RFS0650 EVAPORATOR COMPARTMENT



RFS0650

RFS0650 EVAPORATOR COMPARTMENT

#	PART #	DESCRIPTION	QTY	Note
1		Compressor		
1a	000008549	Compressor - 115V/60 Hz/1 Ph		
1b	000008970	Compressor - 230V/60 Hz/1 Ph		
2		Condenser Fan Motor		
2a	000008302	Fan Motor - 115V/60 Hz/1 Ph		
2b	000005579	Fan Motor - 208-230V/50-60 Hz/1 Ph		
2c	000012281	Bracket - Fan Motor		
3	000005631	Air Condenser		
4	000008299	Water-cooled Condenser		
5	000012451	Water Reservoir Assembly		[1]
6		Compressor Contactor - See Note for Serial Break		
6a	000008558	Compressor Contactor - 115V/60 Hz/1 Ph		[2]
6b	000012279	Compressor Contactor - 115V/60 Hz/1 Ph		[3]
6c	000008462	Compressor Contactor - 208-230V/60 Hz/1-3 Ph		
7	000006076	Low Pressure Safety Switch		
8	000005765	Bin Thermostat		[4]
9		Fan Cycle Control		
9a	000006060	Fan Cycle Control - 115-230V/50-60 Hz/1 Ph		
9b	000006191	Fan Cycle Control - 208-230V/50-60 Hz/1 Ph		
10	000005763	ON/OFF Rocker Switch		
11		Electronic Noise Reducer		[5]
11a	000005678	Electronic Noise Reducer		[6]
11b	000005680	Electronic Noise Reducer		[7]
12	000005760	Float Microswitch (each)		
13		Water Inlet Valve		
13a	000006058	Water Inlet Valve - 220V/60 Hz/1 Ph		
13b	000006063	Water Inlet Valve - 115V/60 Hz/1 Ph		
14	000008296	Water Regulating Valve		
15	000008300	Drain Manifold - 208-230V/60 Hz/1 Ph		
16	000008552	Evaporator Drain Tap		
17	000005676	Drier		
18	000005730	Ice Chute		
19	000005762	Ice Chute Safety Switch		
20	000008557	High Pressure Safety Switch		
21	000011883	Rotation Sensor		
22	000008548	Expansion Valve		
23		Condenser Fan Blade		
23a	000005689	Condenser Fan Blade - 208-230V/60 Hz/1 Ph		
23b	000006190	Condenser Fan Blade - 115V/60 Hz/1 Ph		
24	000008300	Drain Manifold - 208-230V/60 Hz/1 Ph		
25		Access Valve		
25a	000006408	Fitting - Access Valve		

RFS0650

RFS0650 EVAPORATOR COMPARTMENT

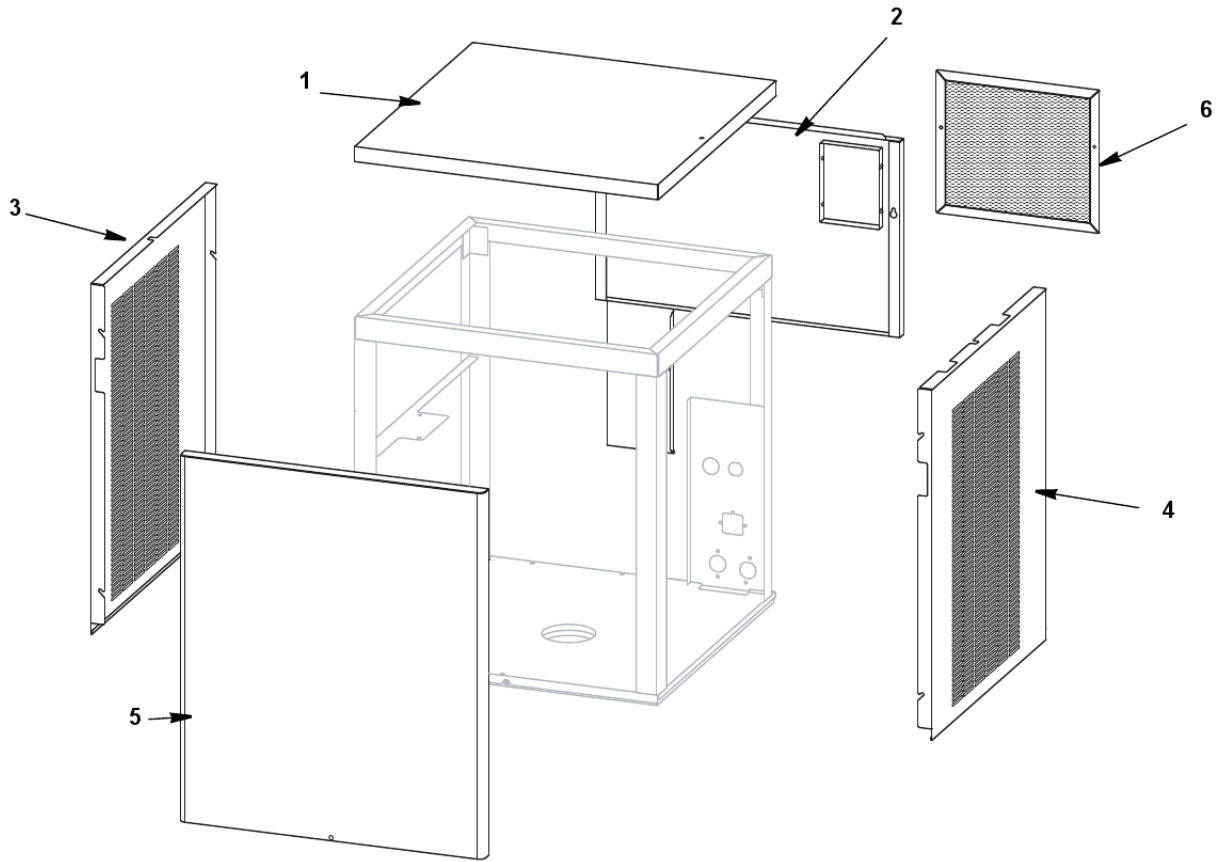
#	PART #	DESCRIPTION	QTY	Note
25b	000006409	Core - Access Valve		
25c	000006410	Cap - Access Valve		
26		Screws		
26a	000009040	Screw - M5 x 10TC		[8]
26b	000009041	Screw - 3.9 x 13TC		[8]
27		Backflow Preventer		
27a	000009971	Backflow Preventer 60 Hz - 3/8"		
27b	000009972	Backflow Preventer 50 Hz - 3/4"		

PART NOTES:

- [1] - Includes Reservoir, Hoses, Clamps, Drain Tap & Two Microswitches
- [2] - Before Serial Number M0645362013
- [3] - After Serial Number M0645362013
- [4] - Refer to Evaporator Assembly Discontinued
- [5] - Radio Interference Filter
- [6] - 230V/50 Hz
- [7] - 230V/60 Hz
- [8] - No Longer Available

RFS0650

RFS0650 PANELS



RFS0650

RFS0650 PANELS

#	PART #	DESCRIPTION	QTY	Note
1	000008759	Top Panel		
2		Back Panel - See Note for Usage		
2a		115-220V/60 Hz/1 Ph		
	000009103	Back Panel - Air-cooled		[1]
	000009104	Back Panel - Water-cooled		[2]
2b		230V/50 Hz/1 Ph		
	000008836	Back Panel - Air-cooled or Water-cooled		[3]
	000008971	Back Panel - Water-cooled		[4]
3	000008768	Left Side Panel		
4	000008757	Right Side Panel		
5	000008755	Front Panel Assembly		
6	000009102	Air Filter		
7	000011923	Cartoning		

PART NOTES:

- [1] - 60 Hz - Air-cooled
- [2] - 60 Hz - Water-cooled
- [3] - 50 Hz - Air-cooled
- [4] - 50 Hz - Water-cooled