

KEY FEATURES:

- Stainless Steel Construction
- Curved Glass Canopy
- Quiet Working Speed
- 50W Halogen Lamps
- Dishwasher-Safe Mesh Filters
- 3 Speed Stainless Steel Buttons
- Easy Quick-Lock Installation



MODELS MH00436G

SIZES 36in

NET WIDTHS 35-3/16in

MAX. CFM 750

MAX. SONES 6

DUCTING

top 6in round
back n/a
recirculating yes

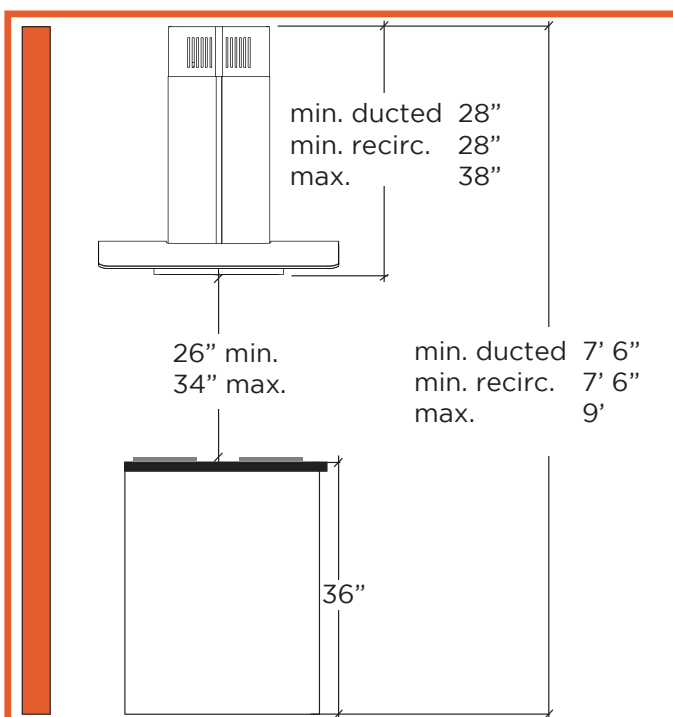
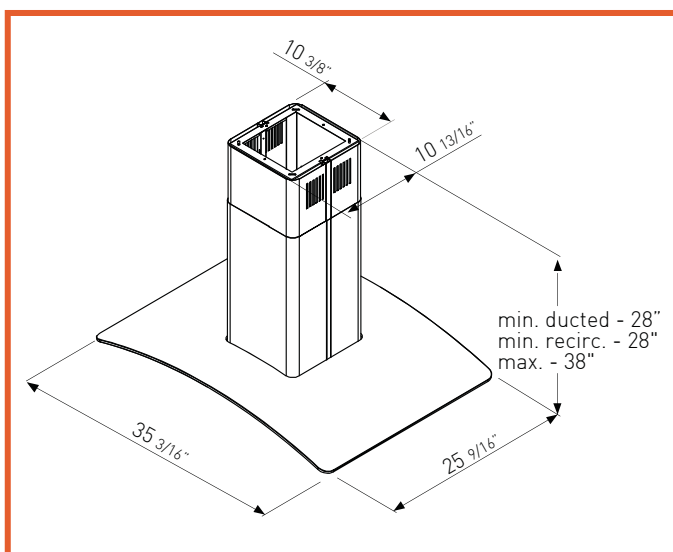
ACCESSORIES

recirculating rhrk004S
ext. duct cover rhex004S (up to 12' ceiling)

AC INPUT 120v, 60hz

AC POWER max. 426w @ 3.5a

INSTALL HEIGHT* 26in - 34in



*install height is the distance between top of cooking surface and bottom of hood.

Specifications subject to change without notice.