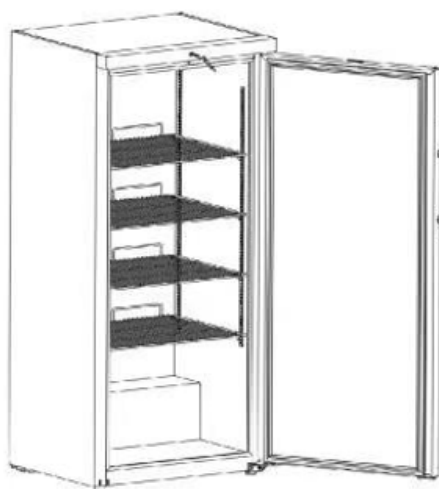




UPRIGHT FREEZER CONGÉLATEUR SUR PIED



Model/ Modèle :
UFM19W AFM19W

User Manual/Mode d'Emploi

BEFORE USE, PLEASE READ AND FOLLOW ALL SAFETY RULES AND OPERATING INSTRUCTIONS

AVANT UTILISATION, VEUILLEZ LIRE ET SUIVRE TOUTES LES RÈGLES DE SÉCURITÉ ET LES INSTRUCTIONS D'UTILISATION

Write Model & Serial Number here:

**Accucold Division of Felix Storch, Inc.
An ISO 9001:2015 registered company
770 Garrison Avenue
Bronx, NY 10474
www.accucold.com**

TABLE OF CONTENTS

Safety Information	3
Appliance Safety	3-4
Location of Parts	5
Installing your Upright Freezer	6-7
<i>Unpacking your Upright Freezer</i>	6
<i>Proper Air Circulation</i>	6
<i>Electrical Requirements</i>	6
<i>Leveling your Upright Freezer</i>	6
<i>Door Alignment</i>	7
Operating your Upright Freezer	7
<i>Adjustable Temperature Dial</i>	7
<i>Adjusting the Interior Shelves</i>	7
<i>Defrosting your Upright Freezer</i>	7
Cleaning and Care	8
<i>Cleaning</i>	8
<i>Door Gaskets</i>	8
<i>Light Bulb Replacement</i>	8
<i>Power Interruptions</i>	8
Troubleshooting	9
Limited Warranty	10
French Translation of this Manual	11

CALIFORNIA CARB/SNAP DISCLOSURE

This product uses eco-friendly hydrocarbon refrigerant and fully complies with California CARB regulations.

However, we are required by California Law to provide the following disclosure statement in every product sold in California.

"This equipment is prohibited from use in California with any refrigerants on the 'List of Prohibited Substances' for that specific end-use, in accordance with California Code of Regulations, title 17, section 95374. This disclosure statement has been reviewed and approved by Felix Storch, Inc. and Felix Storch, Inc. attests, under penalty of perjury, that these statements are true and accurate."

This product does **not** use any refrigerants on the 'List of Prohibited Substances'"

SAFETY INFORMATION

Your safety and the safety of others are very important.

We have provided many important safety messages in this manual and on your appliance. Always read and obey all safety messages.



This is the Safety Alert Symbol. The symbol alerts you to potential hazards that can kill or injure you and others. All safety messages will follow the Safety Alert Symbol and either the word DANGER or WARNING.



DANGER means that failure to heed this safety statement may result in severe personal injury or death.



WARNING means that failure to heed this safety statement may result in extensive product damage, serious personal injury, or death.

All safety messages will alert you about the potential hazard, tell you how to reduce the chance of injury, and let you know what can happen if the instructions are not followed.

IMPORTANT SAFEGUARDS



Before the freezer is used, it must be properly positioned and installed as described in this manual, so read the manual carefully. To reduce the risk of fire, electrical shock, or injury when using the freezer, follow basic precautions, including the following:



- Plug into a grounded 3-prong outlet, do not remove the grounding prong, do not use an adapter, and do not use an extension cord.
- Replace all panels before operating.
- It is recommended that a separate circuit serving only your freezer be provided. Use receptacles that cannot be turned off by a switch or pull chain.
- Never clean freezer parts with flammable fluids. These fumes can create a fire hazard or explosion. And do not store or use gasoline or other flammable vapors and liquids in the vicinity of this or any other freezer. The fumes can create a fire hazard or explosion.
- Do not connect or disconnect the electric plug when your hands are wet.
- Unplug the freezer or disconnect power before cleaning or servicing. Failure to do so can result in electrical shock or death.
- Do not attempt to repair or replace any part of your freezer unless it is specifically recommended in this manual. All other servicing should be referred to a qualified technician.
- This appliance is CFC- and HFC-free and contains small quantities of propane (R290) which is environmentally friendly, but flammable. It does not damage the ozone layer, nor does it increase the greenhouse effect. Care must be taken during transportation and setting up of the appliance that no parts of the cooling system are damaged. Leaking coolant can ignite and may damage the eyes.
- In the event of any damage:
 - Avoid open flames and anything that creates a spark,
 - Disconnect from the power supply,
 - Air the room in which the freezer is located for several minutes and
 - Contact the Service Department for advice.

- The more coolant there is in an appliance, the larger the room it should be installed in. In the event of a leakage, if the appliance is in a small room, there is the danger of combustible gases building up. For every ounce of coolant, at least 325 cubic feet of room space is required. The amount of coolant in the appliance is stated on the data plate inside the appliance. It is hazardous for anyone other than an Authorized Service Person to carry out servicing or repairs to this appliance.
- Take serious care when handling, moving and using the appliance to avoid either damaging the refrigerant tubing or increasing the risk of a leak.
- Replacing component parts and servicing shall be done by factory-authorized service personnel, so as to minimize the risk of possible ignition due to incorrect parts or improper service.

WARNING

FOLLOW WARNING CALLOUTS BELOW ONLY WHEN APPLICABLE TO YOUR MODEL

- Use two or more people to move and install the appliance. Failure to do so can result in back or other injuries.
- To ensure proper ventilation for your freezer, the front of the unit must be completely unobstructed. Choose a well-ventilated area with temperatures above 44°F (7°C) and below 90°F (32°C).
- The appliance should not be located next to ovens, grills, or other sources of high heat.
- The appliance must be installed with all electrical, water and drain connections in accordance with state and local codes. A standard electrical supply (115 V AC only, 60 Hz), properly grounded in accordance with the National Electrical Code and local codes and ordinances, is required.
- Do not kink or pinch the power supply cord of the appliance.
- The size of the fuse (or circuit breaker) should be 15 amperes.
- It is important that the appliance be leveled in order to work properly. You may need to make several adjustments to level it.
- All installations must be in accordance with local plumbing code requirements.
- Make certain that the pipes are not pinched, kinked, or damaged during installation.
- Check for leaks after connection.
- Never allow children to operate, play with or crawl inside the appliance.
- Do not use solvent-based cleaning agents or abrasives on the interior. These cleaners may damage or discolor the interior.
- Use this appliance only for its intended purpose as described in this *User Manual*.
- Keep fingers out of the “pinch point” areas. Clearances between the door and cabinet are necessarily small. Be careful closing the door when children are in the area.

DANGER

Risk of child entrapment!

Child entrapment and suffocation are not problems of the past. Junked or abandoned freezers are still dangerous, even if they will “just sit for a few days”.

Before discarding your old freezer:

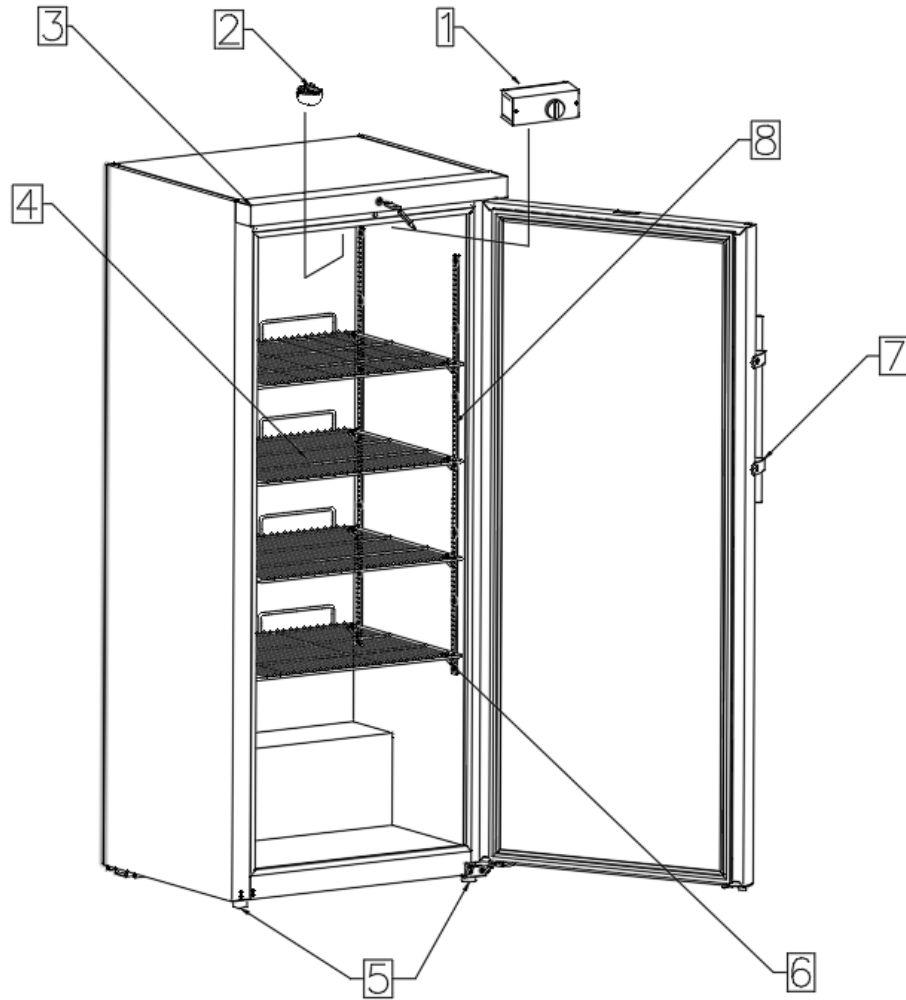
Take off the doors

Leave the shelves in place so that children may not easily climb inside.

- This appliance is not intended for use by persons (including children) whose physical, sensory, or mental capabilities may be different or reduced, who lack experience or knowledge, unless such persons receive supervision or training to operate the appliance by a person responsible for their safety.
- Do not store explosive substances such as aerosol cans with a flammable propellant in this appliance.

- SAVE THESE INSTRUCTIONS -

LOCATION OF PARTS



- | | |
|------------------------|--------------------------|
| 1. Temperature control | 5. Front leveling legs |
| 2. Interior light | 6. Hanger support buckle |
| 3. Front panel | 7. External door handle |
| 4. Shelf | 8. Hanging bars |

INSTALLING YOUR UPRIGHT FREEZER

NOTE: If the freezer has been placed in a horizontal or tilted position for any period of time, stand upright wait 24 hours before plugging the unit in.

Unpacking your Upright Freezer

1. Remove all packaging material, on the inside and outside of the appliance, including the foam base and all adhesive tape holding the freezer accessories.
2. Inspect and remove any remnants of packing, tape, or printed materials before powering on the freezer.

CAUTION: Risk of fire or explosion due to the puncturing of the refrigerant tubing. Flammable refrigerant is used in this appliance. Handle with care when moving the freezer to avoid either damaging the refrigerant tubing or increasing the risk of a leak.

Proper Air Circulation

- Install the freezer in a location with proper air circulation, plumbing, and electrical connections to ensure maximum working efficiency.
- The following clearances around the freezer are recommended:
 - Sides: $\frac{3}{4}$ " (19 mm)
 - Top: 2" (50 mm)
 - Back: 2" (50 mm)
- Do not install the freezer in any location not properly insulated or heated, e.g., a garage, etc. The freezer operates best in ambient temperature settings above 55° F.

Electrical Requirements

- A sustainable power outlet (120V, 15 A) with proper grounding is required to run this freezer.

CAUTION: Avoid the use of three-pronged adapters and DO NOT cut off the third grounding prong in order to accommodate a two-prong outlet. This is a dangerous practice, which provides no effective grounding for the freezer and may result in a shock hazard.

- Avoid using extension cords due to potential safety hazards under certain conditions.
- Use a 3-wire extension cord with a 3-blade grounding plug and a 3-slot outlet, which will accept the plug ONLY IF NECESSARY. The marked rating of the extension cord must be equal to or greater than the electrical rating of the appliance.

NOTE: Do not use an extension cord longer than 12'.

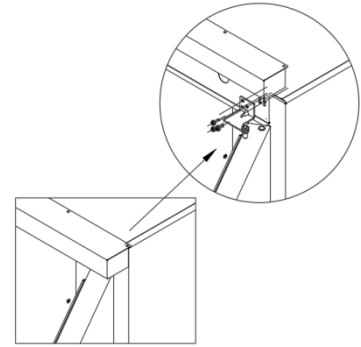
Leveling your Upright Freezer

- Place the freezer on a hard, even, and steady surface, away from direct sunlight or a heat source, e.g., radiators, baseboard heaters, cooking appliances, etc.
- There are two leveling legs, located in the front, and bottom corners of the freezer. Level the freezer after properly placing it in its final position.
 - Turn the leveling legs counterclockwise to extend the legs and clockwise to retract them.

Door Alignment

To properly align the freezer door, follow the steps below:

1. Remove the top panel using a Philips head screwdriver
2. Loosen the top hinge screws.
3. Adjust the alignment of the door, or use a spacer in between the door and cabinet, and then tighten the screws.
4. Reinstall the top panel



OPERATING YOUR UPRIGHT FREEZER

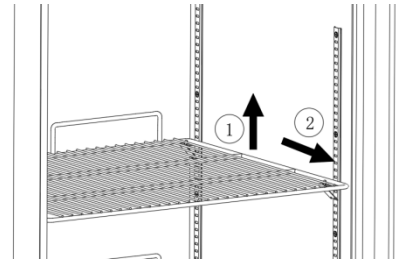
Adjustable Temperature Dial

The freezer automatically maintains the selected temperature level. The temperature control dial has 7 settings, plus 0. 1 is the warmest. 7 is the coldest. Turning the dial to 0 stops cooling in freezer section.

NOTE: Set the dial to 4 initially and allow 24 hours to pass before adjusting the desired temperature.

Adjusting the Interior Shelves

To remove or replace a full width, slide out the shelf, gently tilt the shelf up and lift the shelves vertically until the shelf is completely removed.



Defrosting your Upright Freezer

Defrost the freezer whenever frost accumulates to $\frac{1}{4}$ " thickness or more on the freezer walls for maximum efficiency. To defrost:

1. Remove any food and the ice cube tray from the freezer section. Store these items safely while the appliance defrosts.
2. Turn the temperature control dial to the "0" position. Defrosting may take a few hours. Keep the freezer door open and place a bowl of warm water in the freezer to speed up the defrost time.
3. Wipe excess water from the freezer, which will accumulate during the defrost. Do not leave unattended.
4. Wipe down the interior of the freezer section once defrosting is complete.
5. Reset the freezer section to the desired temperature, return food, and close the door.

NOTE: Frost accumulates faster during warmer months.

Use the plastic ice scraper provided with the freezer to scrape down the interior of the freezer section, if necessary.

CAUTION: Do not use metal instruments to defrost the freezer, due to the risk of puncturing the refrigerant tubing. Risk of fire or explosion if the refrigerant tubing is punctured.

CLEANING AND CARE

CAUTION: Always unplug the appliance before cleaning to avoid electric shock. Ignoring this warning may result in injury or death.

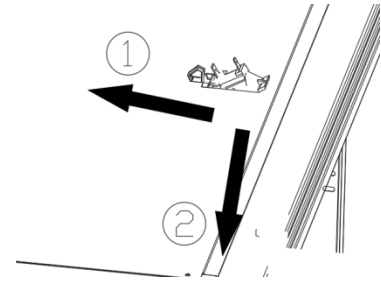
Cleaning

- Mix two tablespoons baking soda with one quart of warm water and wipe down the freezer using a soft sponge and the cleaning solution.
- Rinse with clean, warm water, and dry with a soft cloth.
- DO NOT use harsh chemicals, abrasives, ammonia chlorine bleach, concentrated detergents, solvents, or metal scouring pads when cleaning. Some of these chemicals may dissolve, damage, and/or discolor the freezer.

CAUTION: Always read the manufacturer's instructions and warnings before using cleaning products to avoid personal injury or product damage.

Door Gaskets

- Clean door gaskets every three months, according to general instructions. Gaskets must be kept clean and pliable to assure a proper seal.
- Lightly apply petroleum jelly on the hinge side of the gaskets to keep the gasket pliable and to ensure a good seal.



Light Bulb Replacement

1. Switch off power to the freezer.
2. Gently push the LED light about 4mm.
3. Immediately after translation, turn the back of the lamp downward and remove the LED lamp.
4. Unplug the terminals, replace the new LED lights, and install in reverse order.
5. Switch on power to the freezer.

Power Interruptions

- There may be occasional power interruptions due to thunderstorms or other causes. Remove the power cord from the AC outlet when a power outage occurs. When power has been restored, plug the power cord into the AC outlet.
- For long vacations or absences, empty food from the freezer, move the temperature dial to the "0" position, and clean the freezer and door gaskets according to the *Cleaning and Care* section on page 8. Prop the door open, so air can circulate inside.
- When moving, always move the freezer vertically. Do not move with the unit lying down. Damage to the sealed system could occur.

TROUBLESHOOTING

Many common freezer problems can be solved easily, without incurring the cost of a service call. Listed below are several possible causes for common problems.

Problem	Possible Cause
<i>The appliance does not operate.</i>	<i>Not plugged in. The thermostat is in the "0" position. Check the circuit breaker.</i>
<i>The food temperature is too warm.</i>	<i>The door is opened too often. The door gasket is not sealed properly. The temperature control is not set correctly set. A large amount of warm food has recently been added to the freezer.</i>
<i>The appliance runs too frequently.</i>	<i>The temperature of the room is too warm/humid. The door is opened too often. The door gasket is not sealed properly. The door is not closed completely.</i>
<i>Moisture build-up on the interior and exterior.</i>	<i>The humidity is high. Prolonged and frequent door openings. The door gasket is not sealed properly.</i>
<i>The appliance has an odor.</i>	<i>The interior needs cleaning. Food improperly wrapped or sealed.</i>
<i>The door will not close properly.</i>	<i>The freezer is not level. The door is not properly aligned. The shelves, crisper drawer, and food containers are out of place.</i>
<i>Popping or cracking sound when the compressor turns on.</i>	<i>The freezer is not level. The freezer is touching the wall and should be re-leveled farther away from the wall.</i>
<i>The interior light does not work.</i>	<i>The power is not properly connected. The light bulb is loose in the socket. The light bulb is burned out.</i>

If you have checked the table above and find that you still need help with your unit, call our Customer Service facility at **1-888-4-MEDLAB** between 9:00 AM and 5:00 PM ET or visit www.accucold.com/support. We will do our best to answer your questions.

LIMITED WARRANTY

ONE-YEAR LIMITED WARRANTY

Within the 48 contiguous United States, for one year from the date of purchase, when this appliance is operated and maintained according to instructions attached to or furnished with the product, warrantor will pay for factory-specified parts and repair labor to correct defects in materials or workmanship. Service must be provided by a designated service company. Outside the 48 states, all parts are warranted for one year from manufacturing defects. Plastic parts, shelves, and cabinets are warranted to be manufactured to commercially acceptable standards and are not covered from damage during handling or breakage.

5-YEAR COMPRESSOR WARRANTY

1. The compressor is covered for 5 years.
2. Replacement does not include labor.

ITEMS WARRANTOR WILL NOT PAY FOR:

1. Service calls to correct the installation of your appliance, to instruct you how to use your appliance, to replace or repair fuses or to correct wiring or plumbing.
2. Service calls to repair or replace appliance light bulbs or broken shelves. Consumable parts (such as filters) are excluded from warranty coverage.
3. Damage resulting from accident, alteration, misuse, abuse, fire, flood, acts of God, improper installation, installation not in accordance with electrical or plumbing codes, or use of products not approved by warrantor.
4. Replacement parts or repair labor costs for appliances operated outside the United States.
5. Repairs to parts or systems resulting from unauthorized modifications made to the appliance.
6. The removal and reinstallation of your appliance if it is installed in an inaccessible location or is not installed in accordance with published installation instructions.

DISCLAIMER OF IMPLIED WARRANTIES – LIMITATION OF REMEDIES

CUSTOMER'S SOLE AND EXCLUSIVE REMEDY UNDER THIS LIMITED WARRANTY SHALL BE PRODUCT REPAIR AS PROVIDED HEREIN. IMPLIED WARRANTIES, INCLUDING WARRANTIES OF MERCHANTABILITY OR FITNESS FOR A PARTICULAR PURPOSE, ARE LIMITED TO ONE YEAR. WARRANTOR SHALL NOT BE LIABLE FOR INCIDENTAL OR CONSEQUENTIAL DAMAGES. SOME STATES DO NOT ALLOW THE EXCLUSION OR LIMITATION OF INCIDENTAL OR CONSEQUENTIAL DAMAGES, OR LIMITATIONS ON THE DURATION OF IMPLIED WARRANTIES OF MERCHANTABILITY OR FITNESS, SO THESE EXCLUSIONS OR LIMITATIONS MAY NOT APPLY TO YOU. THIS WARRANTY GIVES YOU SPECIFIC LEGAL RIGHTS AND YOU MAY ALSO HAVE OTHER RIGHTS, WHICH VARY FROM STATE TO STATE.



WARNING: This product can expose you to chemicals including Nickel (Metallic) which is known to the State of California to cause cancer.

For more information go to www.P65Warnings.ca.gov

Note: Nickel is a component in all stainless steel and some other metallic compositions.

Accucold Division of Felix Storch, Inc.
An ISO 9001:2015 registered company
770 Garrison Avenue
Bronx, NY 10474
www.accucold.com

accucold®

For parts and accessory ordering,
troubleshooting and helpful hints, visit:
www.accucold.com/support

INFORMATION SUR LA SÉCURITÉ

Votre sécurité et celle des autres sont très importantes.

Nous avons fourni de nombreux messages de sécurité importants dans ce manuel et sur votre appareil. Lisez et respectez toujours tous les messages de sécurité.



C'est le symbole d'alerte de sécurité. Le symbole vous avertit des dangers potentiels qui peut vous tuer ou vous blesser ainsi que d'autres personnes. Tous les messages de sécurité suivront les consignes de sécurité
Symbole d'alerte et le mot DANGER ou AVERTISSEMENT.



DANGER signifie que le non-respect de cette déclaration de sécurité peut entraîner des blessures graves ou la mort.



AVERTISSEMENT signifie que le non-respect de cette déclaration de sécurité peut entraîner des dommages importants au produit, des blessures corporelles graves ou la mort.

Tous les messages de sécurité vous avertiront du danger potentiel, vous indiqueront comment réduire les risques de blessures et vous informeront de ce qui peut arriver si les instructions ne sont pas suivies.

GARANTIES IMPORTANTES



Avant d'utiliser le réfrigérateur ou le congélateur, il doit être correctement positionné et installé comme décrit dans ce manuel, alors lisez attentivement le manuel. Pour réduire le risque d'incendie, de choc électrique ou de blessure lors de l'utilisation du réfrigérateur ou du congélateur, suivez les précautions de base, notamment les suivantes :



- Branchez-le dans une prise à 3 broches mise à la terre, ne retirez pas la broche de mise à la terre, n'utilisez pas d'adaptateur et n'utilisez pas de rallonge.
- Remplacez tous les panneaux avant l'utilisation.
- Il est recommandé de prévoir un circuit séparé desservant uniquement votre réfrigérateur ou congélateur. Utilisez des prises qui ne peuvent pas être fermées par un interrupteur ou une chaîne de traction.
- Ne nettoyez jamais les pièces du réfrigérateur ou du congélateur avec des liquides inflammables. Ces fumées peuvent créer un risque d'incendie ou d'explosion. Et n'entrez pas et n'utilisez pas d'essence ou d'autres vapeurs et liquides inflammables à proximité de ce réfrigérateur ou de tout autre réfrigérateur ou congélateur. Les fumées peuvent créer un risque d'incendie ou d'explosion.
- Ne branchez ou ne débranchez pas la prise électrique lorsque vos mains sont mouillées.
- Débranchez le réfrigérateur ou le congélateur ou débranchez l'alimentation avant le nettoyage ou l'entretien. Le non-respect de cette consigne peut entraîner un choc électrique ou la mort.

- N'essayez pas de réparer ou de remplacer une pièce de votre réfrigérateur ou congélateur à moins que cela ne soit spécifiquement recommandé dans ce manuel. Tout autre entretien doit être confié à un technicien qualifié.
- Cet appareil est sans CFC et HFC et contient de petites quantités propane (R290) qui est respectueux de l'environnement, mais inflammable. Il n'endommage pas la couche d'ozone et n'augmente pas l'effet de serre. Lors du transport et de l'installation de l'appareil, il faut veiller à ce qu'aucune pièce du système de refroidissement ne soit endommagée. Une fuite de liquide de refroidissement peut s'enflammer et endommager les yeux.
- En cas de dommage :
 - Evitez les flammes nues et tout ce qui crée une étincelle,
 - Débrancher de l'alimentation électrique,
 - Aérer la pièce dans laquelle se trouve le réfrigérateur ou le congélateur pendant quelques minutes et
 - Contactez le service après-vente pour obtenir des conseils.
- Plus il y a de liquide de refroidissement dans un appareil, plus la pièce dans laquelle il doit être installé est grande. En cas de fuite, si l'appareil se trouve dans une petite pièce, il existe un risque de formation de gaz combustibles. Pour chaque once de liquide de refroidissement, au moins 325 pieds cubes d'espace dans la pièce sont nécessaires. La quantité de liquide de refroidissement dans l'appareil est indiquée sur la plaque signalétique à l'intérieur de l'appareil. Il est dangereux pour toute personne autre qu'une personne de service autorisée d'effectuer l'entretien ou les réparations de cet appareil.
- Faites très attention lors de la manipulation, du déplacement et de l'utilisation de l'appareil pour éviter d'endommager la tuyauterie de réfrigérant ou d'augmenter le risque de fuite.
- Le remplacement des composants et l'entretien doivent être effectués par du personnel d'entretien agréé par l'usine, afin de minimiser le risque d'inflammation possible en raison de pièces incorrectes ou d'un entretien inapproprié.



SUIVEZ LES AVERTISSEMENTS CI-DESSOUS UNIQUEMENT SI APPLICABLES À VOTRE MODÈLE

- Utilisez deux personnes ou plus pour déplacer et installer l'appareil. Le non-respect de cette consigne peut entraîner des blessures au dos ou d'autres blessures.
- Pour assurer une bonne ventilation de votre réfrigérateur ou congélateur, l'avant de l'appareil doit être complètement dégagé. Choisissez un endroit bien ventilé avec des températures supérieures à 44 °F (7 °C) et inférieures à 90 °F (32 °C).
- L'appareil ne doit pas être placé à côté de fours, de grils ou d'autres sources de chaleur élevée.
- L'appareil doit être installé avec tous les raccordements électriques, d'eau et d'évacuation conformément aux codes nationaux et locaux. Une alimentation électrique standard (115 V CA uniquement, 60 Hz), correctement mise à la terre conformément au Code national de l'électricité et aux codes et ordonnances locaux, est requise.
- Ne pliez pas et ne pincez pas le cordon d'alimentation de l'appareil.
- La taille du fusible (ou du disjoncteur) doit être de 15 ampères.
- Il est important que l'appareil soit de niveau afin de fonctionner correctement. Vous devrez peut-être faire plusieurs ajustements pour le mettre à niveau.
- Toutes les installations doivent être conformes aux exigences du code de plomberie local.
- Assurez-vous que les tuyaux ne sont pas pincés, pliés ou endommagés lors de l'installation.
- Vérifiez les fuites après le raccordement.
- Ne laissez jamais les enfants utiliser, jouer avec ou ramper à l'intérieur de l'appareil.
- N'utilisez pas de produits de nettoyage à base de solvants ou d'abrasifs sur l'intérieur. Ces nettoyeurs peuvent endommager ou décolorer l'intérieur.
- N'utilisez cet appareil que pour l'usage auquel il est destiné, tel que décrit dans ce manuel d'utilisation.

- Gardez les doigts hors des zones de « point de pincement ». Les dégagements entre la porte et l'armoire sont nécessairement faibles. Soyez prudent en fermant la porte lorsque des enfants sont dans la zone.



Risque de piégeage d'enfants !

Le piégeage et l'étouffement des enfants ne sont pas des problèmes du passé. Les réfrigérateurs ou congélateurs mis au rebut ou abandonnés sont toujours dangereux, même s'ils "ne resteront que quelques jours".

Avant de jeter votre ancien réfrigérateur :

- *Enlever les portes*
- *Laissez les étagères en place afin que les enfants ne grimpent pas facilement à l'intérieur.*
- Cet appareil n'est pas destiné à être utilisé par des personnes (y compris des enfants) dont les capacités physiques, sensorielles ou mentales peuvent être différentes ou réduites, qui manquent d'expérience ou de connaissances, à moins que ces personnes ne soient supervisées ou formées pour utiliser l'appareil par une personne responsable de leur sécurité.
- Ne stockez pas de substances explosives telles que des bombes aérosol contenant un propulseur inflammable dans cet appareil.

- CONSERVEZ CES INSTRUCTIONS –

Divulgarion de CARB/SNAP en California:

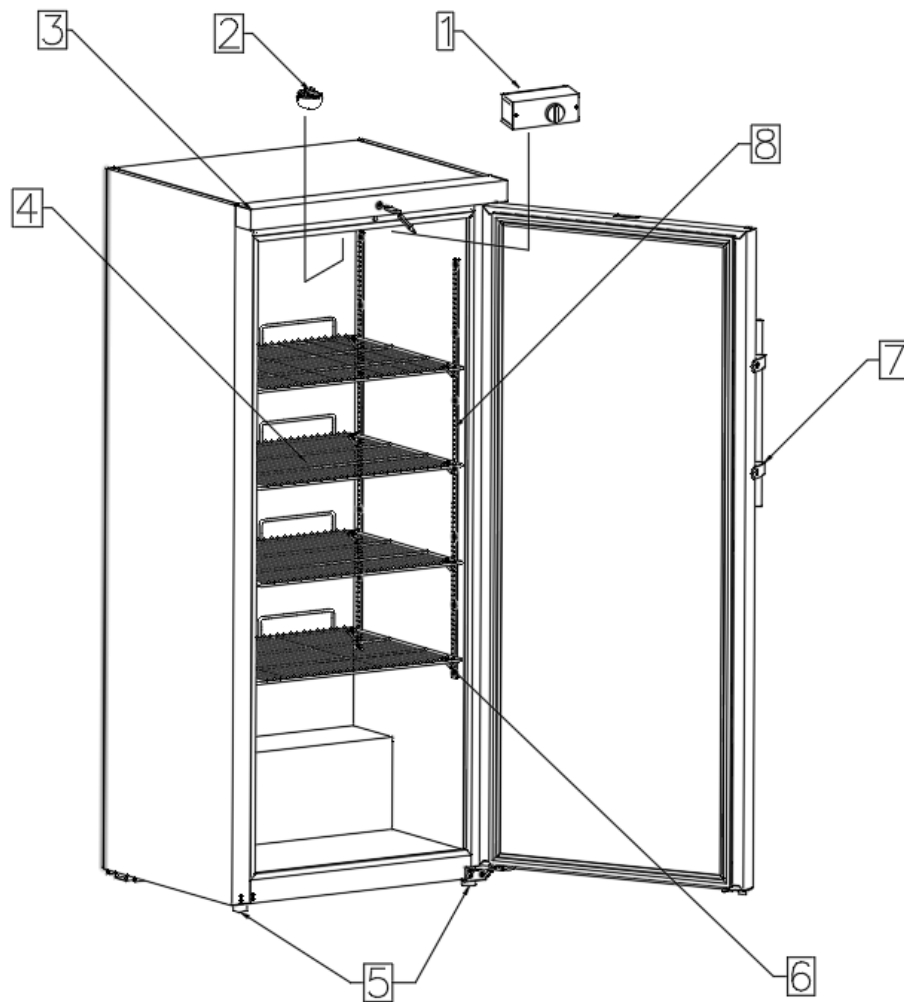
Ce produit utilise un réfrigérant hydrocarbon écologique et est entièrement conforme aux réglementations California CARB.

Cependant, nous sommes tenus par la loi Californienne de fournir la déclaration de divulgation suivante dans chaque produit vendu en California.

« Il est interdit d'utiliser cet équipement en California avec tout réfrigérant figurant sur la « Liste des substances interdites » pour cette utilisation finale spécifique, conformément au California Code of Regulations, titre 17, section 95374. Cette déclaration a été examinée et approuvée par Felix Storch, Inc. et Felix Storch, Inc. attestent, sous peine de parjure, que ces déclarations sont véridiques et exactes. »

Ce produit n'utilise aucun réfrigérant sur la 'Liste des substances interdites'

PIÈCES ET CARACTÉRISTIQUES



- | | |
|-------------------------------|------------------------------------|
| 1. Contrôle de la température | 5. Pieds de nivellement avant |
| 2. Lumière intérieure | 6. Boucle de support de suspension |
| 3. Panneau avant | 7. Poignée de porte extérieure |
| 4. Étagère | 8. Barres de suspension |

INSTALLATION DE VOTRE CONGÉLATEUR DROIT

REMARQUE: Si le réfrigérateur a été placé en position horizontale ou en position inclinée, que ce soit pour longtemps ou non, attendez 24 heures avant de brancher l'appareil.

Déballage de votre congélateur vertical

1. Retirer l'ensemble du matériel d'emballage. Ceci comprend la base en mousse ainsi que l'ensemble du matériel adhésif qui maintient les accessoires du réfrigérateur à l'intérieur tout comme à l'extérieur.
2. Inspecter et enlever tout restant d'emballage, de scotch ou de matériaux imprimés avant de brancher le réfrigérateur.

ATTENTION: Risque d'incendie ou d'explosion due à la tuyauterie de réfrigérant de piqûre. Réfrigérant inflammable utilisé. Manipulez avec soin quand réfrigérateur mobile pour éviter d'endommager la tuyauterie réfrigérante ou d'augmenter le risque d'une fuite.

Circulation d'Air Adéquate

- Pour être sûr que le réfrigérateur fonctionne à son maximum d'efficacité, l'installer dans un environnement favorable à une bonne circulation d'air et possédant des connexions de plomberie et d'électricité saines.
- Les indications suivantes concernent l'espace recommandé autour du réfrigérateur:
 - Latéralement 19mm (3/4")
 - Partie supérieure 50mm (2")
 - Arrière 50 mm (2")
- N'installez pas le congélateur dans un endroit qui n'est pas correctement isolé ou chauffé, par ex. un garage, etc. Le congélateur fonctionne mieux à des températures ambiantes supérieures à 55° F.

Caractéristiques Electriques

- Pour l'alimentation du réfrigérateur, veiller à utiliser une prise de courant convenable (prise de 120 volts, 15 amp) raccordée à la terre.

ATTENTION: Eviter d'utiliser des adaptateurs à trois fiches ou de sectionner la troisième fiche reliée à la terre dans le but d'utiliser un branchement à deux fiches. Cette pratique pourrait s'avérer dangereuse dans la mesure où le réfrigérateur n'est pas relié convenablement à la terre, et risquerait de causer des risques d'électrocution.

- Évitez d'utiliser des rallonges en raison des risques potentiels pour la sécurité dans certaines conditions.
- Utilisez une rallonge à 3 fils avec une fiche de mise à la terre à 3 broches et une prise à 3 fentes, qui acceptera la fiche UNIQUEMENT SI NÉCESSAIRE. La valeur nominale indiquée sur la rallonge doit être égale ou supérieure à la valeur nominale électrique de l'appareil.

REMARQUE: N'utilisez pas de rallonge de plus de 12 pi.

Mise à niveau de votre congélateur vertical

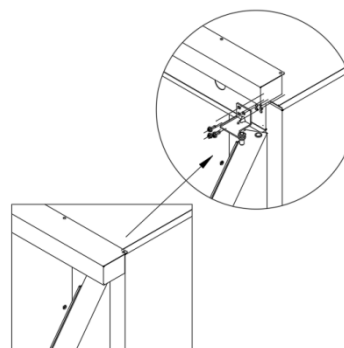
- Placez le congélateur sur une surface dure, plane et stable, à l'abri de la lumière directe du soleil ou d'une source de chaleur, par ex. radiateurs, plinthes chauffantes, appareils de cuisson, etc.

- Il y a deux pieds de nivellement, situés dans les coins inférieurs avant du congélateur. Mettez le congélateur à niveau après l'avoir correctement placé dans sa position finale.
 - Tournez les pieds de nivellement dans le sens inverse des aiguilles d'une montre pour étendre les pieds et dans le sens des aiguilles d'une montre pour les rétracter.

Alignement de la porte

Pour aligner correctement la porte du congélateur, suivez les étapes ci-dessous:

1. Retirez le panneau supérieur à l'aide d'un tournevis cruciforme
2. Desserrez les vis de la charnière supérieure.
3. Ajustez l'alignement de la porte ou utilisez une entretoise entre la porte et l'armoire, puis serrez les vis.
4. Réinstallez le panneau supérieur



FONCTIONNEMENT DE VOTRE CONGÉLATEUR DROIT

Cadran de température réglable

- Le congélateur maintient automatiquement le niveau de température sélectionné. Le cadran de contrôle de la température a 7 réglages, plus 0. 1 est le plus chaud. 7 est le plus froid.
- Tourner le cadran à 0 arrête le refroidissement dans la section congélateur.

REMARQUE: Réglez le cadran sur 4 initialement et attendez 24 heures avant de régler la température souhaitée.

Ajustement des étagères intérieures

Pour retirer ou remplacer une étagère pleine largeur, faites glisser l'étagère, inclinez doucement l'étagère vers le haut et soulevez les étagères verticalement jusqu'à ce que l'étagère soit complètement retirée.

Dégivrage de votre congélateur vertical

Dégivrez le congélateur chaque fois que le givre s'accumule jusqu'à ¼" d'épaisseur ou plus sur les parois du congélateur pour une efficacité maximale. Pour décongeler:

1. Retirez tous les aliments et le bac à glaçons de la section congélateur. Rangez ces articles en toute sécurité pendant que l'appareil dégivre.
2. Tournez le cadran de contrôle de la température à la position « 0 ». La décongélation peut prendre quelques heures. Gardez la porte du congélateur ouverte et placez un bol d'eau tiède dans le congélateur pour accélérer le temps de dégivrage.
3. Essuyez l'excès d'eau du congélateur, qui s'accumulera pendant le dégivrage. Ne laissez pas sans surveillance.
4. Essuyez l'intérieur de la section congélateur une fois le dégivrage terminé.
5. Réinitialisez la section congélateur à la température désirée, remettez les aliments et fermez la porte.

REMARQUE: Le givre s'accumule plus rapidement pendant les mois les plus chauds.

Utilisez le grattoir à glace en plastique fourni avec le réfrigérateur pour racler l'intérieur de la section congélateur, si nécessaire.

ATTENTION: *N'utilisez pas d'instruments métalliques pour dégivrer le congélateur, en raison du risque de perforation du tube de réfrigérant. Risque d'incendie ou d'explosion si le tuyau de réfrigérant est perforé.*

NETTOYAGE ET ENTRETIEN

ATTENTION: *Débranchez toujours l'appareil avant de le nettoyer pour éviter les chocs électriques. Ignorer cet avertissement peut entraîner des blessures ou la mort.*

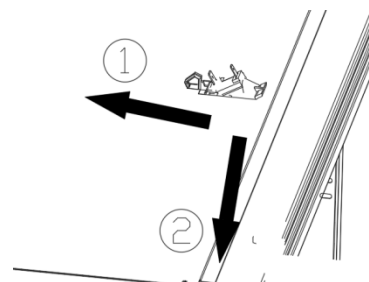
Nettoyage

- Mélangez deux cuillères à soupe de bicarbonate de soude avec un litre d'eau tiède et essuyez le congélateur à l'aide d'une éponge douce et de la solution de nettoyage.
- Rincez à l'eau tiède propre et séchez avec un chiffon doux.
- N'utilisez PAS de produits chimiques agressifs, d'abrasifs, d'agent de blanchiment à l'ammoniaque, de détergents concentrés, de solvants ou de tampons à récurer en métal lors du nettoyage. Certains de ces produits chimiques peuvent dissoudre, endommager et/ou décolorer le congélateur.

ATTENTION: *Lisez toujours les instructions et les avertissements du fabricant avant d'utiliser des produits de nettoyage pour éviter les blessures ou les dommages au produit.*

Joint De Porte

- Nettoyez les joints de porte tous les trois mois, conformément aux instructions générales. Les joints doivent être maintenus propres et souples pour assurer une bonne étanchéité.
- Appliquez légèrement de la vaseline sur le côté charnière des joints pour maintenir le joint souple et assurer une bonne étanchéité.



Remplacement de l'ampoule

1. Coupez l'alimentation du réfrigérateur.
2. Appuyez doucement sur la lumière LED d'environ 4 mm.
3. Immédiatement après la traduction, tournez le dos de la lampe vers le bas
1. et retirez la lampe LED.
4. Débranchez les bornes, remplacez les nouvelles lumières LED et installez dans l'ordre inverse.
5. Mettez le réfrigérateur sous tension.

Interruptions de courant

- Il peut y avoir des coupures de courant occasionnelles dues à des orages ou à d'autres causes. Retirez le cordon d'alimentation de la prise secteur en cas de panne de courant. Une fois le courant rétabli, branchez le cordon d'alimentation dans la prise secteur.
- Pour les longues vacances ou les absences, videz les aliments du congélateur, déplacez le sélecteur de température sur la position « 0 » et nettoyez le réfrigérateur et les joints de porte conformément à la section Nettoyage et entretien à la page 8. Maintenez la porte ouverte pour que l'air puisse circuler à l'intérieur.
- Lors d'un déplacement, déplacez toujours le réfrigérateur verticalement. Ne bougez pas avec l'appareil couché. Le système scellé pourrait être endommagé.

DÉPANNAGE

De nombreux problèmes courants de congélation peuvent être résolus facilement, sans encourir le coût d'un appel de service. Vous trouverez ci-dessous plusieurs causes possibles de problèmes courants.

Problème	Cause possible
L'appareil ne fonctionne pas.	<i>Pas branché. Le thermostat est en position 0. Vérifiez le disjoncteur.</i>
<i>La température des aliments est trop élevée.</i>	<i>La porte est ouverte trop souvent. Le joint de la porte n'est pas scellé correctement. Le contrôle de la température n'est pas correctement réglé. Une grande quantité d'aliments chauds a récemment été ajoutée au réfrigérateur.</i>
<i>L'appareil fonctionne trop fréquemment.</i>	<i>La température de la pièce est trop chaude/humide. La porte est ouverte trop souvent. Le joint de la porte n'est pas scellé correctement. La porte n'est pas complètement fermée.</i>
<i>L'humidité s'accumule à l'intérieur et à l'extérieur.</i>	<i>L'humidité est élevée. Ouvertures de porte prolongées et fréquentes. Le joint de la porte n'est pas scellé correctement.</i>
<i>L'appareil dégage une odeur.</i>	<i>L'intérieur a besoin d'être nettoyé. Aliments mal emballés ou scellés.</i>
<i>La porte ne se ferme pas correctement.</i>	<i>Le réfrigérateur n'est pas de niveau. La porte n'est pas correctement alignée. Les étagères, le bac à légumes ou les contenants alimentaires ne sont pas à leur place.</i>
<i>Bruit de claquement ou de craquement lorsque le compresseur s'allume.</i>	<i>Le réfrigérateur n'est pas de niveau. Le réfrigérateur touche le mur et doit être remis à niveau plus loin du mur.</i>
<i>L'éclairage intérieur ne fonctionne pas.</i>	<i>L'alimentation n'est pas correctement connectée. L'ampoule est desserrée dans la douille. L'ampoule est grillée.</i>

Si vous avez vérifié le tableau ci-dessus et constatez que vous avez toujours besoin d'aide avec votre appareil, appelez notre service à la clientèle au **1-888-4-MEDLAB** entre 9h00 et 17h00 HE ou visitez : **www.accucold.com/support**. Nous ferons de notre mieux pour répondre à vos questions.

NOTES/REMARQUES

GARANTIE LIMITÉE

GARANTIE LIMITÉE D'UN AN

Dans les 48 États-Unis contigus, pendant un an à compter de la date d'achat, lorsque cet appareil est utilisé et entretenu selon les instructions jointes ou fournies avec le produit, le garant paiera les pièces spécifiées par l'usine et la main-d'œuvre de réparation pour corriger les défauts de matériaux ou de fabrication. Le service doit être fourni par une entreprise de service désignée. En dehors des 48 états, toutes les pièces sont garanties pendant un an contre les défauts de fabrication. Les pièces en plastique, les étagères et les armoires sont garanties pour être fabriquées selon des normes commercialement acceptables et ne sont pas couvertes contre les dommages pendant la manipulation ou la casse.

GARANTIE COMPRESSEUR DE 5 ANS

1. Le compresseur est couvert pendant 5 ans.
2. Le remplacement n'inclut pas la main-d'œuvre.

LE GARANT DES ARTICLES NE PAYERA PAS POUR:

1. Les appels de service pour corriger l'installation de votre appareil, pour vous expliquer comment utiliser votre appareil, pour remplacer ou réparer les fusibles ou pour corriger le câblage ou la plomberie.
2. Les appels de service pour réparer ou remplacer les ampoules électriques ou les étagères cassées. Les pièces consommables (comme les filtres) sont exclues de la couverture de la garantie.
3. Les dommages résultant d'un accident, d'une altération, d'une mauvaise utilisation, d'un abus, d'un incendie, d'une inondation, d'un cas de force majeure, d'une mauvaise installation, d'une installation non conforme aux codes électriques ou de plomberie, ou de l'utilisation de produits non approuvés par le garant.
4. Les pièces de rechange ou les frais de main-d'œuvre de réparation pour les unités exploitées hors des États-Unis.
5. Les réparations de pièces ou de systèmes résultant de modifications non autorisées apportées à l'appareil.
6. Le retrait et la réinstallation de votre appareil s'il est installé dans un endroit inaccessible ou s'il n'est pas installé conformément aux instructions d'installation publiées.

EXCLUSION DE GARANTIES IMPLICITES; LIMITATION DES RECOURS

LE SEUL ET EXCLUSIF RECOURS DU CLIENT EN VERTU DE CETTE GARANTIE LIMITÉE SERA LA RÉPARATION DU PRODUIT COMME PRÉVU ICI. LES GARANTIES IMPLICITES, Y COMPRIS LES GARANTIES DE QUALITÉ MARCHANDE OU D'ADÉQUATION À UN USAGE PARTICULIER, SONT LIMITÉES À UN AN. LE GARANT NE SERA PAS RESPONSABLE DES DOMMAGES INDIRECTS OU INDIRECTS. CERTAINS ÉTATS NE PERMETTENT PAS L'EXCLUSION OU LA LIMITATION DES DOMMAGES INDIRECTS OU INDIRECTS, OU LES LIMITATIONS SUR LA DURÉE DES GARANTIES IMPLICITES DE QUALITÉ MARCHANDE OU D'ADÉQUATION, CES EXCLUSIONS OU LIMITATIONS PEUVENT NE PAS S'APPLIQUER À VOUS. CETTE GARANTIE VOUS DONNE DES DROITS JURIDIQUES SPÉCIFIQUES ET VOUS POUVEZ ÉGALEMENT AVOIR D'AUTRES DROITS QUI VARIENT D'UN ÉTAT À L'AUTRE.



AVERTISSEMENT : ce produit peut vous exposer à des produits chimiques, y compris le nickel (métallique) qui est connu dans l'État de Californie pour provoquer le cancer.
Pour plus d'informations, rendez-vous sur www.P65Warnings.ca.gov

Remarque : le nickel est un composant de tous les aciers inoxydables et de certaines autres compositions métalliques.

Accucold Division of Felix Storch, Inc.
An ISO 9001:2015 registered company
770 Garrison Avenue
Bronx, NY 10474
www.accucold.com

accucold

Pour la commande de pièces et d'accessoires, le dépannage et des conseils utiles, visitez :
www.accucold.com/support