

2218BEV • 18" Beverage Center • 2000 Series

FEATURES & BENEFITS



PERFORMANCE	<ul style="list-style-type: none"> • Volume of 3.4 cu ft holds up to 51 bottles (12 oz) or 87 cans (12 oz) and 7 wine bottles (750 ml) • Digital Touch Pad Control is conveniently located on upper face of unit • Approximate temperature range: 34°F - 45°F • Convection cooling system rapidly and efficiently takes items to the set temperature
INTERIOR/EXTERIOR	<ul style="list-style-type: none"> • Black interior is illuminated with LED lighting that automatically turns off when the door is closed, or can be set to stay on for 3 hours • Full extension black coated wine racks allow for easy access • Wine racks accommodate a variety of bottle shapes and sizes • Three adjustable tempered glass shelves with 7 height positions • LowE coated, argon gas filled, triple thermopane glass door provides protection from harmful UV Light • 7/8" diameter stainless steel handle (not included on integrated models) • The door swing on non-lock models is field reversible, and is shipped right-hand hinged • Lock models must be ordered right-hand or left-hand hinged
INTEGRATION	<ul style="list-style-type: none"> • Solid natural beech wood fronts on wine racks can easily be stained to match surrounding cabinetry • Robust, concealed, and covered hinges with built-in door stop and closer • Integrated model requires 3/4" custom panel of your choice, or can accept U-Line Euro Style Handleless Stainless Panel Accessory (must be ordered separately) • Fixed grille can accept an integrated toe-kick • Four independently adjustable leveling legs provide a precise undercounter fit



STAINLESS FRAME



STAINLESS FRAME (LOCK)



INTEGRATED FRAME



INTEGRATED FRAME (STAINLESS HANDLELESS PANEL)*



INTEGRATED SOLID



INTEGRATED SOLID (STAINLESS HANDLELESS PANEL)*

MODEL DETAILS

Model	Voltage/Hz	Door Swing	Finish	Shipping Weight
U-2218BEVS-00A	115 / 60	Field Reversible	Stainless Frame	127 lbs
U-2218BEVS-13A	115 / 60	Right-Hand Hinged	Stainless Frame (Lock)	127 lbs
U-2218BEVS-15A	115 / 60	Left-Hand Hinged	Stainless Frame (Lock)	127 lbs
U-2218BEVINT-00A	115 / 60	Field Reversible	Integrated Frame	125 lbs
U-2218BEVINT-60A	115 / 60	Field Reversible	Integrated Solid	119 lbs

ACCESSORIES

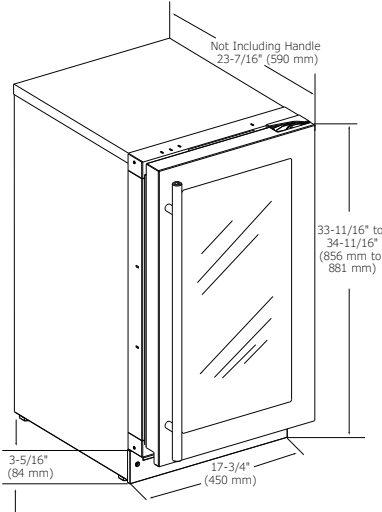
Model	Description	Finish	Shipping Weight
U-ESPF45S*	Euro Style Handleless Panel, 18" Frame	Stainless	8 lb
U-ESP45S*	Euro Style Handleless Panel, 18" Solid	Stainless	12 lb

*Installs on integrated models.

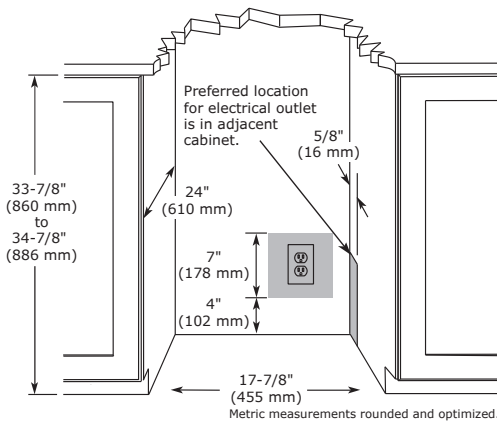
2000 Series • 18" Beverage Center • **2218BEV**

DIMENSIONS

Dimensions shown apply to all finishes, including Integrated (INT) models with 3/4" integrated panel/frame installed.



CABINET CUT-OUT



INSTALLATION NOTES

When installing adjacent to wall, ensure 2 1/2" clearance on hinged side for 90° door opening, allowing ample room for door handle.

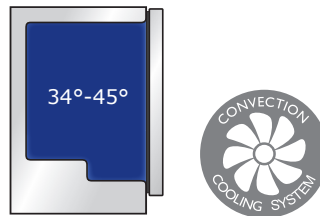
No additional clearance around sides, top or rear of unit is needed for ventilation.

Do not obstruct front grille air flow.

SPECIFICATIONS

Model	2218BEV
Amps: Running	1.2
Capacity: Bottle (12 oz)	51
Capacity: Can (12 oz)	87
Capacity: Volume (cu ft)	3.4
Capacity: Wine Bottle (750 ml)	7
Control Type	Digital Touch Pad
Dimensions: Product Depth	23 7/16" / 590 mm
Dimensions: Product Height	33 11/16" / 856 mm
Dimensions: Product Width	17 3/4" / 450 mm
Energy Consumption: Avg. Per Year	260
ENERGY STAR	ENERGY STAR / Tier 1
Panel Height	30" / 762 mm
Panel Thickness	3/4" / 20 mm
Panel Type	2 3/4" / 70 mm Frame Panel or Solid Panel (-60 suffix)
Panel Width	17 5/8" / 445 mm
Product Weight: Max	119 lbs
Refrigerant Type	R600a
Sabbath (Star K Certified)	Yes
Temperature Range	34°F - 45°F

COOLING SYSTEM



ELECTRICAL REQUIREMENTS

This unit requires a grounded, polarized 115 VAC, 60 Hz, 15 A power supply (normal household current).



Please visit u-line.com to view this model's User Guide & Service Manual. All Specifications are subject to change without notice.