



Stainless Solid



Integrated Solid



Black Solid



White Solid

Key Features

- Refrigerator volume of 4.2 cu ft holds up to 61 bottles (12 oz) or 114 cans (12 oz)
- Digital touch pad control
- Refrigerator temperature range: 34°F - 45°F
- Produces and stores up to 8 lbs of ice per day
- Crescent ice cube dimensions: 1/2" W x 3/4" H x 2 1/4" L
- White interior is illuminated with LED lighting
- Three removable tempered glass shelves
- No drain required
- Stainless steel handle (7/8" diameter)
- Integrated model requires 3/4" custom door panel and handle (not supplied by U-Line)
- Field reversible door is shipped right-hand hinged
- Built-in or freestanding
- Four adjustable leveling legs

Model Details

| Model | Voltage/Hz | Door Swing | Finish | Shipping Weight |
|---------------|------------|------------------|------------------|-----------------|
| UHRI124-SS01A | 115 / 60 | Field Reversible | Stainless Solid | 129 lb |
| UHRI124-IS01A | 115 / 60 | Field Reversible | Integrated Solid | 126 lb |
| UHRI124-BS01A | 115 / 60 | Field Reversible | Black Solid | 129 lb |
| UHRI124-WS01A | 115 / 60 | Field Reversible | White Solid | 129 lb |

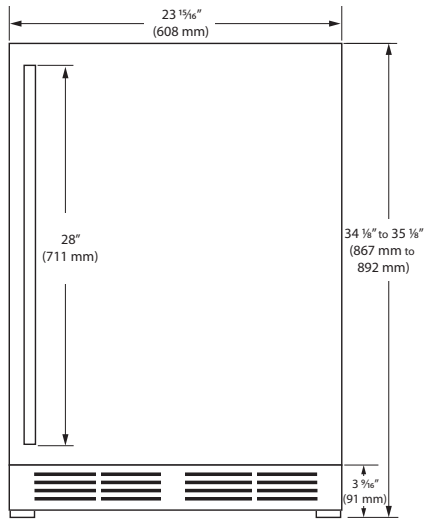
Accessories

| Model | Description | Finish | Shipping Weight |
|----------------|-------------------------------|--------|-----------------|
| ULAFREESTANDB | Freestanding Kit | Black | 3 lb |
| ULAWATERHOOKUP | Braided Water Supply Line Kit | N/A | 2 lb |

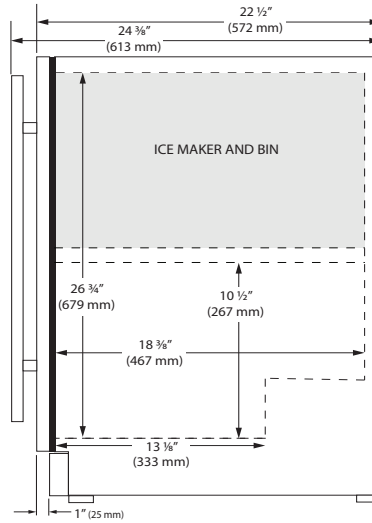
HRI124 • 24" Refrigerator / Ice Maker • 1 Class

Front

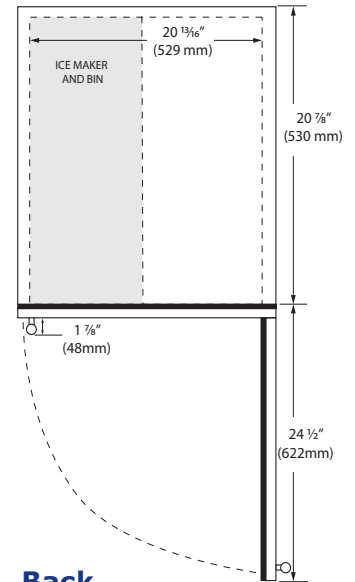
Dimensions shown apply to all finishes, including Integrated (INT) models with 3/4" integrated panel/frame installed.



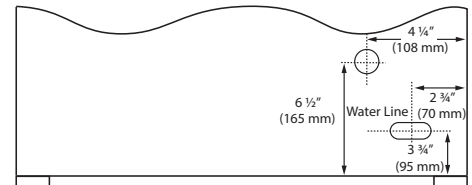
Side



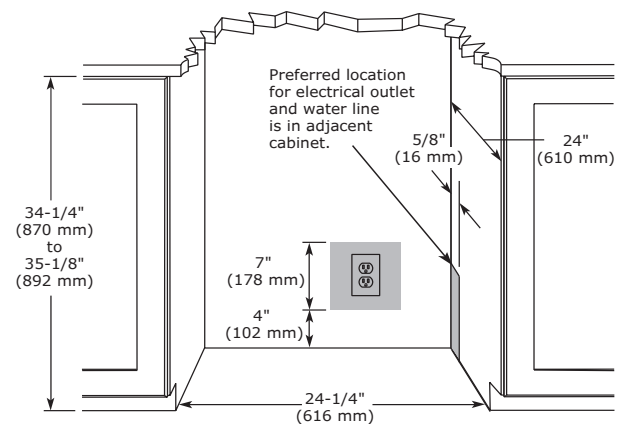
Top



Back



Cabinet Cut-Out



Specifications

| | |
|---------------------------------------|--------------------|
| Model | HRI124 |
| Amps: Running | 2.4 |
| Capacity: Refrigerator Volume (cu ft) | 4.2 |
| Capacity: Bottle | 61 (12oz) |
| Capacity: Can | 114 (12oz) |
| Defrost Type | Frost Free |
| Dimensions: Product Depth | 22 1/2" / 572 mm |
| Dimensions: Product Height | 34 1/8" / 867 mm |
| Dimensions: Product Width | 23 15/16" / 608 mm |
| Energy Consumption: Avg. Per Year | 575 kWh |
| Ice Production Per Day | 8 lb |
| Ice Storage | 8 lb |
| Panel Height | 30 1/4" / 768 mm |
| Panel Thickness | 3/4" / 20 mm |
| Panel Type | Solid Panel |
| Panel Width | 23 3/4" / 603 mm |
| Product Weight: Max | 119 lb |
| Refrigerant Type | R600a (1.34 oz) |
| Sabbath (Star K Certified) | Yes |
| Temperature Range | 34°F - 45°F |

Installation Notes

- No additional clearance is needed for ventilation
- Do not obstruct front grille air flow

Warranty

- 1 Year (parts & labor) / 5 year sealed system (parts)
- + **Additional 1 Year (parts & labor) warranty at no cost with product registration**

See complete warranty for details



Please visit u-line.com to view this model's User Guide & Service Manual. All Specifications are subject to change without notice.

8900 North 55th Street • Milwaukee, Wisconsin 53223 USA • +1.414.354.0300 • sales@u-line.com • u-line.com