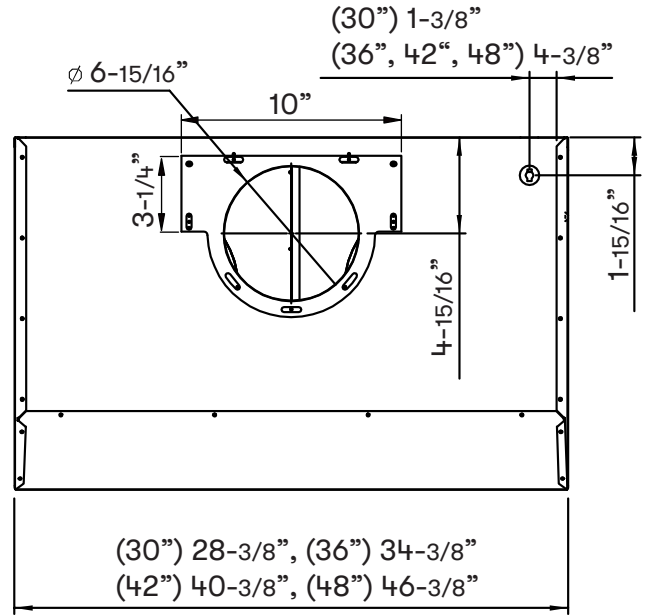
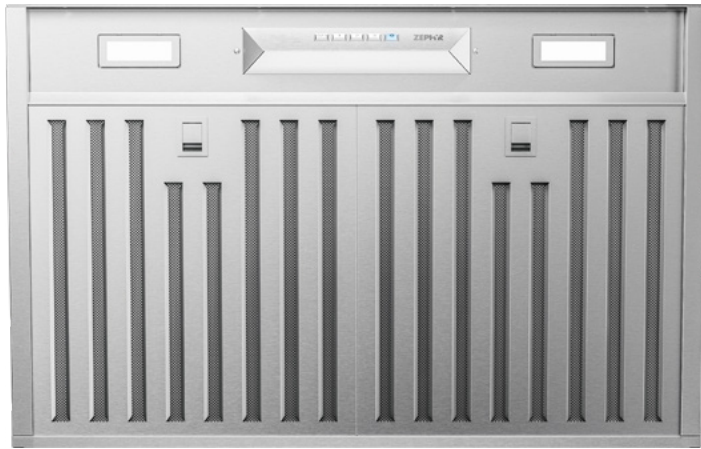
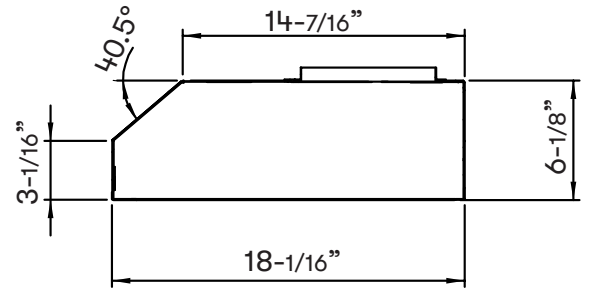


ACT™

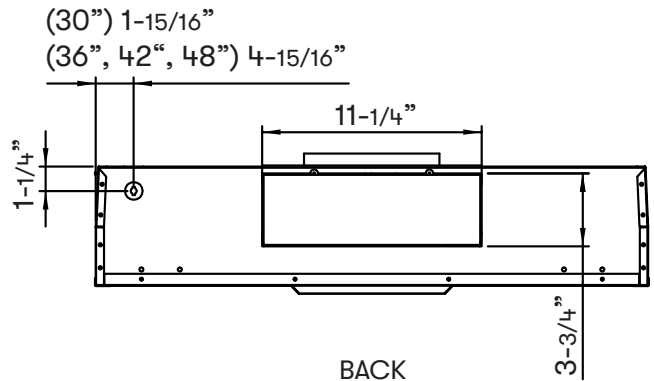
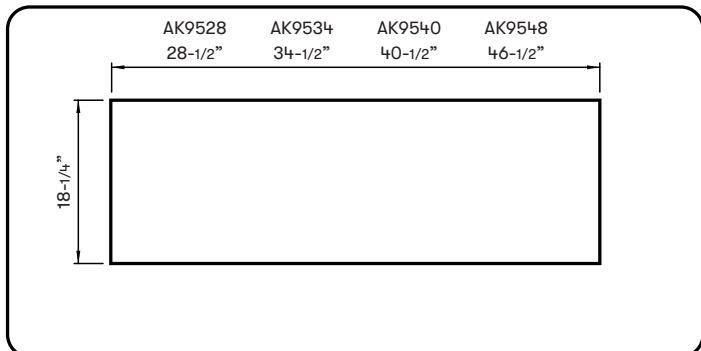
Min. - Max. CFM	INTERNAL BLOWER STANDARD	INTERNAL BLOWER with ACT™ AIRFLOW CONTROL TECHNOLOGY™*	
		290 - 600	290 - 390
Min. - Max. Sones	1.5 - 6	*AIRFLOW CONTROL TECHNOLOGY™ (ACT™) is an exclusive feature built into specific Zephyr hoods which can limit the maximum blower CFM to meet local code requirements.	



TOP



SIDE



BACK

Cabinet Bottom Cut-Out Size (W x D): 28-1/2" x 18-1/4" (AK9528), 34-1/2" x 18-1/4" (AK9534), 40-1/2" x 18-1/4" (AK9540), 46-1/2" x 18-1/4" (AK9548)

MODEL	AK9528AS	AK9534AS	AK9540AS	AK9546AS
Stainless Steel Size	30" (28-3/8")	36" (34-3/8")	42" (40-3/8")	48" (46-3/8")
Blower CFM (Min. - Max.)	290 - 600	290 - 600	290 - 600	290 - 600
Sones (Min. - Max.)	1.5 - 6	1.5 - 6	1.5 - 6	1.5 - 6
ACT 390 CFM (Min. - Max.)	290 - 390	290 - 390	290 - 390	290 - 390
ACT 290 CFM (Min. - Max.)	290 - 290	290 - 290	290 - 290	290 - 290
<b>FEATURES</b>				
ACT™ Technology	390, 290	390, 290	390, 290	390, 290
Controls	Electronic Touch	Electronic Touch	Electronic Touch	Electronic Touch
Speed Levels	3*	3*	3*	3*
Lighting	LumiLight LED, 6W x2	LumiLight LED, 6W x2	LumiLight LED, 6W x2	LumiLight LED, 6W x2
Dual-Level Lighting	Yes	Yes	Yes	Yes
Filters	Hybrid Baffle x2	Hybrid Baffle x2	Hybrid Baffle x2	Hybrid Baffle x3
Recirculating Option	Yes	Yes	Yes	Yes
<b>DUCT SPECIFICATIONS</b>				
Vertical Internal Blower	7" Round, 3-1/4" x 10"	7" Round, 3-1/4" x 10"	7" Round, 3-1/4" x 10"	7" Round, 3-1/4" x 10"
Horizontal Internal Blower	3-1/4" x 10"	3-1/4" x 10"	3-1/4" x 10"	3-1/4" x 10"
AC POWER	120V, 60Hz at Max. 4A	120V, 60Hz at Max. 4A	120V, 60Hz at Max. 4A	120V, 60Hz at Max. 4A
<b>OPTIONAL ACCESSORIES</b>				
Recirculating Kit	ZRC-9100A	ZRC-9100A	ZRC-9100A	ZRC-9100A
Make-Up Air Kit	MUA006A	MUA006A	MUA006A	MUA006A
Damper, 7" Round	AK00067	AK00067	AK00067	AK00067
<b>MOUNTING HEIGHT RANGE**</b>	24" - 36"	24" - 36"	24" - 36"	24" - 36"
<b>WARRANTY</b>	3 years parts, 1 year labor	3 years parts, 1 year labor	3 years parts, 1 year labor	3 years parts, 1 year labor

\*When ACT™ is enabled the maximum speed levels will change. ACT 390 = 2 speeds and ACT 290 = 1 speeds.

\*\*Mounting height refers to distance between top of a 36" tall cooking surface and bottom of hood.

**ACT™** **Airflow Control Technology™ (ACT™)**  
is an exclusive feature built into specific Zephyr hoods which can limit the maximum blower CFM to meet local code requirements.

Specifications subject to change, check zephyronline.com for up-to-date information.  
Zephyr Ventilation | 2277 Harbor Bay Parkway, Alameda, CA 94502 | 888.880.VENT

MAY21.0101

