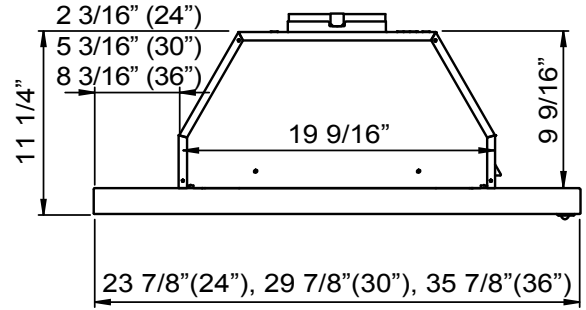
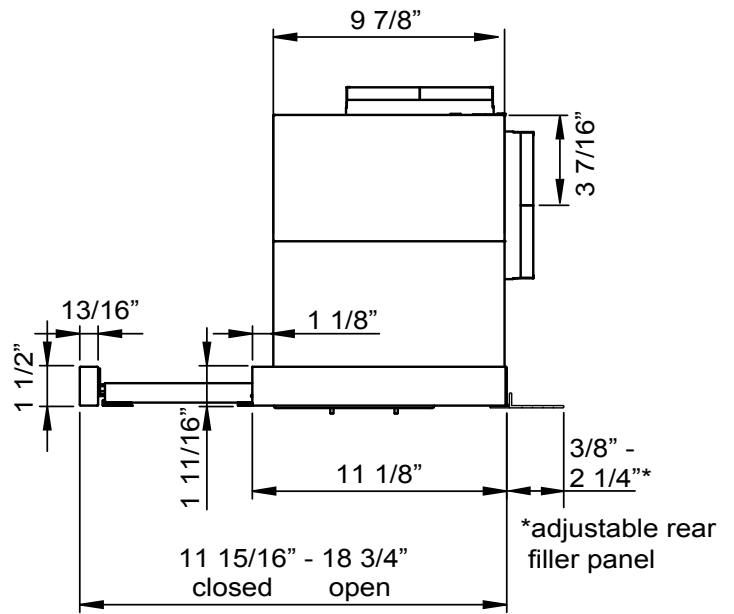


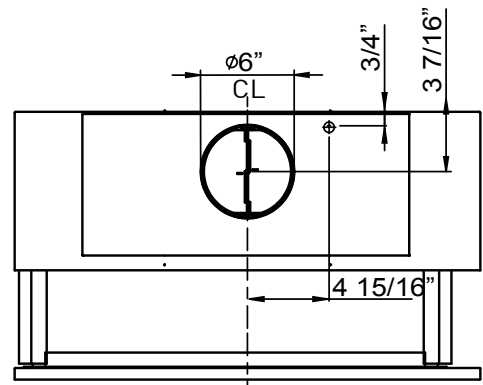
White trim



FRONT



SIDE

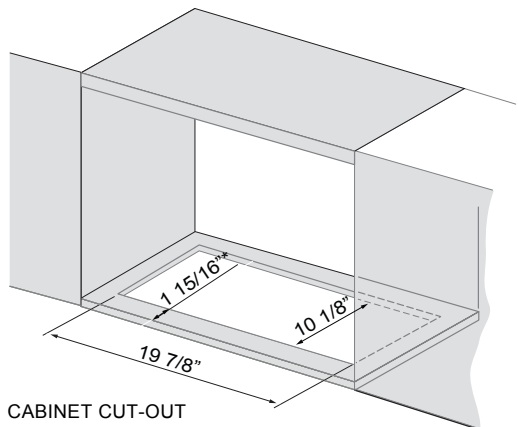


TOP

MODEL	ZPI-E24BG290	ZPI-E24BG ZPI-E24BW	ZPI-E30BG290 ZPI-E30BW290	ZPI-E30BG ZPI-E30BW	ZPI-E36BG290	ZPI-E36BG
Stainless Steel trim* w/ Glass White trim* w/ Glass						
Size	24"	24"	30"	30"	36"	36"
Blower CFM (Min. - Max.)	180 - 290	230 - 500	180 - 290	230 - 500	180 - 290	230 - 500
Sones (Min. - Max.)	1.3 - 3.2	1.7 - 5.3	1.3 - 3.2	1.7 - 5.3	1.3 - 3.2	1.7 - 5.3
FEATURES						
Controls	Mechanical Slide	Mechanical Slide	Mechanical Slide	Mechanical Slide	Mechanical Slide	Mechanical Slide
Speed Levels	3	3	3	3	3	3
Auto Delay-Off	No	No	No	No	No	No
Lighting	LumiLight LED, 6W x1	LumiLight LED, 6W x1	LumiLight LED, 6W x2	LumiLight LED, 6W x2	LumiLight LED, 6W x2	LumiLight LED, 6W x2
Dual-Level Lighting	Yes	Yes	Yes	Yes	Yes	Yes
Filters	Aluminum Mesh x1	Aluminum Mesh x1	Aluminum Mesh x1	Aluminum Mesh x1	Aluminum Mesh x1	Aluminum Mesh x1
Recirculating Option	Yes	Yes	Yes	Yes	Yes	Yes
DUCT SPECIFICATIONS						
Vertical Internal Blower	6" Round	6" Round	6" Round	6" Round	6" Round	6" Round
Horizontal Internal Blower	6" Round	6" Round	6" Round	6" Round	6" Round	6" Round
AC POWER	120V, 60Hz at Max. 2A	120V, 60Hz at Max. 3A	120V, 60Hz at Max. 2A	120V, 60H at Max. 3A	120V, 60Hz at Max. 2A	120V, 60Hz at Max. 3A
OPTIONAL ACCESSORIES						
Recirculating Kit	ZRC-00PI	ZRC-00PI	ZRC-00PI	ZRC-00PI	ZRC-00PI	ZRC-00PI
MOUNTING HEIGHT RANGE**						
Electrical Cooktop	20" - 32"	20" - 32"	20" - 32"	20" - 32"	20" - 32"	20" - 32"
Gas Cooktop	24" - 32"	24" - 32"	24" - 32"	24" - 32"	24" - 32"	24" - 32"
WARRANTY	3 years parts, 1 year labor	3 years parts, 1 year labor	3 years parts, 1 year labor	3 years parts, 1 year labor	3 years parts, 1 year labor	3 years parts, 1 year labor

*Refers to handle color. Body is painted gray.

**Mounting height refers to distance between top of a 36" tall cooking surface and bottom of hood.



CABINET CUT-OUT

*Measured from front of doors in a frameless cabinet
or front of cabinet bottom in a framed cabinet.