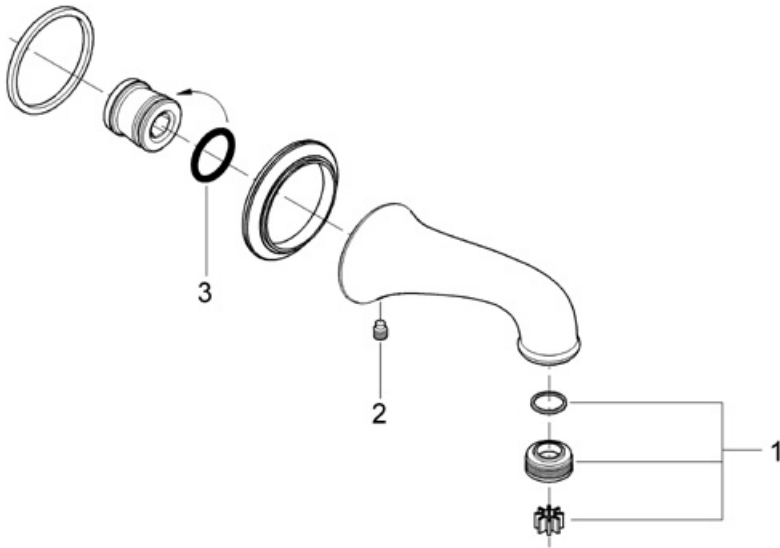


Exploded View



Parts Breakdown

Pos No.	Spare Part Description	Product No.	Pcs.
	13 615		
1	Flow regulator	45 167	1
2	Set screw	03 117	1
3	O-ring	01 210	1