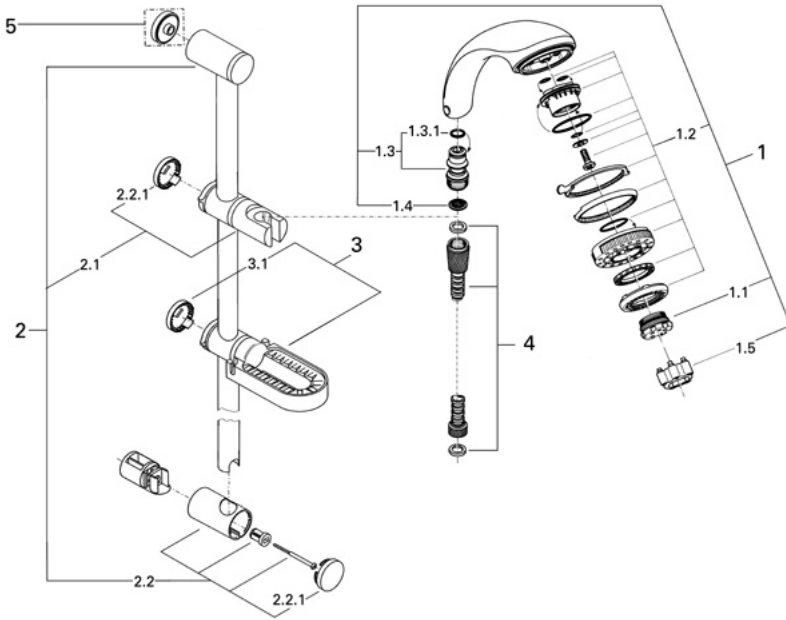


Relexa 28 617
Top 4 hand shower system

Exploded View



Parts Breakdown

Pos No.	Spare Part Description	Product No.	Pcs.
	28 617		
1	Top 4 hand shower	28 179	1
1.1	Pulsator element	45 656	1
1.2	Rose kit	45 660	1
1.3	Male coupling piece	28 637	1
1.3.1	O-ring	01 224	1
1.4	Filter screen	07 002	1
1.5	Relexa plus tool	45 654	1
2	Shower bar	28 620	1
2.1	Hand shower holder	45 650	1
2.2	End bracket	45 651	1
2.2.1	Wall bar cap	45 652	1
3	Soap dish	28 631	1
3.1	Wall bar cap	45 652	1
4	59' metal hose	28 105	1
	Special Accessories		
5	Wall bar spacer	45 459	1