

IMPORTANT INSTRUCTIONS - OPERATING MANUAL

Models: AK863L, AK863FL



Exhaust Fan with Light

READ AND SAVE THESE INSTRUCTIONS

READ CAREFULLY BEFORE ATTEMPTING TO ASSEMBLE, INSTALL, OPERATE OR MAINTAIN THE PRODUCT DESCRIBED. PROTECT YOURSELF AND OTHERS BY OBSERVING ALL SAFETY INFORMATION. FAILURE TO COMPLY WITH INSTRUCTIONS COULD RESULT IN PERSONAL INJURY AND/OR PROPERTY DAMAGE!

RETAIN INSTRUCTIONS FOR FUTURE REFERENCE.

GENERAL SAFETY INFORMATION

When using electrical appliances, basic precautions should always be followed to reduce the risk of fire, electric shock and injury to person, including the following:

1. Read all instructions before installing or using exhaust fan.
2. Use this unit only in the manner intended by the manufacturer. If you have questions, contact the manufacturer.
3. Before servicing or cleaning the unit, switch power off at service panel and lock the service disconnecting means to prevent power from being switched on accidentally. When the service disconnecting means cannot be locked, securely fasten a prominent warning device, such as a tag, to the service panel.
4. Installation work and electrical wiring must be done by qualified person(s) in accordance with all applicable codes and standards, including fire-related construction.
5. Sufficient air is needed for proper combustion and exhausting of gases through the flue (chimney) of fuel burning equipment to prevent back drafting. Follow the heating equipment manufacturer's guideline and safety standards such as those published by the National Fire Protection Association (NFPA) and the American Society for Heating, Refrigeration, and Air Conditioning Engineers (ASHRAE), and the local code authorities.
6. When cutting or drilling into wall or ceiling, do not damage electrical wiring and other hidden utilities.
7. Ducted fans must always be vented to the outdoors.
8. This unit must be grounded.
9. To avoid motor bearing damage and noisy and/or unbalanced impellers, keep drywall spray, construction dust, etc. off power unit.
10. Acceptable for use over a bathtub or shower when installed in a GFCI protected branch circuit.
11. NEVER place a switch where it can be reached from a tub or shower.

WARNING: TO REDUCE THE RISK OF FIRE, ELECTRIC SHOCK, DO NOT USE THIS FAN WITH ANY SOLID-STATE SPEED CONTROL DEVICE.

WARNING: DO NOT USE IN KITCHENS

CAUTION: FOR GENERAL VENTILATING USE ONLY. DO NOT USE TO EXHAUST HAZARDOUS OR EXPLOSIVE MATERIALS AND VAPORS.

SAVE THESE INSTRUCTIONS

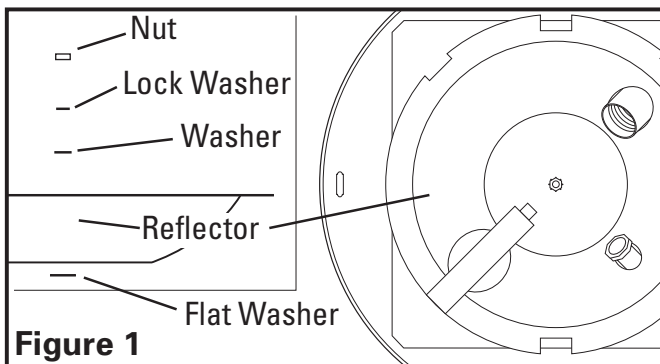
INSTALLATION INSTRUCTIONS

CAUTION: MAKE SURE POWER IS SWITCHED OFF AT SERVICE PANEL BEFORE STARTING INSTALLATION.

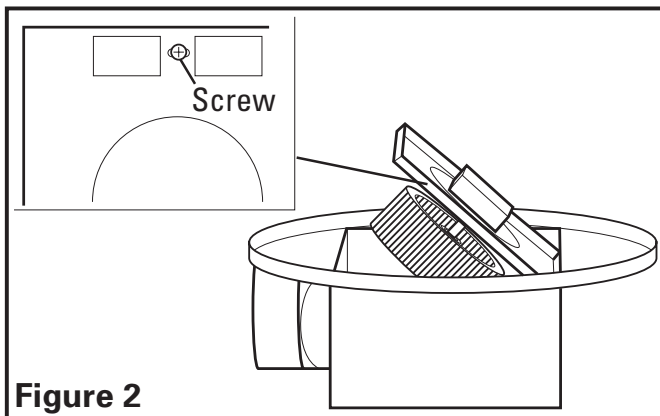
SECTION 1

Preparing the Exhaust Fan

1. Unpack fan from the carton and confirm that all pieces are present. In addition to the exhaust fan you should have:
 - 1 - Grill with Light Lens
 - 1 - Damper Assembly (attached)
 - 4 - Mounting Rails
 - 1 - Instruction/Safety Sheet
2. Remove the fan's light reflector, which is secured in place with one center located screw. Also remove the lock washer and flat washer. Keep all parts in the carton until needed so they do not get damaged or lost (**Figure 1**).

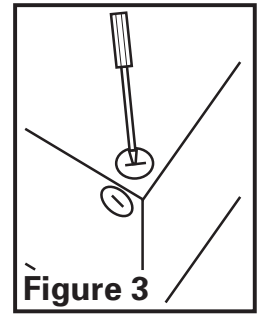


3. Remove the fan's venturi assembly, which is secured in place with one screw through the venturi. Keep the venturi assembly in the carton until needed so it does not get damaged or lost (**Figure 2**).



4. Choose the location for your fan. To ensure the best air and sound performance, it is recommended that the length of ducting and the number of elbows be kept to a minimum, and that insulated hard ducting be used. Larger duct sizes will reduce noise and airflow restrictions. This fan will require at least 6" of clearance in the ceiling or wall, and will mount through drywall up to 3/4" thick. The fan can be mounted directly to the joist using the mounting tabs on the side of the housing or between 16" on center joists using the 4 provided mounting rails.

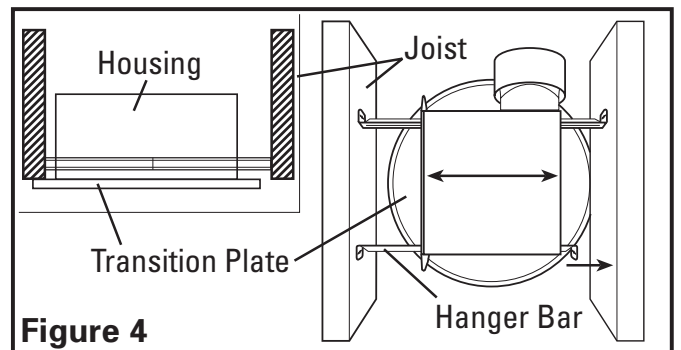
5. Select the most convenient electrical knockout and remove using a straight-blade screw driver (**Figure 3**).



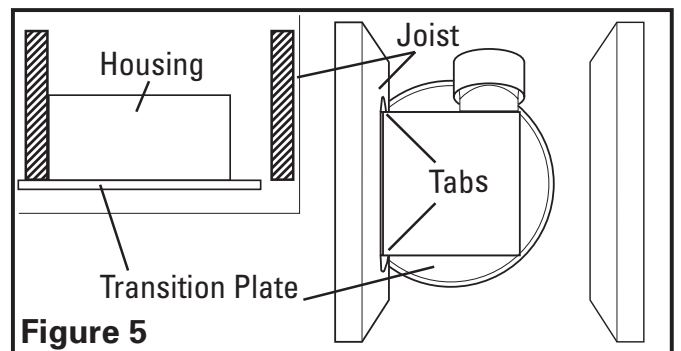
SECTION 2

New Construction

- 1a. **Mounting Rail Installation:** Install the rails on the housing and position the housing next to the joist with the transition plate flush to the underside of the joist. Secure the ends of the rails with screws or nails (not included) to the joists and slide the housing into the final position (**Figure 4**).



- 1b. **Mounting Tab Installation:** Position the fan so that the tabs rest flat against the joist with the transition plate flush to the underside of the joist. Secure with four nails or screws (not provided) to ensure proper installation (**Figure 5**).



SECTION 3

Existing Construction

- 1a. **Mounting Rail Installation:** Set housing in position between the joist and trace an outline onto the ceiling material (**Figure 6**). Set housing aside and cut opening, being careful not to cut or damage any electrical or other hidden utilities. Install the rails on the housing and position the housing in the previously cut hole so that it is flush with the finished ceiling. Secure the ends of the rails with screws or nails (not included) to the joists (**Figure 4**).

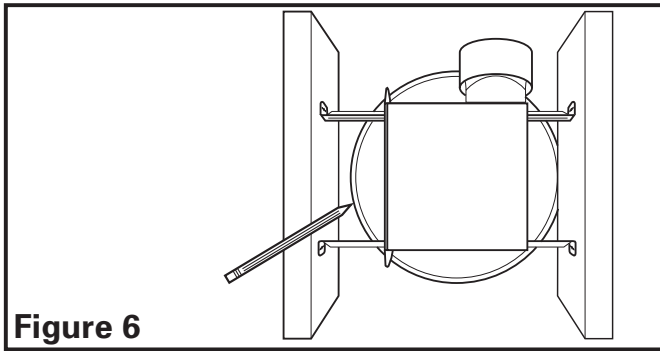


Figure 6

- 1b. **Mounting Tab Installation:** Position housing against the joist and trace an outline of the housing onto the ceiling material (**Figure 7**). Set housing aside and cut opening, being careful not to cut or damage any electrical or other hidden utilities. Place housing next to the joist and insure that it is flush with the finished ceiling. Secure with four screws or nails (not provided) to ensure proper installation (**Figure 5**).

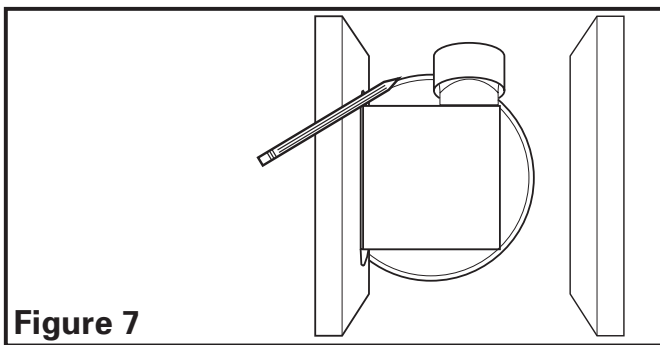


Figure 7

SECTION 4 Ducting

CAUTION: ALL DUCTING MUST COMPLY WITH LOCAL AND NATIONAL BUILDING CODES.

1. Connect the ducting to the fan's duct collar (**Figure 8**). Secure in place using tape or screw clamp. Always duct the fan to the outside through a wall or roof cap.

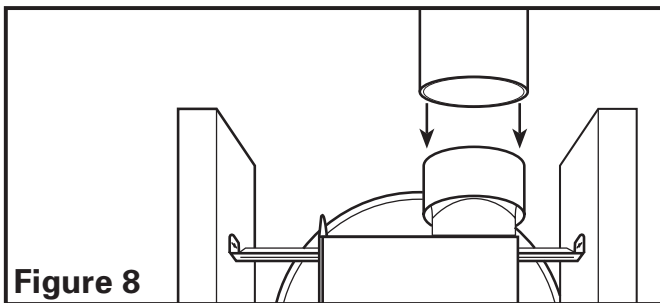


Figure 8

NOTE: If damper detaches from unit, reattach by snapping the collar back onto the unit. It is designed to only fit one way.

SECTION 5 Wiring

CAUTION: MAKE SURE POWER IS SWITCHED OFF AT SERVICE PANEL BEFORE STARTING INSTALLATION.

CAUTION: ALL ELECTRICAL CONNECTIONS MUST BE MADE IN ACCORDANCE WITH LOCAL CODES, ORDINANCES, OR NATIONAL ELECTRICAL CODE. IF YOU ARE UNFAMILIAR WITH METHODS OF INSTALLING ELECTRICAL WIRING, SECURE THE SERVICES OF A QUALIFIED ELECTRICIAN.

1. Run wiring from an approved wall switch carrying the appropriate rating. One neutral (white), one ground (green or bare copper), and three hot (black, red, yellow leads connected to the switch, one for each function). Secure the electrical wires to the housing with an approved electrical connector. Make sure you leave enough wiring in the box to make the connection to the fan's receptacle.
2. From where you have access to the fan's junction box, connect the white wire from the house to the two white wires from the fan. Connect one hot (black) wire from the wall switch to the black wire from the fan (this is the fan control). Connect second hot (red) wire from the wall switch to the red wire from the fan (this is the main light control). Connect the third hot (yellow) wire from the wall switch to the yellow wire from the fan (this is the night light control). Connect the ground wire from the house to the green wire from the fan (**Figure 9**). Use approved methods for all connections.

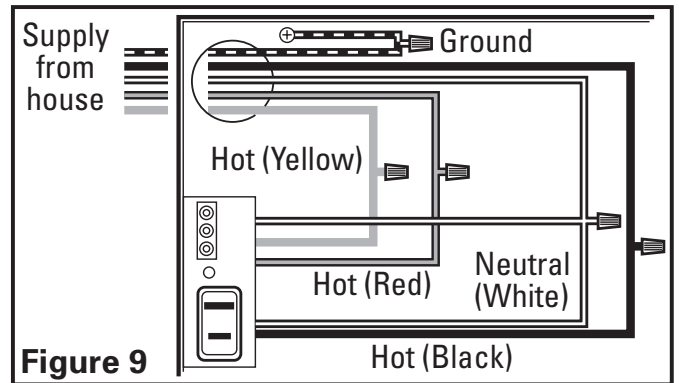


Figure 9

SECTION 6 Completing the Installation

1. Reinstall the fan's venturi by holding it at approximately a 45 degree angle, hook the two tabs on the venturi into the slots on the housing and secure in place by tightening the venturi screw. Rotate the blower wheel by hand to ensure it spins freely. Now plug the fan motor into the receptacle (**Figure 10**).

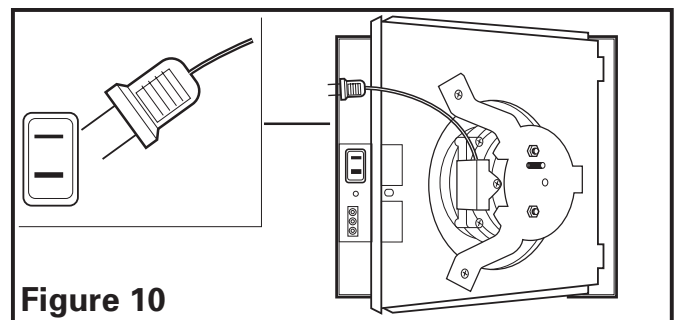


Figure 10

2. Plug cord from lamp holders into the appropriate receptacle (**Figure 11**).

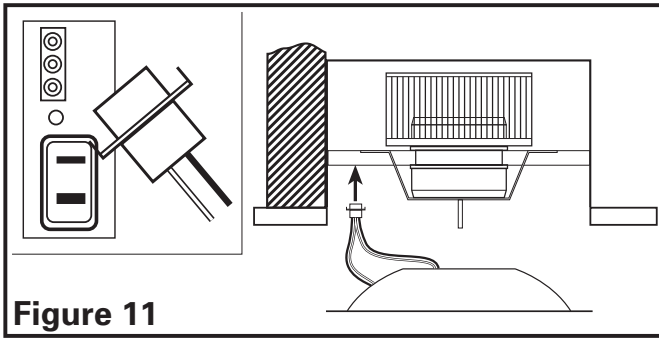


Figure 11

3. Reinstall the light reflector by securing in place on the mounting bolt with the flat washer then the reflector, two lock washers and reflector nut. Tighten nut fully (**Figure 12**).

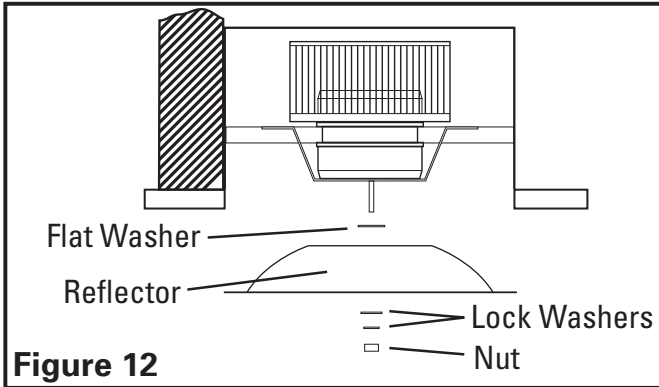


Figure 12

CAUTION: FAILURE TO SECURE THE REFLECTOR BOLT MAY RESULT IN A RATTLING OR HUMMING NOISE.

4. Install the appropriate bulbs (not included) specific to your model:
 - AK863L:** Install a 100 watt maximum, type A19 medium base incandescent bulb (not included) and a 7 watt maximum type C7 (candelabra base) night light (not included).
 - AK863FL:** Install a 26 watt maximum, 2 pin quad, G24-d3 fluorescent lamp (not included) and a 7 watt maximum type C7 (candelabra base) night light (not included).

Sylvania model: CF26DD/841
 GE model: F26DBXT4/SPX41
 Phillips model: PL-C 26W/41/ALTO

CAUTION: WHEN INSTALLING GRILL, BE CAREFUL NOT TO PINCH FINGERS BETWEEN GRILL AND CEILING.

5. Install the grill by squeezing the two ends of the springs together and installing them up into the slots on the fan's housing. Push the grill up into position (**Figure 13**).

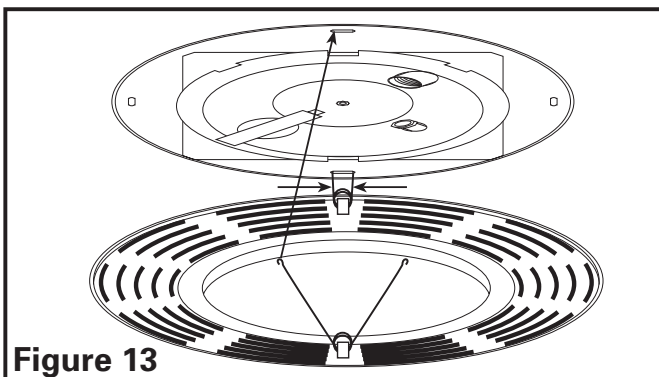


Figure 13

6. Restore power and test your installation.

SECTION 7

Use and Care

CAUTION: MAKE SURE POWER IS SWITCHED OFF AT SERVICE PANEL BEFORE SERVICING THE UNIT.

1. **Cleaning the Grill:** Remove grill and use a mild detergent, such as dishwashing liquid, and dry with a soft cloth. NEVER USE ANY ABRASIVE PADS OR SCOURING POWDERS. Completely dry grill before reinstalling. Refer to instructions in **Section 6** *Completing the Installation*, to reinstall grill.
2. **Cleaning the Fan Assembly:** Wipe all parts with a dry cloth or gently vacuum the fan. NEVER IMMERSE ELECTRICAL PARTS IN WATER.

CAUTION: ALLOW BULB TO COOL BEFORE REPLACING

3. **Changing the Light Bulb:** Disconnect power to the unit. Remove grill by pulling downward on grill and squeezing grill springs together to release from housing (**Figure 14**).

Incandescent Bulb (AK863L): Unscrew bulb from lamp holder and replace with a 100 watt maximum, type A19 medium base incandescent bulb.

Fluorescent Lamp (AK863FL): Remove lamp by gently rocking lamp back and forth while applying outward pressure to release the lamp from the base. Replace with a 26 watt maximum, 2 pin quad, G24-d3 fluorescent lamp.

Night Light (AK863L, AK863FL): Unscrew night light bulb from socket and replace with a 7 watt maximum type C7 (candelabra base) night light bulb.

Sylvania model: CF26DD/841

GE model: F26DBXT4/SPX41

Phillips model: PL-C 26W/41/ALTO

Refer to instructions in **Section 6** *Finishing the Installation*, to reinstall grill.

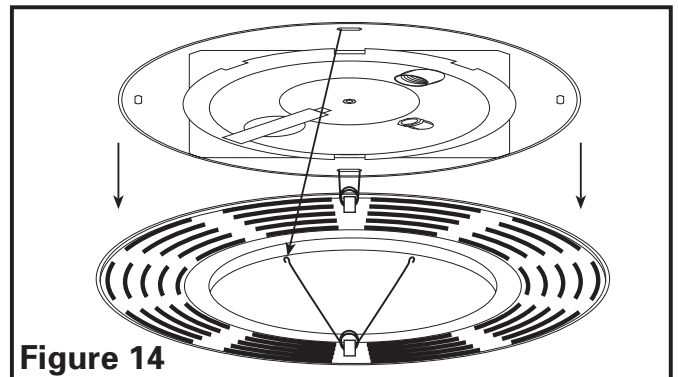


Figure 14

Troubleshooting Guide

Trouble	Probable Cause	Suggested Remedy
1. Fan does not operate when the switch is on.	1a. A fuse may be blown or a circuit tripped. 1b. Connector plug from motor is not plugged in. 1c. Wiring is not connected properly. 1d. Motor has stopped operating.	1a. Replace fuse or reset circuit breaker. 1b. Turn off power to unit. Remove Grill and plug motor into receptacle in housing. Restore power to unit. 1c. Turn off power to unit. Check that all wires are connected. 1d. Replace motor.
2. Fan is operating, but air moves slower than normal.	2. Obstruction in the exhaust ducting.	2. Check for any obstructions in the ducting. The most common are bird nests in the roof cap or wall cap where the fan exhausts to the outside.
3. Fan is operating louder than normal.	3a. Motor is loose. 3b. Fan blade is hitting housing of unit.	3a. Turn off power to unit. Remove grill and check that all screws are fully tightened. Restore power to unit. 3b. Call your dealer for service.

LIMITED WARRANTY

All products manufactured by Air King Limited are warranted for one year from the date of purchase against defects in workmanship and/or material. In addition, all ventilating/exhaust fans, heaters, combination fan lights and/or heaters, and range hoods are guaranteed for five years from the date of purchase against defects in workmanship and/or material.

This warranty does not cover any labor or shipping costs or the cost of replacement components as part of routine maintenance such as: range hood grease filters, charcoal filters or combination charcoal/grease filters; replacement light bulbs in range hoods or bathroom fan/light/bulb heater combinations. As well, any damage or failure caused by abuse, misuse, abnormal usage, faulty installation, or improper maintenance will not be covered by this warranty.

In order to make a claim on this warranty, you must be the original consumer of the product. You will be required to present to Air King the original bill of sale showing: date of purchase, place of purchase and model purchased. Failure to meet these requirements will void your warranty.

Air King will not be held responsible for any bodily injury or damages to personal property or real estate whether caused directly or indirectly by the product. Some states and provinces do not allow the exclusion or limitation of incidental or consequential damages and some states do not allow limitations on how long an implied warranty lasts, so these exclusions or limitations may not apply to you. This warranty gives you specific legal rights and you may have other rights which vary from state to state and province to province.

FOR PARTS OR TECHNICAL ASSISTANCE

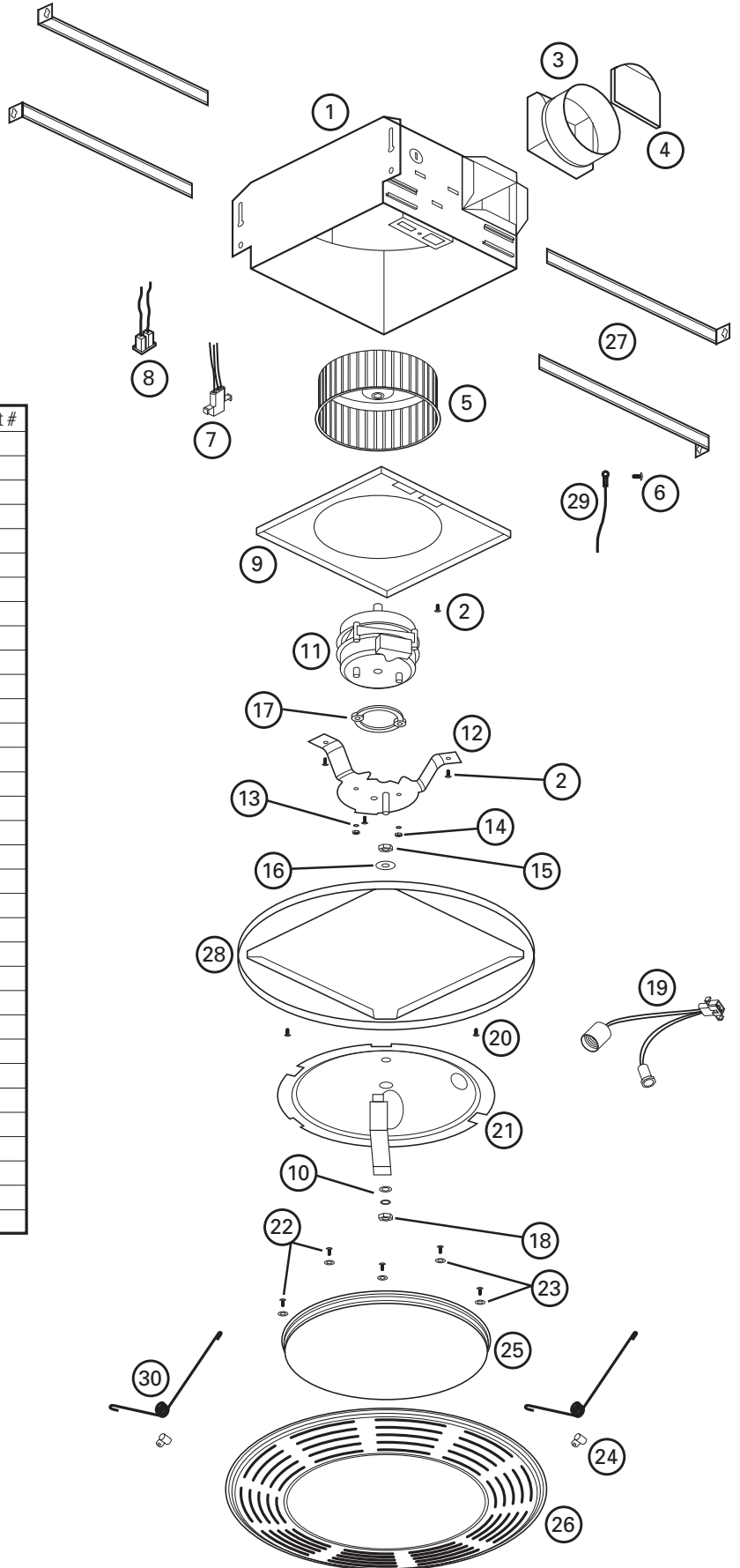
Please call: 1-800-465-7300, **MONDAY THROUGH FRIDAY, BETWEEN THE HOURS OF 8 AM AND 4:00 PM EST.**
PLEASE DO NOT RETURN PRODUCT TO PLACE OF PURCHASE.

Reference the type and style of product (located on label inside of the product) when you call.
 For more information please visit our website: www.airkinglimited.com

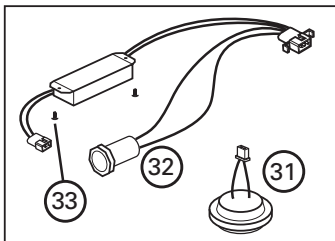
Installer: _____ Installation Date: _____

Place of Purchase: _____ Model Number: _____

REPLACEMENT PARTS DIAGRAM



#	Qty.	Description	Replacement Part #
1	1	Fan Housing	5S3202001
2	5	#8 Screw	5S1999004
3	1	Collar	5S3202003
4	1	Damper	5S3202004
5	1	Blower Wheel	5S3202005
6	1	#10 Ground Screw	5S1999002
7	1	Polarized Nylon Receptacle 3P	5S3202035
8	1	Polarized Receptacle	5S1999001
9	1	Motor Plate	5S3202006
10	2	Lock Washer	5S3202007
11	1	Motor	5S2299005
12	1	Motor Bracket	5S3202008
13	2	Lock Washer	5S3202009
14	2	Motor Nut	5S3202020
15	1	Nut	5S3202021
16	1	Washer	5S3202022
17	1	Rubber Washer	5S3202023
18	1	Reflector Nut	5S3202024
19	1	Lamp Holder Assembly - AK863L	5S3202025
20	2	Screw	5S3202026
21	1	Reflector	5S3202027
22	6	Lens Screw	5S3202028
23	6	Lens Washer	5S3202029
24	2	Clip - Springs	5S3202030
25	1	Glass Lens	5S3202031
26	1	Grill	5S3202032
27	4	Mounting Rail	5S1299002
28	1	Round Transition Plate	5S3202034
29	1	14 ga Ground Wire	5S1999003
30	2	Grill Spring	5S3202033
31	1	Lamp Holder - AK863FL	5S3202040
32	1	Ballast Night Light Holder - AK863FL	5S3202041
33	2	Screw - AK863FL	5S3202042



INSTRUCTIONS IMPORTANTES – MANUEL D'OPÉRATION

Modèles: AK863L, AK863FL



Ventilateur combiner, comprend
lumière et ventilation

LIRE ET CONSERVER CES INSTRUCTIONS

LIRE SOIGNEUSEMENT AVANT DE TENTER D'ASSEMBLER, INSTALLER, OPÉRER OU DE RÉPARER LE PRODUIT DÉCRIT. PROTÉGEZ VOUS-MÊME ET LES AUTRES EN OBSERVANT TOUTE L'INFORMATION DE SÉCURITÉ. FAILLIR À SE CONFORMER AUX INSTRUCTIONS PEUT RÉSULTER EN BLESSURE PERSONNELLE GRAVE ET/OU EN DOMMAGE À LA PROPRIÉTÉ.

CONSERVER CES INSTRUCTIONS POUR RÉFÉRENCES FUTURES.

INSTRUCTIONS GÉNÉRALES DE SÉCURITÉ

Lors de l'utilisation d'appareils électriques, des précautions de base doivent toujours être suivies pour réduire les risques d'incendie, de choc électrique et de blessures corporelles, incluant ce qui suit:

1. Bien lire toutes les instructions avant d'installer ou d'utiliser le ventilateur d'évacuation.
2. Utiliser cette unité seulement de la manière pour laquelle le fabricant l'a conçu. Si vous aviez des questions, veuillez contacter le fabricant.
3. Avant d'effectuer un service ou de nettoyer l'unité, couper l'alimentation électrique dans le panneau de distribution et verrouiller le dispositif de déconnexion afin d'éviter que l'alimentation ne revienne accidentellement. Lorsque le dispositif ne peut être verrouillé, fixer solidement un avis d'avertissement, tel qu'une étiquette, au panneau de distribution.
4. Le travail d'installation et le câblage électrique doivent être effectués par une(des) personne(s) qualifiée(s) en conformité avec tous les codes et normes applicables, incluant la construction relative aux incendies.
5. De l'air en quantité suffisante est requis pour la bonne combustion et l'évacuation de gaz par le conduit (cheminée) provenant d'équipement de brûlage au combustible pour prévenir un refoulement. Suivre les directives du fabricant de l'équipement de chauffage et les normes de sécurité telles que celles publiées par la National Fire Protection Association (NFPA) et de la American Society for Heating, Refrigeration, and Air Conditioning Engineers (ASHRAE), et de celles des autorités locales du code.

AVERTISSEMENT: POUR USAGE DE VENTILATION GÉNÉRALE EXCLUSIVEMENT. NE PAS UTILISER POUR ÉVACUER DU MATÉRIEL ET DES VAPEURS DANGEREUSES OU EXPLOSIVES.

6. Lors de coupe ou de perçage des murs et plafonds, ne pas endommager le filage électrique et autres utilités cachées.
7. Les ventilateurs avec conduits doivent toujours être évacués vers l'extérieur.
8. Cette unité doit être mise à la terre.
9. Pour éviter des dommages aux roulements des moteurs et/ou des hélices bruyantes ou déséquilibrées, empêcher la poussière de cloison sèche, poussière de construction, etc., d'atteindre l'unité de puissance.

AVERTISSEMENT: POUR RÉDUIRE LES RISQUES D'INCENDIE OU DE CHOC ÉLECTRIQUE, NE PAS UTILISER CE VENTILATEUR AVEC UN RÉGULATEUR DE VITESSE ÉLECTRONIQUE.

10. Acceptable pour utilisation au-dessus d'une baignoire ou d'une douche lorsque installé dans un circuit protégé par un disjoncteur de fuite de terre.
11. **NE JAMAIS** placer un interrupteur à un endroit qui puisse être atteint de la baignoire ou de la douche.

AVERTISSEMENT: NE PAS UTILISER DANS LES CUISINES

CONSERVER CES INSTRUCTIONS

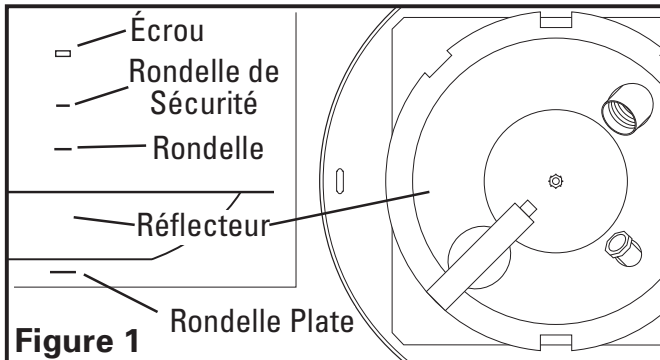
INSTRUCTIONS D'INSTALLATION

AVERTISSEMENT: VOUS ASSURER QUE L'ALIMENTATION EST COUPÉE AU PANNEAU DE SERVICE AVANT DE COMMENCER L'INSTALLATION.

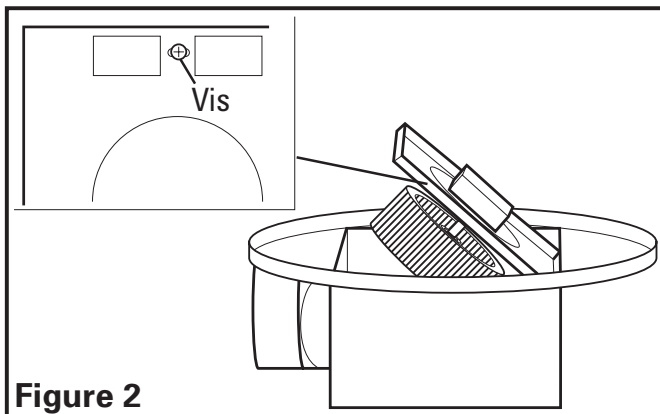
SECTION 1

Préparation du Ventilateur d'évacuation

- Sortir le ventilateur de sa boîte et confirmer que toutes les pièces sont présentes. En plus du ventilateur d'évacuation vous devriez avoir:
 - 1 - Grille avec les Lentilles de l'éclairage
 - 1 - Ensemble de clapet (attaché)
 - 4 - Traverses de Montage
 - 1 - Feuillet d'instructions / sécurité
- Enlever le réflecteur de lumière du ventilateur, lequel est fixé en place avec une vis localisée au centre. Aussi enlever la rondelle de sécurité et la rondelle plate. Conserver toutes ces pièces dans la boîte jusqu'au besoin pour assurer de ne pas les perdre ou les endommager. (Figure 1).



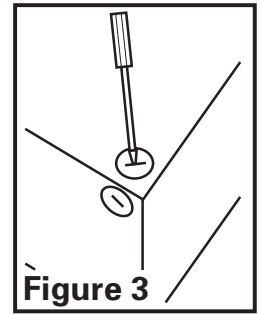
- Enlever l'assemblage du venturi du ventilateur, lequel est fixé en place avec une vis au travers du venturi. Conserver l'assemblage du venturi dans la boîte jusqu'au besoin pour assurer de ne pas le perdre ou l'endommager. (Figure 2).



- Choisir un emplacement pour votre ventilateur. Pour assurer la meilleure performance de l'air et sonore, il est recommandé que la longueur des conduits et que le nombre de coudes soit gardé au minimum, et que des conduits rigides isolés soient utilisés. Des plus grands formats de conduits réduiront le bruit et les restrictions au débit d'air. Ce ventilateur nécessite au moins 15,2cm (6po) de dégagement du mur ou du plafond et peut s'installer au travers de cloisons sèches d'épaisseur de 1,9cm (3/4po). Le ventilateur peut être monté directement

sur la solive à l'aide des onglets de montage où entre les 40,6cm (16po) au centre des solives en utilisant les 4 traverses de montages fournies.

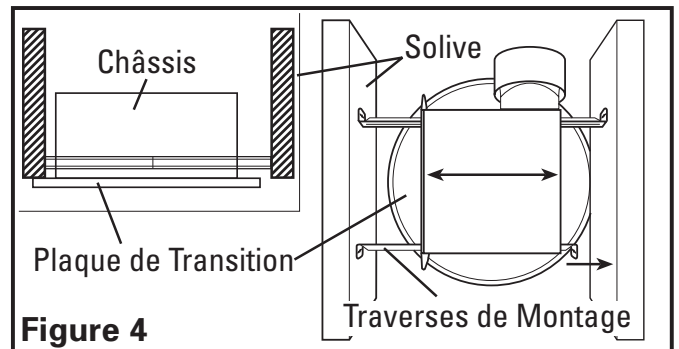
- Sélectionner l'alvéole défonçable la mieux appropriée et l'enlever à l'aide d'un tournevis à lame plate (Figure 3).



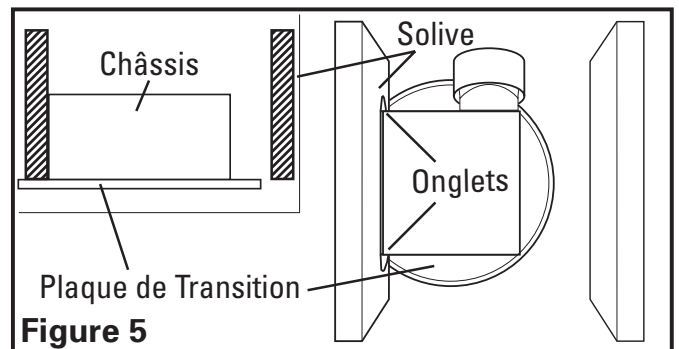
SECTION 2

Nouvelle construction

- Installation du guide de montage:** installer les guides sur le châssis et positionner le châssis près de la solive avec la plaque de transition à effleurement avec le côté inférieur de la solive. Fixer les extrémités des guides avec des vis ou des clous (non-compris) aux solives et glisser le châssis à sa position finale (Figure 4).



- Installation des onglets de montage:** positionner le ventilateur pour que les onglets reposent à plat contre la solive avec la plaque de transition à effleurement avec le côté inférieur de la solive. Fixer en place à l'aide de quatre vis ou clous (non-compris) pour assurer une bonne installation (Figure 5).



SECTION 3

Construction Existante

- Installation des Traverses de Montage:** placer le châssis en position entre les solives et tracer un contour sur le matériau du plafond (Figure 6). Mettre le châssis de côté et découper l'ouverture, en prenant soin de ne pas couper ou endommager des câbles électriques dissimulés ou autres utilités. Installer les traverses sur le châssis et positionner le châssis dans le trou percé précédemment afin qu'il soit à effleurement avec le plafond fini. Fixer les extrémités des traverses aux solives (Figure 4).

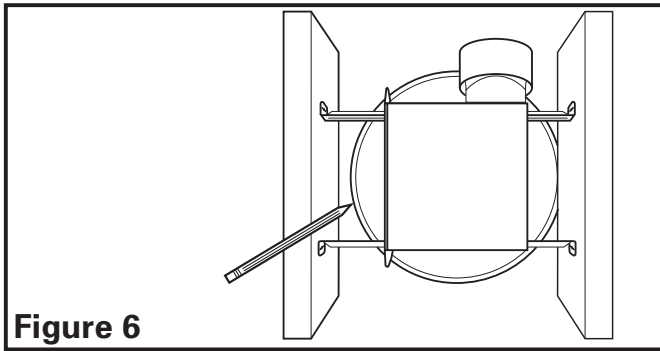


Figure 6

- 1b. **Installation des Onglets de montage:** positionner le châssis contre la solive et tracer un contour du châssis sur le matériau du plafond (**Figure 7**). Mettre le châssis de côté et découper l'ouverture, en prenant soin de ne pas couper de câble électrique dissimulé ou autre utilité. Placer le châssis près de la solive et vous assurer qu'il soit à effleurement avec le plafond fini. Fixer avec quatre (4) clous (non-compris) pour assurer une installation adéquate (**Figure 5**).

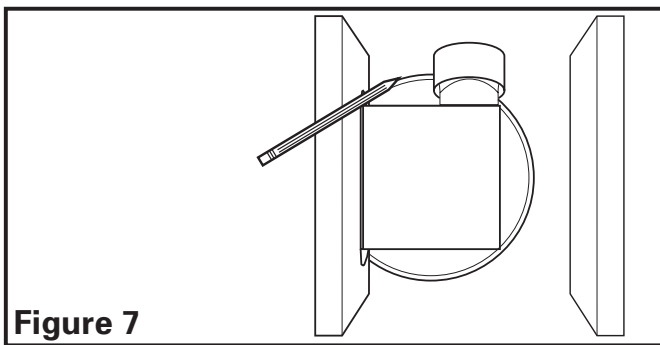


Figure 7

SECTION 4

Conduits

AVERTISSEMENT: TOUS LES CONDUITS DOIVENT ÊTRE CONFORMES AUX CODES DU BÂTIMENT LOCAUX ET NATIONAUX.

1. Raccorder le conduit au collet de conduit du ventilateur (**Figure 8**). Fixer en place à l'aide de ruban ou de serre-joint. Toujours évacuer le ventilateur vers l'extérieur au travers de chapeau mural ou de toit.

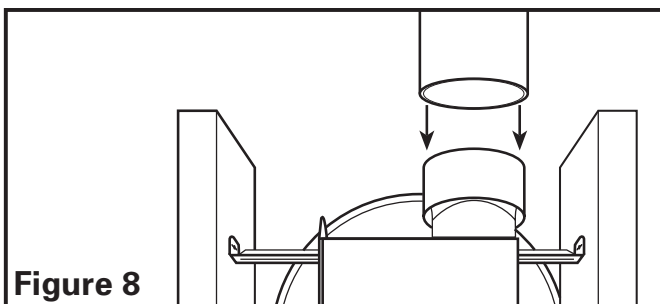


Figure 8

REMARQUE: Si le clapet se détache de l'unité, le rattacher en cliquant le collet sur l'unité. Il est conçu pour ne s'assembler que d'une seule manière.

SECTION 5

Câblage

AVERTISSEMENT: VOUS ASSURER QUE L'ALIMENTATION EST COUPÉE AU PANNEAU DE SERVICE AVANT DE COMMENCER L'INSTALLATION.

AVERTISSEMENT: TOUTES LES CONNEXIONS DOIVENT ÊTRE FAITES EN CONFORMITÉ AVEC LES CODES ÉLECTRIQUES LOCAUX OU NATIONAUX. SI VOUS N'ÊTES PAS FAMILIER AVEC LES MÉTHODES D'INSTALLATION DE CÂBLAGE ÉLECTRIQUE, RECOURREZ AUX SERVICES D'UN ÉLECTRICIEN QUALIFIÉ.

1. Courir le câblage à partir d'un commutateur mural approuvé et de capacité appropriée. Un fil de neutre (blanc), un fil de mise à la terre (vert ou cuivre nu) et trois fils vivants (les fils noir, rouge, jaune raccordés à l'interrupteur, un pour chaque fonction). Fixer les câbles électriques au châssis à l'aide de connecteur électrique approuvé. Assurez-vous que vous laissez suffisamment de câble dans la boîte pour permettre le raccordement au réceptacle du ventilateur.
2. De là où vous avez accès à l'intérieur de la boîte de jonction du ventilateur, connecter le fil blanc provenant de la résidence aux deux fils blanc du ventilateur. Connecter le fil vivant (noir) de l'interrupteur mural au fil noir du ventilateur. Connecter le second fil vivant (rouge) de l'interrupteur mural au fil rouge du ventilateur (celui-ci est pour le contrôle principal). Connecter le troisième fil vivant (jaune) de l'interrupteur mural au fil jaune du ventilateur (celui-ci est pour le contrôle de lumière). Connecter le fil de mise à la terre provenant de la résidence au fil vert du ventilateur (**Figure 9**). Utiliser des méthodes approuvées pour toutes les connexions.

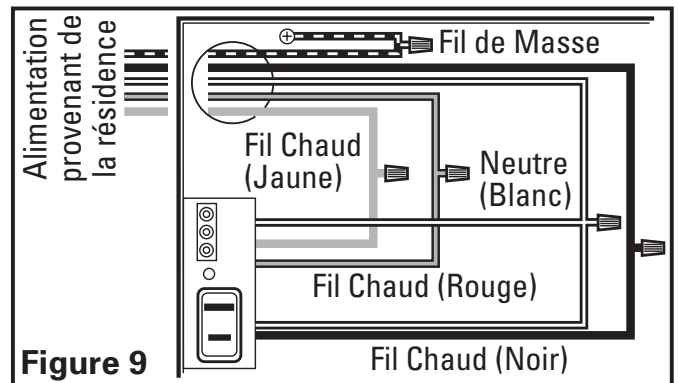


Figure 9

SECTION 6

Complétion de l'installation

1. Réinstaller le venturi du ventilateur en le tenant à un angle d'environ 45 degrés, accrocher les deux onglets sur le venturi dans les fentes sur le cabinet et fixer en place en serrant les vis du venturi. Faire tourner la roue de la soufflante à la main pour s'assurer qu'elle tourne librement. Maintenant, connecter le moteur du ventilateur dans le réceptacle (**Figure 10**).

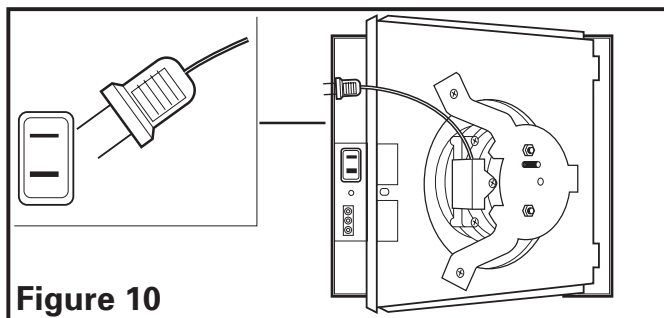


Figure 10

2. Connecter le cordon des socles de lampe dans le réceptacle approprié (Figure 11).

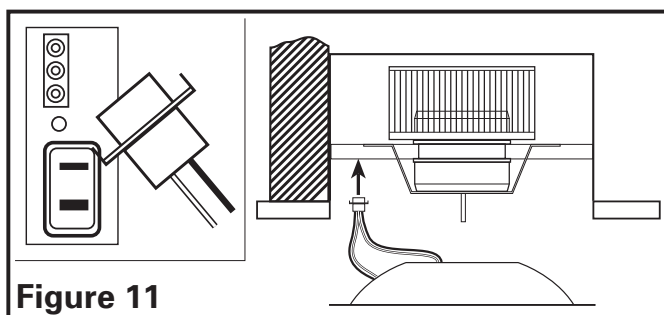


Figure 11

3. Réinstaller le réflecteur de lumière en le fixant en place sur les boulons de montage avec les rondelles, puis le réflecteur, les deux rondelles de sécurité et le boulon du réflecteur. Serrer entièrement le boulon (Figure 12).

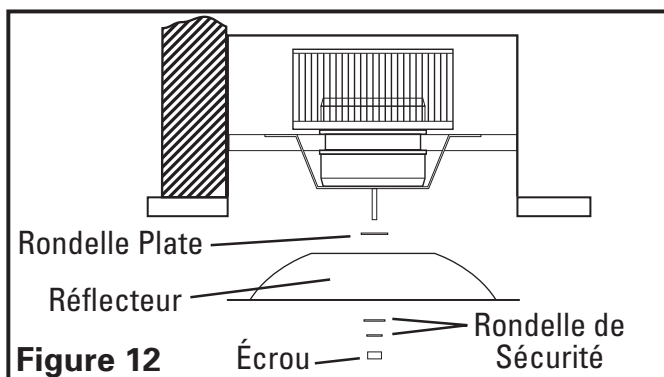


Figure 12

AVERTISSEMENT: UN MANQUEMENT À BIEN SERRER LE BOULON DU RÉFLECTEUR PEUT RÉSULTER EN UN BRUIT DE CRÉCELLEMENT ET DE RONRONNEMENT.

4. Installer les ampoules appropriées (non-comprises) spécifiques à votre modèle:

AK863L: Installer une ampoule incandescente à culot moyen de type A19 (non-comprise) et une ampoule d'un maximum de 7 watts de type C7 (culot de type candélabre), la lampe de nuit (non-comprise).

AK863FL: Installer une ampoule fluorescente d'un maximum de 26 watts, quad à 2 tiges de type G24-d3 (non-comprise) et une ampoule incandescente d'un maximum de 7 watts de type C7 (culot de type candélabre), la lampe de nuit (non-comprise).

Modèle Sylvania: CF26DD/841

Modèle GE: F26DBXT4/SPX41

Modèle Phillips: PL-C 26W/41/ALTO

AVERTISSEMENT: LORSQUE VOUS INSTALLEREZ LA GRILLE, PRENEZ SOIN DE NE PAS COINCER VOS DOIGTS ENTRE LA GRILLE ET LE PLAFOND.

5. Installer la grille en pressant ensemble les deux extrémités des ressorts et en les installant dans les fentes du châssis du ventilateur. Pousser la grille en position (Figure 13).

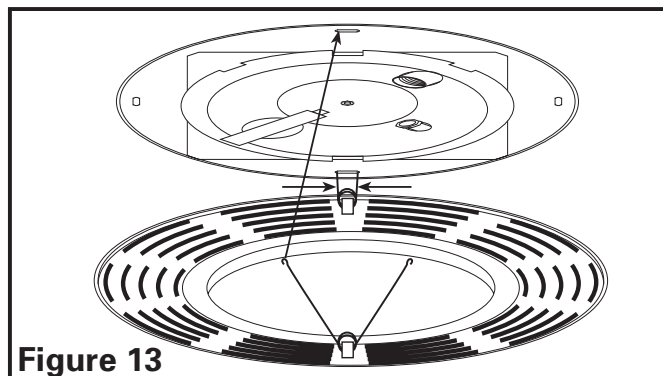


Figure 13

6. Restaurer l'alimentation et tester votre installation.

SECTION 7

Utilisation et entretien

AVERTISSEMENT: VOUS ASSURER QUE L'ALIMENTATION EST COUPÉE AU PANNEAU DE SERVICE AVANT DE COMMENCER L'INSTALLATION.

1. **Nettoyage de la grille:** Retirer la grille et utiliser un détergent doux, tel que du liquide pour la vaisselle, puis sécher à l'aide d'un chiffon doux. NE JAMAIS UTILISER D'ABRASIF OU DE POUDRE À RÉCURER. Sécher complètement la grille avant de la réinstaller. Pour réinstaller la grille, vous référer à la Section 6 - Complétion de l'installation.
2. **Nettoyage de l'assemblage du ventilateur:** nettoyer toutes les pièces avec un chiffon sec ou passer délicatement l'aspirateur dans le ventilateur. NE JAMAIS IMMERGER DES PIÈCES ÉLECTRIQUES DANS L'EAU.

AVERTISSEMENT: PERMETTRE À L'AMPOULE DE SE REFROIDIR AVANT DE LA REPLACER

3. **Remplacement de l'ampoule:** Débrancher l'alimentation de l'unité. Enlever la grille en la tirant vers le bas et en pressant ensemble les ressorts de la grille pour dégager le bâti (Figure 14).

Ampoule Incandescente (AK863L): Dévisser l'ampoule du socle et la remplacer avec une ampoule incandescente d'un maximum de 100 watts, de type A19 à culot moyen.

Ampoule Fluorescente (AK863FL): Enlever l'ampoule en balançant vers l'avant et l'arrière tout en appliquant une pression externe pour dégager l'ampoule du socle. Remplacer l'ampoule avec une ampoule fluorescente d'un maximum de 26 watts, quad à 2 tiges de type G24-d3.

Modèle Sylvania: CF26DD/841

Modèle GE: F26DBXT4/SPX41

Modèle Phillips: PL-C 26W/41/ALTO

Lumière de Nuit (AK863L, AK863FL): Dévisser l'ampoule de lumière de nuit de son socle et la remplacer avec une ampoule de lumière de nuit de type C7 d'un maximum de 7 watts (culot de type candélabre).

Référez-vous à la **Section 6 Terminer l'installation**, pour réinstaller la grille.

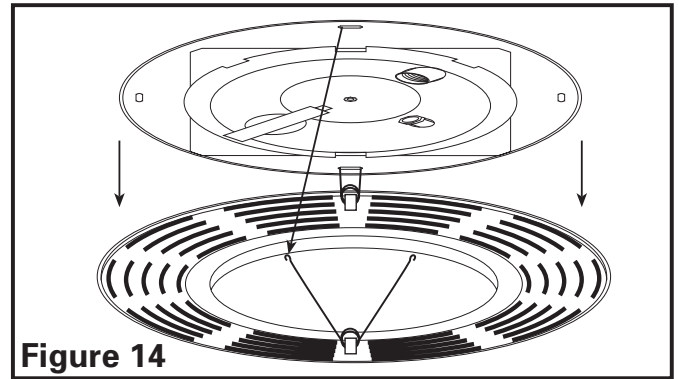


Figure 14

Guide de dépannage

Trouble	Cause Possible	Solution Suggérée
1. Le ventilateur ne fonctionne pas lorsque l'interrupteur est à la position en marche.	1a. Un fusible peut être grillé ou un disjoncteur peut être déclenché. 1b. La fiche de raccord du moteur n'est pas connectée. 1c. Le câblage n'est pas raccordé correctement. 1d. La moterie est terminée	1a. Remplacer le fusible ou réinitialiser le disjoncteur. 1b. Couper l'alimentation à l'unité. Retirer la grille et brancher le moteur dans le réceptacle dans le cabinet. Remettre l'alimentation sur l'unité. 1c. Couper l'alimentation de l'unité. Vérifier que tous les fils sont raccordés. 1d. Remplacez la moterie
2. Le ventilateur fonctionne, mais l'air circule plus lentement que la normale.	2. Obstruction dans les conduits d'évacuation.	2. Vérifier pour toute obstruction dans les conduits. Les plus courantes sont des nids d'oiseau dans le chapeau de toit ou mural là où le ventilateur s'évacue vers l'extérieur.
3. Le ventilateur fonctionne de manière plus bruyante que la normale.	3a. Le moteur est lâche. 3b. L'hélice du ventilateur frotte contre le cabinet de l'unité.	3a. Couper l'alimentation à l'unité. Retirer la grille et vérifier que toutes les vis sont complètement serrées. Remettre l'alimentation sur l'unité. 3b. Appeler votre marchand pour un service.

GARANTIE LIMITÉE

Tous les produits fabriqués par Air King Limited sont garantis pour un an à partir de la date d'achat contre les défauts de main d'œuvre et/ou de matériel. De plus, tous les ventilateurs / évacuateurs, chaufferettes, combinés ventilateur/ lumière et/ou les chaufferettes et les hottes de cuisine sont garantis pour cinq années à partir de la date d'achat contre les défauts de main d'œuvre et/ou de matériel.

Cette garantie ne couvre pas de coûts de transport ou de main d'œuvre ou le coût de remplacement de composantes faisant partie d'entretien de routine tels que : Filtres à graisse des hottes de cuisine, filtres au charbon ou combiné filtre à graisse/ charbon ; ampoules électriques de remplacement dans les hottes de cuisine ou les combinés ventilateur/ lumière/ chaufferette pour salle de bain. Aussi, tout dommage ou défaillance causé par un abus, une mauvaise utilisation, une installation fautive ou un entretien incorrect ne sera pas couvert par cette garantie.

De manière à effectuer une réclamation sous cette garantie, vous devez être l'acheteur original du produit. Il vous sera exigé de présenter la facture d'achat originale à Air King, qui démontrera : La date d'achat, l'endroit de l'achat et le modèle acheté. Le manquement à rencontrer ces exigences annulera votre garantie.

Air King ne sera pas tenu responsable de quelque blessure corporelle ou dommage à la propriété ou à l'immeuble que ce soit causé directement ou indirectement par le produit. Certains États ne permettent pas de limitation sur la durée de la garantie implicite, ou l'exclusion ou la limitation de dommages indirects ou accessoires, ainsi, ces limitations et exclusions peuvent ne pas s'appliquer à vous. Cette garantie vous donne des droits légaux spécifiques et vous pouvez aussi avoir des droits qui varient d'un État à l'autre et d'une province à l'autre.

POUR DES PIÈCES OU DE L'ASSISTANCE TECHNIQUE

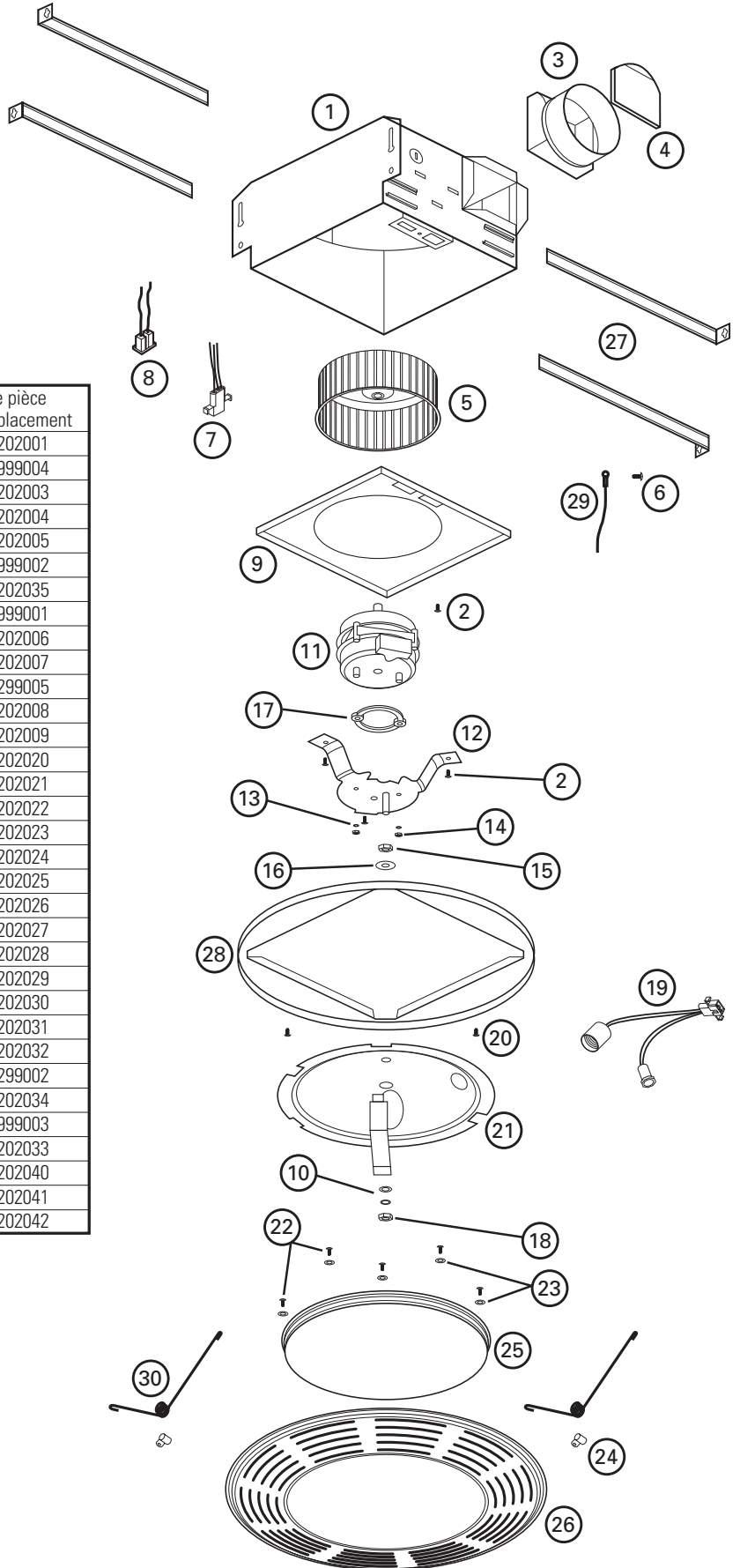
Veuillez appeler au 1-800-465-7300, **DU LUNDI AU VENDREDI ENTRE 8:00 HRE ET 16:00 HRE HNE.**
VEUILLEZ NE PAS RETOURNER CE PRODUIT À L'ENDROIT DE L'ACHAT D'ORIGINE.

Référencer le type et le style du produit (localisé sur l'étiquette à l'intérieur du produit) lorsque vous appelez.
Pour plus d'information, veuillez visiter le site Web de Air King au www.airkinglimited.com

Installateur: _____ Date d'installation: _____

Endroit de l'achat: _____ Numéro de modèle: _____

DIAGRAMME DES PIÈCES DE REMPLACEMENT



#	Qty.	Description	# de pièce de remplacement
1	1	Cabinet du ventilateur	5S3202001
2	5	Vis #8	5S1999004
3	1	Collet	5S3202003
4	1	Clapet	5S3202004
5	1	Roue de la Soufflante	5S3202005
6	1	Vis #10 de mise à la terre	5S1999002
7	1	Réceptacle 3P Polarisé	5S3202035
8	1	Réceptacle Polarisé	5S1999001
9	1	Plaque de Moteur	5S3202006
10	2	Rondelle de Sécurité	5S3202007
11	1	Moteur	5S2299005
12	1	Support de moteur	5S3202008
13	2	Rondelle de Sécurité	5S3202009
14	2	Écrou du moteur	5S3202020
15	1	Écrou	5S3202021
16	1	Rondelle	5S3202022
17	1	Rondelle de caoutchouc	5S3202023
18	1	Écrou du réflecteur	5S3202024
19	1	Assemblage du socle de lampe - AK863L	5S3202025
20	2	Vis	5S3202026
21	1	Réflecteur	5S3202027
22	6	Vis de lentilles	5S3202028
23	6	Rondelles de lentilles	5S3202029
24	2	Clip - ressorts	5S3202030
25	1	Lentilles de Verre	5S3202031
26	1	Grille	5S3202032
27	4	Traverses de Montage	5S1299002
28	1	Plaque de transition ronde	5S3202034
29	1	Fil de mise à la terre de calibre #14	5S1999003
30	2	Ressorts de la grille	5S3202033
31	1	Socle de Lampe - AK863FL	5S3202040
32	1	Socle du ballast de la lampe de nuit - AK863FL	5S3202041
33	2	Vis - AK863FL	5S3202042

