

IMPORTANT INSTRUCTIONS - OPERATING MANUAL

Models: AK150LS,
AK200LS, AK300LS



Exhaust Fan

READ AND SAVE THESE INSTRUCTIONS

READ CAREFULLY BEFORE ATTEMPTING TO ASSEMBLE, INSTALL, OPERATE OR MAINTAIN THE PRODUCT DESCRIBED. PROTECT YOURSELF AND OTHERS BY OBSERVING ALL SAFETY INFORMATION. FAILURE TO COMPLY WITH INSTRUCTIONS COULD RESULT IN PERSONAL INJURY AND/OR PROPERTY DAMAGE!

RETAIN INSTRUCTIONS FOR FUTURE REFERENCE.

GENERAL SAFETY INFORMATION

When using electrical appliances, basic precautions should always be followed to reduce the risk of fire, electric shock and injury to person, including the following:

1. Read all instructions before installing or using exhaust fan.
2. Use this unit only in the manner intended by the manufacturer. If you have questions, contact the manufacturer.
3. Before servicing or cleaning the unit, switch power off at service panel and lock the service disconnecting means to prevent power from being switched on accidentally. When the service disconnecting means cannot be locked, securely fasten a prominent warning device, such as a tag, to the service panel.
4. Installation work and electrical wiring must be done by qualified person(s) in accordance with all applicable codes and standards, including fire-related construction.
5. Sufficient air is needed for proper combustion and exhausting of gases through the flue (chimney) of fuel burning equipment to prevent back drafting. Follow the heating equipment manufacturer's guideline and safety standards such as those published by the National Fire Protection Association (NFPA) and the American Society for Heating, Refrigeration, and Air Conditioning Engineers (ASHRAE), and the local code authorities.
6. When cutting or drilling into wall or ceiling, do not damage electrical wiring and other hidden utilities.
7. Ducted fans must always be vented to the outdoors.
8. This unit must be grounded.
9. To avoid motor bearing damage and noisy and/or unbalanced impellers, keep drywall spray, construction dust, etc. off power unit.
10. Acceptable for use over a bathtub or shower when installed in a GFCI protected branch circuit.
11. NEVER place a switch where it can be reached from a tub or shower.

WARNING: TO REDUCE THE RISK OF FIRE, ELECTRIC SHOCK, DO NOT USE THIS FAN WITH ANY SOLID-STATE SPEED CONTROL DEVICE.

WARNING: DO NOT USE IN KITCHENS

CAUTION: FOR GENERAL VENTILATING USE ONLY. DO NOT USE TO EXHAUST HAZARDOUS OR EXPLOSIVE MATERIALS AND VAPORS.

SAVE THESE INSTRUCTIONS

INSTALLATION INSTRUCTIONS

CAUTION: MAKE SURE POWER IS SWITCHED OFF AT SERVICE PANEL BEFORE STARTING INSTALLATION.

SECTION 1

Preparing the Exhaust Fan

1. Unpack fan from the carton and confirm that all pieces are present. In addition to the exhaust fan you should have:
 - 1 - Grill
 - 1 - Damper Assembly (attached)
 - 2 - Mounting Brackets
 - 1 - Mounting Flange
 - 4 - 10-32 Nuts
 - 1 - Instruction/Safety Sheet
2. Choose the location for your fan. To ensure the best air and sound performance, it is recommended that the length of ducting and the number of elbows be kept to a minimum, and that insulated hard ducting be used. Larger duct sizes will reduce noise and airflow restrictions. This fan will require at least 10" of clearance in the ceiling or wall, and will mount through drywall up to 3/4" thick.
3. Select the most convenient electrical knockout and remove using a straight-blade screw driver (**Figure 1**).

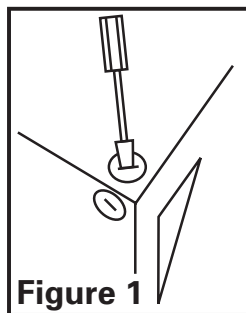


Figure 1

SECTION 2

Mounting the Housing

- 1a. **Installation on 2x4 Joists on 16" Centers:** Install the mounting brackets through the second set of slots on the fan housing and secure in place with the four included #10-32 nuts as shown. Center the fan housing between the joists and secure the mounting brackets with screws or nails (not included) to the joist. Adjust the height of the housing so that it is flush with the finished ceiling by loosening the mounting bracket nuts and sliding the housing up or down on the bracket. Full tighten all four nuts to secure the housing in place (**Figure 2**).

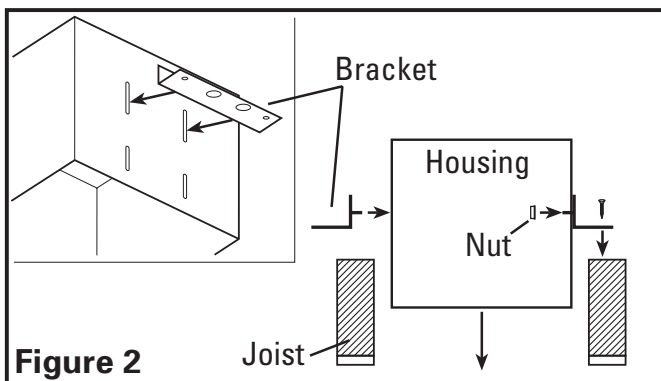


Figure 2

- 1b. **Installation on 2x6 Joists on 16" Centers:** Install the mounting brackets through the second set of slots on the fan housing and secure in place with the four included #10-32 nuts as shown. Center the fan housing between the joists and secure the mounting brackets with screws or nails (not included) to the joist. Adjust the height of the housing so that it is flush with the finished ceiling by loosening the mounting bracket nuts and sliding the housing up or down on the bracket. Fully tighten all four nuts to secure the housing in place (**Figure 3**).

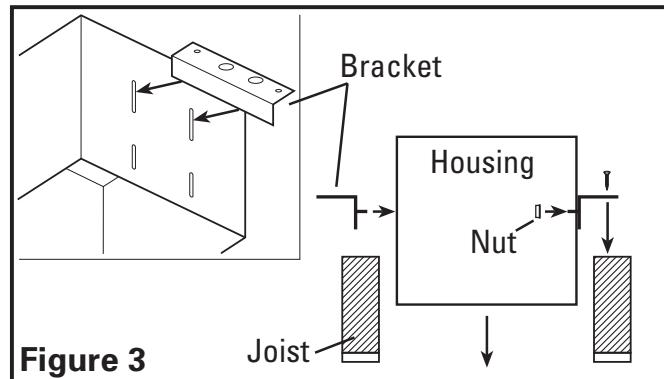


Figure 3

- 1c. **Installation on 24" Centers Joists or Larger than 2x6 Joists on 16" Centers:** Install two - 2x4 headers (not included) between the joists (**Figure 4**). Install the mounting brackets through the top set of slots on the fan housing and secure in place with the four included #10-32 nuts as shown. Position the fan housing between the headers and secure the mounting brackets with screws or nails (not included) to the header. Adjust the height of the housing so that it is flush with the finished ceiling by loosening the mounting bracket nuts and sliding the housing up or down on the bracket. Fully tighten all four nuts to secure the housing in place (**Figure 5**).

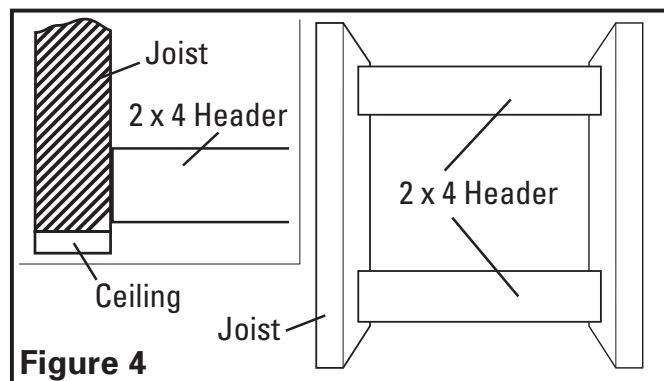


Figure 4

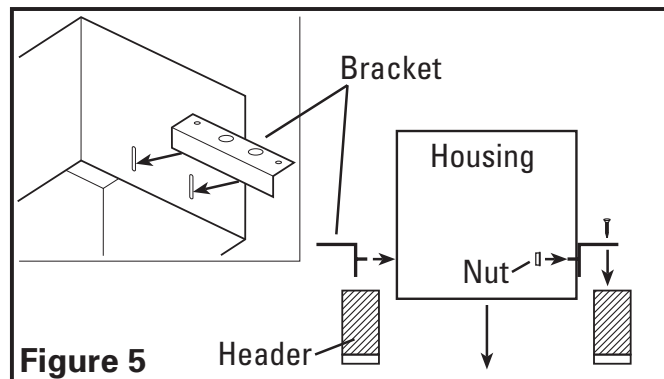


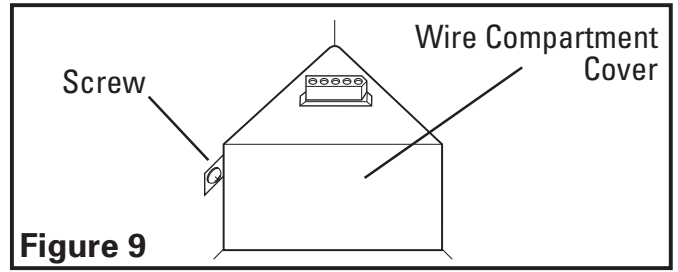
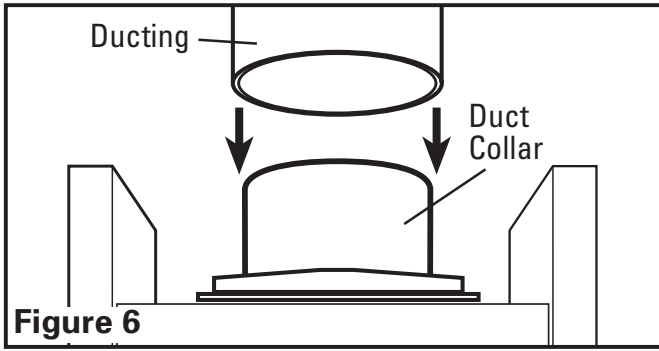
Figure 5

SECTION 3

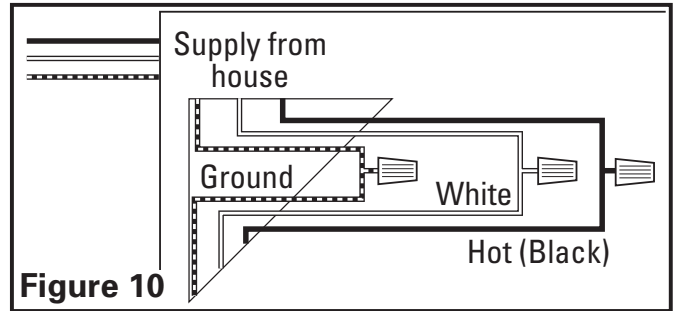
Ducting

CAUTION: ALL DUCTING MUST COMPLY WITH LOCAL AND NATIONAL BUILDING CODES.

1. Connect the ducting to the fan's duct collar (**Figure 6**). Secure in place using tape or screw clamp. Always duct the fan to the outside through a wall or roof cap.



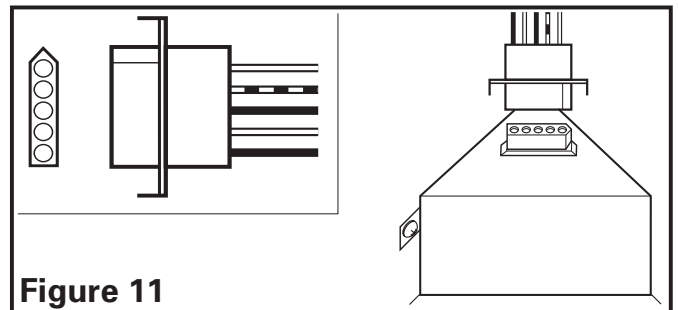
- Figure 6**
- Figure 9**
- Run wiring from an approved wall switch carrying the appropriate rating. One neutral (white), one ground (green or bare copper), and one hot (black lead connected to the switch). Secure the electrical wires to the housing with an approved electrical connector. Make sure you leave enough wiring in the box to make the connection to the fan's receptacle.
 - From where you have chosen to access the fan's junction box, connect the white wire from the house to the white wire from the fan's receptacle. Connect the black wire from the wall switch to the black wire from the fan's receptacle. Connect the ground wire from the house to the green wire from the fan housing (**Figure 10**). Use approved methods for all connections.



- Figure 10**
- NOTE:** The fan's receptacle wires might need to be pulled outside compartment for connection. Only pull the three loose wires outside of compartment. Additional wires will be present.
- Carefully tuck wire back inside wire compartment and replace wire compartment cover securing with the screw that was removed earlier.

SECTION 5 Completing the Installation

- If the fan's blower assembly was removed during the wiring process, reinstall the blower by reversing the directions in **Section 4 (Wiring), Step 1b**.
- Plug the fan's quick connect motor cord into the receptacle. This cord will only fit one way into the receptacle (**Figure 11**).



- Install the ceiling mounting flange to cover any gaps which exist between the housing and the finished ceiling. Line up the slots in the ceiling mounting flange with the screws on the inside of the

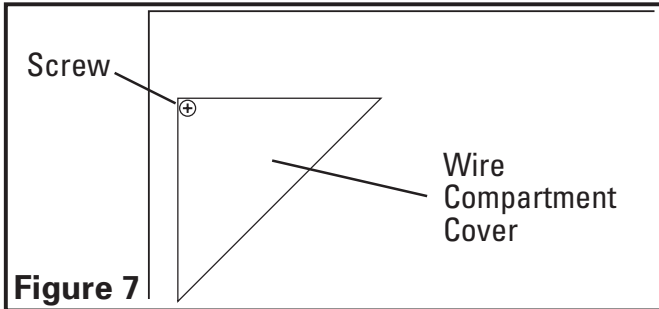
SECTION 4 Wiring

CAUTION: MAKE SURE POWER IS SWITCHED OFF AT SERVICE PANEL BEFORE STARTING INSTALLATION.

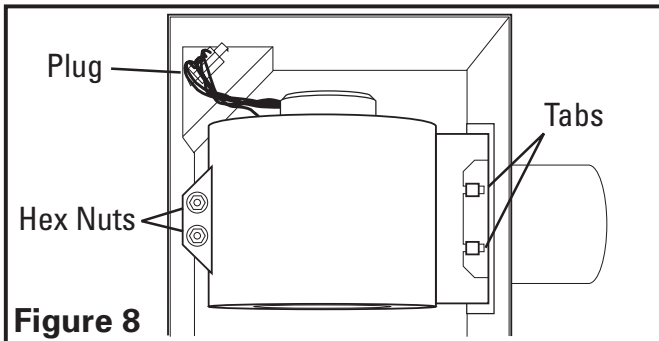
CAUTION: ALL ELECTRICAL CONNECTIONS MUST BE MADE IN ACCORDANCE WITH LOCAL CODES, ORDINANCES, OR NATIONAL ELECTRICAL CODE. IF YOU ARE UNFAMILIAR WITH METHODS OF INSTALLING ELECTRICAL WIRING, SECURE THE SERVICES OF A QUALIFIED ELECTRICIAN.

NOTE: This unit includes a side access panel for wiring that does not require the removal of the fan's blower assembly. If you choose to wire the unit from the inside, you will need to remove the blower assembly and internal wiring compartment. Both methods are equally effective.

- External Wire Compartment:** Remove the wire compartment cover screw and place cover in a secure place (**Figure 7**).



- Internal Wire Compartment:** Using a 7/16" socket, remove the two hex nuts holding the blower assembly in place. Lift up on the assembly and slide it out of the tabs on the housing (**Figure 8**). Remove the wire compartment cover screw and place the cover in a secure place (**Figure 9**).



NOTE: If the fan motor plug is connected to the fan housing receptacle, unplug so the blower assembly can be completely removed.

housing and press flange in place so it is tight against the ceiling. Tighten both screws inside the housing. Install drywall screws (not included) through the holes in the flange and into the ceiling. Install as many drywall screws needed to ensure the flange fits tightly against the ceiling (**Figure 12**).

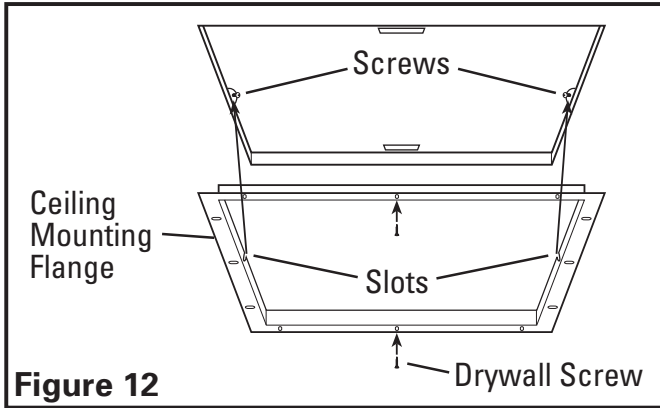


Figure 12

4. Install the grill by squeezing the two ends of the springs together and installing them up into the slots on the fan's housing. Push the grill up into position (**Figure 13**).

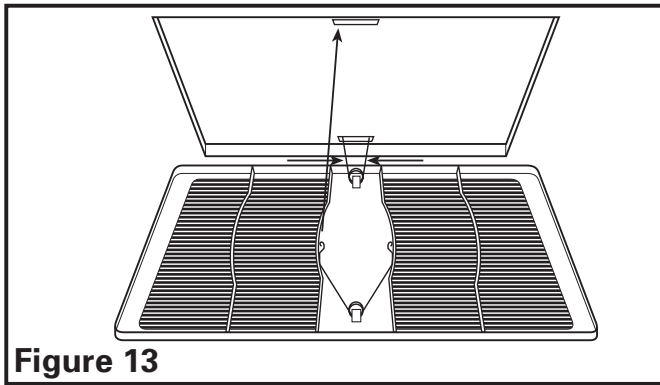


Figure 13

5. Restore power and test your installation.

SECTION 6

Use and Care

CAUTION: MAKE SURE POWER IS SWITCHED OFF AT SERVICE PANEL BEFORE SERVICING THE UNIT.

1. **Cleaning the Grill:** Remove grill and use a mild detergent, such as dishwashing liquid, and dry with a soft cloth. NEVER USE ANY ABRASIVE PADS OR SCOURING POWDERS. Completely dry grill before reinstalling. Refer to instructions in **Section 5 Finishing the Installation**, to reinstall grill.
2. **Cleaning the Fan Assembly:** Wipe all parts with a dry cloth or gently vacuum the fan. NEVER IMMERSE ELECTRICAL PARTS IN WATER.

Troubleshooting Guide

Trouble	Probable Cause	Suggested Remedy
1. Fan does not operate when the switch is on.	1a. A fuse may be blown or a circuit tripped. 1b. Connector plug from motor is not plugged in. 1c. Wiring is not connected properly. 1d. Motor has stopped operating.	1a. Replace fuse or reset circuit breaker. 1b. Turn off power to unit. Remove Grill and plug motor into receptacle in housing. Restore power to unit. 1c. Turn off power to unit. Check that all wires are connected. 1d. Replace motor.
2. Fan is operating, but air moves slower than normal.	2. Obstruction in the exhaust ducting.	2. Check for any obstructions in the ducting. The most common are bird nests in the roof cap or wall cap where the fan exhausts to the outside.
3. Fan is operating louder than normal.	3a. Motor is loose. 3b. Fan blade is hitting housing of unit.	3a. Turn off power to unit. Remove grill and check that all screws are fully tightened. Restore power to unit. 3b. Call your dealer for service.

LIMITED WARRANTY

All products manufactured by Air King Limited are warranted for one year from the date of purchase against defects in workmanship and/or material. In addition, all ventilating/exhaust fans, heaters, combination fan lights and/or heaters, and range hoods are guaranteed for five years from the date of purchase against defects in workmanship and/or material.

This warranty does not cover any labor or shipping costs or the cost of replacement components as part of routine maintenance such as: range hood grease filters, charcoal filters or combination charcoal/grease filters; replacement light bulbs in range hoods or bathroom fan/light/bulb heater combinations. As well, any damage or failure caused by abuse, misuse, abnormal usage, faulty installation, or improper maintenance will not be covered by this warranty.

In order to make a claim on this warranty, you must be the original consumer of the product. You will be required to present to Air King the original bill of sale showing: date of purchase, place of purchase and model purchased. Failure to meet these requirements will void your warranty.

Air King will not be held responsible for any bodily injury or damages to personal property or real estate whether caused directly or indirectly by the product. Some states and provinces do not allow the exclusion or limitation of incidental or consequential damages and some states do not allow limitations on how long an implied warranty lasts, so these exclusions or limitations may not apply to you. This warranty gives you specific legal rights and you may have other rights which vary from state to state and province to province.

FOR PARTS OR TECHNICAL ASSISTANCE

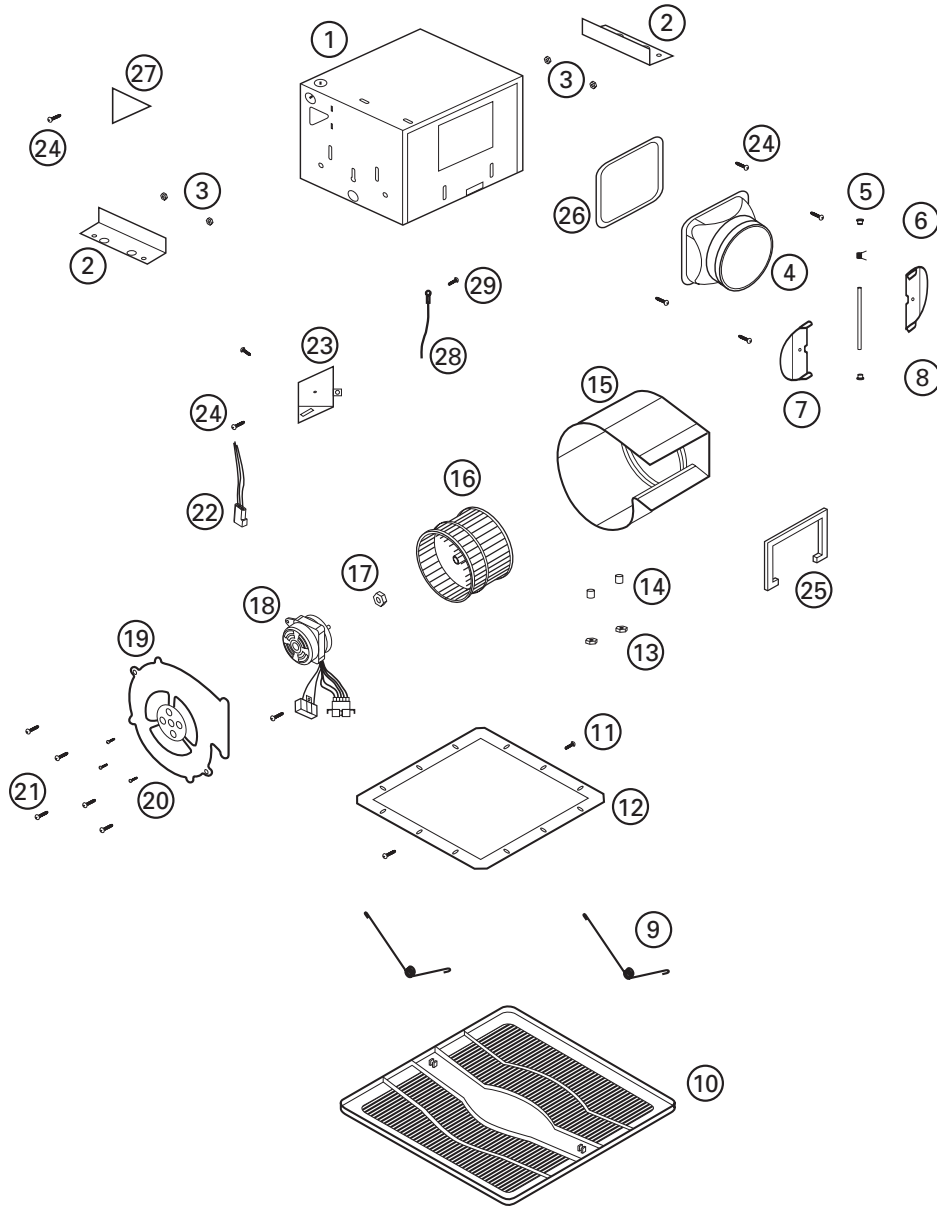
Please call: 1-800-465-7300, **MONDAY THROUGH FRIDAY, BETWEEN THE HOURS OF 8 AM AND 4:00 PM EST.**
PLEASE DO NOT RETURN PRODUCT TO PLACE OF PURCHASE.

Reference the type and style of product (located on label inside of the product) when you call.
For more information please visit our website: www.airkinglimited.com

Installer: _____ Installation Date: _____

Place of Purchase: _____ Model Number: _____

REPLACEMENT PARTS DIAGRAM



#	Qty.	Description	Replacement Part #
1	1	Fan Housing	5S1202044
2	2	Mounting Bar	5S1202045
3	4	Nuts	5S1202041
4	1	Metal Collar	5S5202007
5	2	Bushing	5S5202003
6	1	Spring	5S5202008
7	2	Damper	5S5202009
8	1	Rod	5S5202010
9	2	Grill Springs	5S1202046
10	1	Grill	5S1202048
11	2	Flange Screw	5S1202049
12	1	Ceiling Flange	5S1202050
13	2	Nuts	5S1202031
14	2	Blower Grommet	5S1202032
15	1	Blower Housing	5S2202022
16	1	Blower Wheel	5S2202023
17	1	Nut	5S2202014

#	Qty.	Description	Replacement Part #
18	1	Motor - AK150LS, AK200LS	5S2202024
	1	Motor - AK300LS	5S2202025
19	1	Motor Plate	5S2202020
20	3	Screw	5S2202027
21	5	Screw	5S2202017
22	1	Motor Cap Harness - AK150LS	5S2202012
	1	Motor Cap Harness - AK200LS	5S2202010
	1	Motor Cap Harness - AK300LS	5S1202051
23	1	Internal Wire Cover - AK150LS, AK200LS	5S1202004
	1	Internal Wire Cover - AK300LS	5S1202052
24	6	Screw	5S1999010
25	1	Outlet Gasket	5S1202053
26	1	Collar Gasket	5S1202054
27	1	External Wire Cover	5S1202007
28	1	14 ga Ground Wire	5S1999003
29	1	#10 Ground Screw	5S1999002

INSTRUCTIONS IMPORTANTES – MANUEL D'OPÉRATION

Modèles: AK150LS,
AK200LS, AK300LS



Ventilateur d'Évacuation

LIRE ET CONSERVER CES INSTRUCTIONS

LIRE SOIGNEUSEMENT AVANT DE TENTER D'ASSEMBLER, INSTALLER, OPÉRER OU DE RÉPARER LE PRODUIT DÉCRIT. PROTÉGEZ VOUS-MÊME ET LES AUTRES EN OBSERVANT TOUTE L'INFORMATION DE SÉCURITÉ. FAILLIR À SE CONFORMER AUX INSTRUCTIONS PEUT RÉSULTER EN BLESSURE PERSONNELLE GRAVE ET/OU EN DOMMAGE À LA PROPRIÉTÉ.

CONSERVER CES INSTRUCTIONS POUR RÉFÉRENCES FUTURES.

INSTRUCTIONS GÉNÉRALES DE SÉCURITÉ

Lors de l'utilisation d'appareils électriques, des précautions de base doivent toujours être suivies pour réduire les risques d'incendie, de choc électrique et de blessures corporelles, incluant ce qui suit:

1. Bien lire toutes les instructions avant d'installer ou d'utiliser le ventilateur d'évacuation.
2. Utiliser cette unité seulement de la manière pour laquelle le fabricant l'a conçu. Si vous aviez des questions, veuillez contacter le fabricant.
3. Avant d'effectuer un service ou de nettoyer l'unité, couper l'alimentation électrique dans le panneau de distribution et verrouiller le dispositif de déconnexion afin d'éviter que l'alimentation ne revienne accidentellement. Lorsque le dispositif ne peut être verrouillé, fixer solidement un avis d'avertissement, tel qu'une étiquette, au panneau de distribution.
4. Le travail d'installation et le câblage électrique doivent être effectués par une(des) personne(s) qualifiée(s) en conformité avec tous les codes et normes applicables, incluant la construction relative aux incendies.
5. De l'air en quantité suffisante est requis pour la bonne combustion et l'évacuation de gaz par le conduit (cheminée) provenant d'équipement de brûlage au combustible pour prévenir un refoulement. Suivre les directives du fabricant de l'équipement de chauffage et les normes de sécurité telles que celles publiées par la National Fire Protection Association (NFPA) et de la American Society for Heating, Refrigeration, and Air Conditioning Engineers (ASHRAE), et de celles des autorités locales du code.

AVERTISSEMENT: POUR USAGE DE VENTILATION GÉNÉRALE EXCLUSIVEMENT. NE PAS UTILISER POUR ÉVACUER DU MATÉRIEL ET DES VAPEURS DANGEREUSES OU EXPLOSIVES.

6. Lors de coupe ou de perçage des murs et plafonds, ne pas endommager le filage électrique et autres utilités cachées.
7. Les ventilateurs avec conduits doivent toujours être évacués vers l'extérieur.
8. Cette unité doit être mise à la terre.
9. Pour éviter des dommages aux roulements des moteurs et/ou des hélices bruyantes ou déséquilibrées, empêcher la poussière de cloison sèche, poussière de construction, etc., d'atteindre l'unité de puissance.

AVERTISSEMENT: POUR RÉDUIRE LES RISQUES D'INCENDIE OU DE CHOC ÉLECTRIQUE, NE PAS UTILISER CE VENTILATEUR AVEC UN RÉGULATEUR DE VITESSE ÉLECTRONIQUE.

10. Acceptable pour utilisation au-dessus d'une baignoire ou d'une douche lorsque installé dans un circuit protégé par un disjoncteur de fuite de terre.
11. **NE JAMAIS** placer un interrupteur à un endroit qui puisse être atteint de la baignoire ou de la douche.

AVERTISSEMENT: NE PAS UTILISER DANS LES CUISINES

CONSERVER CES INSTRUCTIONS

INSTRUCTIONS D'INSTALLATION

AVERTISSEMENT: VOUS ASSURER QUE L'ALIMENTATION EST COUPÉE AU PANNEAU DE SERVICE AVANT DE COMMENCER L'INSTALLATION.

SECTION 1

Préparation du Ventilateur d'évacuation

1. Sortir le ventilateur de sa boîte et confirmer que toutes les pièces sont présentes. En plus du ventilateur d'évacuation vous devriez avoir:
 - 1 - Grille
 - 1 - Ensemble de clapet (attaché)
 - 2 - Supports de montage
 - 1 - Bride de montage
 - 4 - Écrous 10-32
 - 1 - Feuillet d'instructions / sécurité
2. Choisir un emplacement pour votre ventilateur. Pour assurer la meilleure performance du débit d'air et sonore, il est recommandé que la longueur des conduits et que le nombre de coudes soient gardés au minimum et que des conduits rigides isolés soient utilisés. Ce ventilateur nécessitera au moins 20,3cm (8po) de dégagement dans le plafond ou le mur, et s'installe au travers de cloison sèche d'une épaisseur de jusqu'à 1,9cm (3/4po).
3. Sélectionner l'alvéole défonçable la mieux appropriée et l'enlever à l'aide d'un tournevis à lame plate (**Figure 1**).

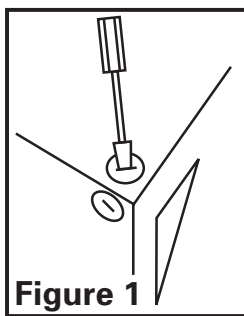


Figure 1

SECTION 2

Montage du Châssis

- 1a. **Installation sur des solives en 5,08 cm x 10,16 cm (2x4 po) au centre de 40,6 cm (16 po):** Installer les supports de montage dans le second jeu de fentes sur le châssis du ventilateur et fixer en place avec les quatre écrous #10-32 inclus tel qu'indiqué. Centrer le châssis du ventilateur entre les solives et fixer les supports de montage avec des vis ou des clous (non-compris) à la solive. Ajuster la hauteur du châssis pour qu'il soit à effleurement avec le plafond fini en desserrant les écrous de support de montage et en glissant le châssis vers le haut ou vers le bas sur le support de montage. Serrer à fond tous les quatre écrous pour fixer le châssis en place. (**Figure 2**).

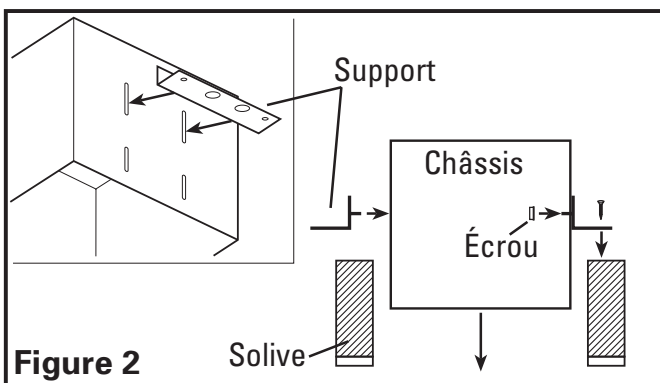


Figure 2

- 1b. **Installation sur des solives en 5,08 cm x 15,24 cm (2x6 po) au centre de 40,6 cm (16 po):** Installer les supports de montage dans le second jeu de fentes sur le châssis du ventilateur et fixer en place avec les quatre écrous #10-32 inclus tel qu'indiqué. Centrer le châssis du ventilateur entre les solives et fixer les supports de montage avec des vis ou des clous (non-compris) à la solive. Ajuster la hauteur du châssis pour qu'il soit à effleurement avec le plafond fini en desserrant les écrous de support de montage et en glissant le châssis vers le haut ou vers le bas sur le support de montage. Serrer à fond tous les quatre écrous pour fixer le châssis en place. (**Figure 3**).

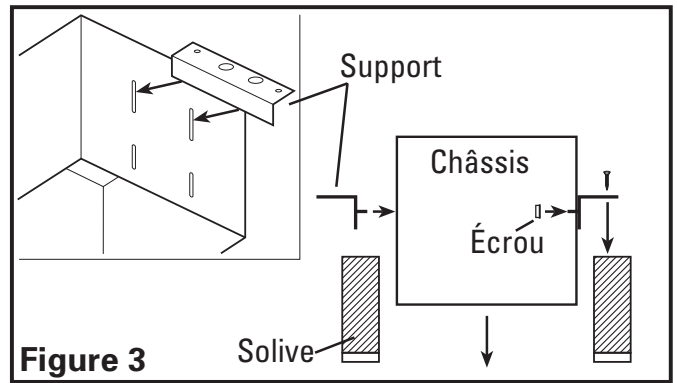


Figure 3

- 1c. **Installation sur des solives de 61 cm (24 po) au centre ou plus larges que des solives de 40,6 cm (16 po):** Installer deux chevêtres de 5,08 cm x 10,16 cm (2x4 po) (non-compris) entre les solives (**Figure 4**). Installer les supports de montage dans le second jeu de fentes sur le châssis du ventilateur et fixer en place avec les quatre écrous #10-32 inclus tel qu'indiqué. Centrer le châssis du ventilateur entre les solives et fixer les supports de montage avec des vis ou des clous (non-compris) au chevêtre. Ajuster la hauteur du châssis pour qu'il soit à effleurement avec le plafond fini en desserrant les écrous de support de montage et en glissant le châssis vers le haut ou vers le bas sur le support de montage. Serrer à fond tous les quatre écrous pour fixer le châssis en place. (**Figure 5**).

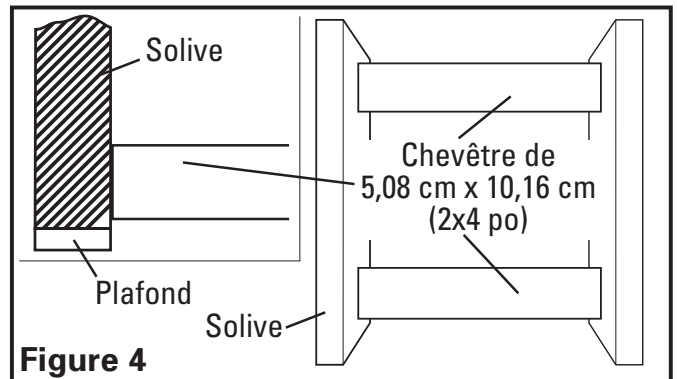


Figure 4

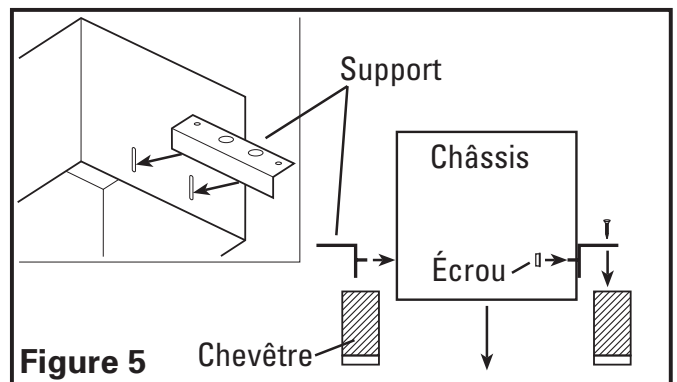


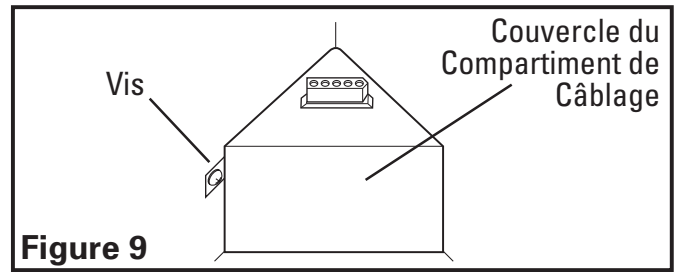
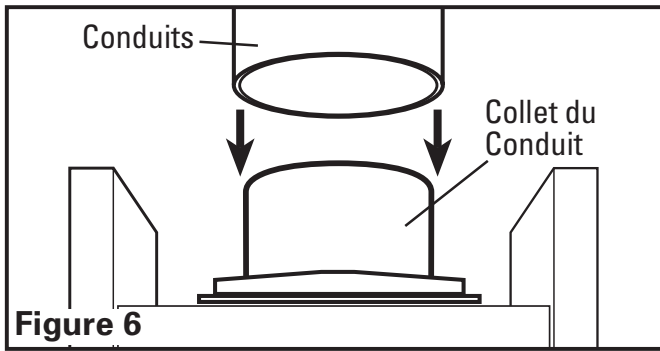
Figure 5

SECTION 3

Conduits

AVERTISSEMENT: TOUS LES CONDUITS DOIVENT ÊTRE CONFORMES AUX CODES DU BÂTIMENT LOCAUX ET NATIONAUX.

1. Raccorder le conduit au collet de conduit du ventilateur (**Figure 6**). Fixer en place à l'aide de ruban ou de serre-joint. Toujours évacuer le ventilateur vers l'extérieur au travers de chapeau mural ou de toit.



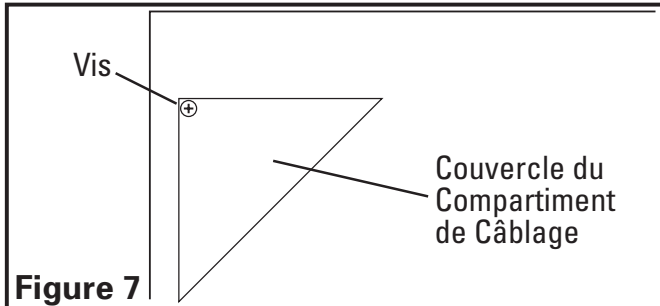
SECTION 4 Câblage

AVERTISSEMENT: VOUS ASSURER QUE L'ALIMENTATION EST COUPÉE AU PANNEAU DE SERVICE AVANT DE COMMENCER L'INSTALLATION.

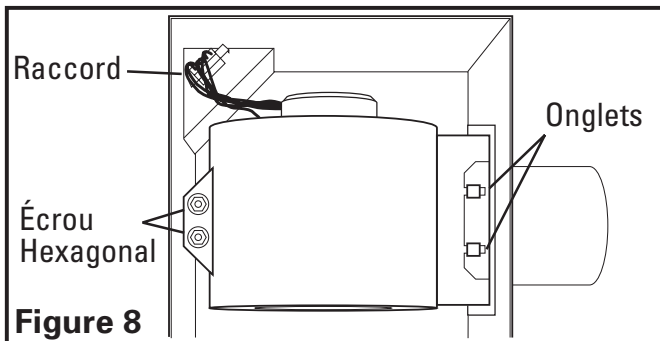
AVERTISSEMENT: TOUTES LES CONNEXIONS DOIVENT ÊTRE FAITES EN CONFORMITÉ AVEC LES CODES ÉLECTRIQUES LOCAUX OU NATIONAUX. SI VOUS N'ÊTES PAS FAMILIER AVEC LES MÉTHODES D'INSTALLATION DE CÂBLAGE ÉLECTRIQUE, RECOUREZ AUX SERVICES D'UN ÉLECTRICIEN QUALIFIÉ.

REMARQUE: Cette unité possède un panneau d'accès latéral pour le câblage qui ne requiert pas l'enlèvement de l'assemblage de la soufflante du ventilateur. Si vous choisissez de raccorder l'unité par l'intérieur, vous aurez besoin d'enlever l'assemblage de la soufflante et le compartiment de câblage intérieur. Les deux méthodes sont également efficaces.

1a. **Compartiment de Câblage Extérieur :** Enlever la vis du couvercle du compartiment à câblage et mettre ce couvercle dans un endroit fiable (Figure 7).

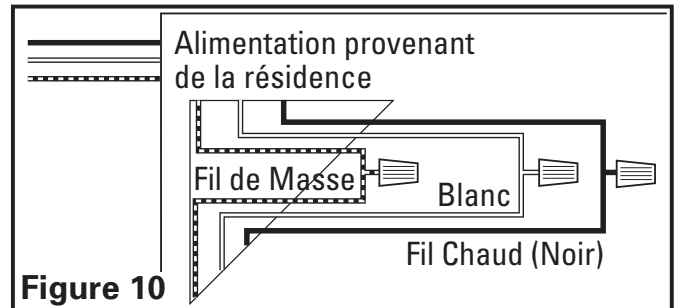


1b. **Compartiment de Câblage Intérieur:** Enlever les trois vis retenant en place l'assemblage de la soufflante et soulever pour sortir l'assemblage hors du châssis (Figure 8). Enlever la vis du couvercle du compartiment à câblage et mettre ce couvercle dans un endroit fiable (Figure 9).



REMARQUE: Si le raccord du moteur de ventilateur est raccordé au réceptacle du châssis, le débrancher afin que l'assemblage de la soufflante soit complètement enlevé.

- Courir le câblage d'un commutateur mural approuvé et de capacité appropriée. Un neutre (blanc), un de mise à la terre (vert ou cuivre nu), et un vivant (fil noir raccordé à l'interrupteur mural). Fixer les câbles électriques au châssis avec un connecteur électrique approuvé. Vous assurer de laisser suffisamment de câble dans la boîte pour faire le raccordement au réceptacle du ventilateur.
- Par là où vous avez choisi d'accéder à la boîte de jonction du ventilateur, connecter le fil blanc provenant de la résidence au fil blanc du réceptacle du ventilateur. Connecter le fil noir de l'interrupteur mural au fil noir du réceptacle du ventilateur. Connecter le fil de mise à la terre provenant de la résidence au fil vert du réceptacle du ventilateur (Figure 10). Utiliser des méthodes approuvées pour toutes les connexions.

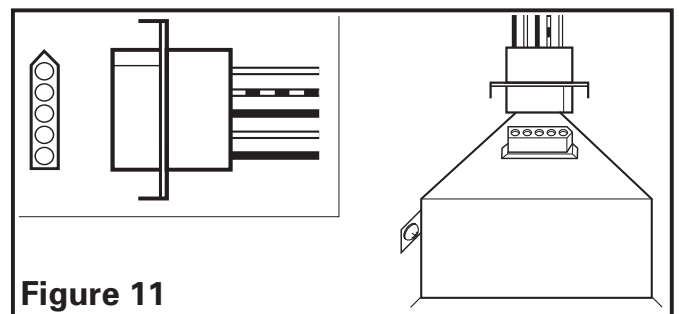


REMARQUE: Les fils du réceptacle du ventilateur pourraient nécessiter d'être tirés à l'extérieur du compartiment pour le raccordement. Tirer uniquement les trois fils lâches à l'extérieur du compartiment. Des fils additionnels y sont présents.

- Regrouper soigneusement les fils à l'intérieur du compartiment pour le raccordement et replacer le couvercle du compartiment en le fixant avec la vis qui fut enlevée précédemment.

SECTION 5 Complétion de l'installation

- Si l'assemblage de la soufflante du ventilateur a été enlevé durant le processus de raccordement, réinstaller la soufflante en inversant les instructions à l'étape 1b de la Section 4 Câblage.
- Brancher le cordon à raccordement rapide dans le réceptacle. Ce cordon ne s'ajuste que d'une seule façon dans le réceptacle (Figure 11).



- Installer la bride de montage du plafond pour couvrir tout espace qui existe entre le châssis et le plafond fini. Aligner les fentes dans la bride de montage du plafond avec les vis à l'intérieur du châssis

et presser la bride en place de sorte qu'elle soit bien serrée contre le plafond. Serrer les deux vis à l'intérieur du châssis. Installer des vis pour cloison sèche (non-comprises) au travers des trous dans la bride et dans le plafond. Installer autant de vis pour cloison sèche que requis pour assurer que la bride s'ajuste solidement contre le plafond. (Figure 12).

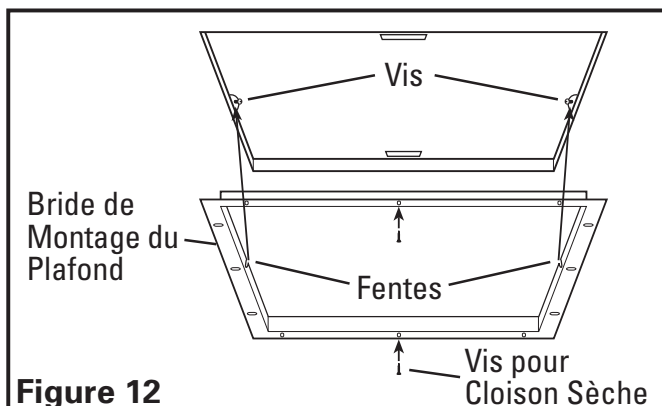


Figure 12

4. Installer la grille en pressant ensemble les deux extrémités des ressorts et en les installant dans les fentes du châssis du ventilateur. Pousser la grille en position (Figure 13).

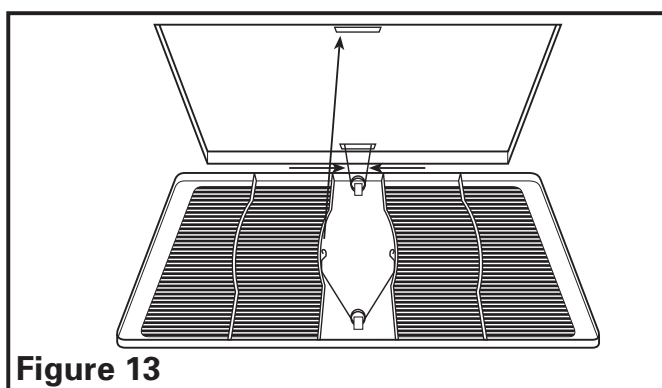


Figure 13

5. Restaurer l'alimentation et tester votre installation.

SECTION 6

Utilisation et entretien

AVERTISSEMENT: VOUS ASSURER QUE L'ALIMENTATION EST COUPÉE AU PANNEAU DE SERVICE AVANT DE COMMENCER L'INSTALLATION.

1. **Nettoyage de la grille:** Retirer la grille et utiliser un détergent doux, tel que du liquide pour la vaisselle, puis sécher à l'aide d'un chiffon doux. NE JAMAIS UTILISER D'ABRASIF OU DE POUDRE À RÉCURER. Sécher complètement la grille avant de la réinstaller. Pour réinstaller la grille, vous référer à la **Section 6** - Complétion de l'installation.
2. **Nettoyage de l'assemblage du ventilateur:** Nettoyer toutes les parties à l'aide d'un chiffon sec ou passer délicatement l'aspirateur sur le ventilateur. NE JAMAIS IMMERGER LES PARTIES ÉLECTRIQUES DANS L'EAU.

Guide de dépannage

Trouble	Cause Possible	Solution Suggérée
1. Le ventilateur ne fonctionne pas lorsque l'interrupteur est à la position en marche.	1a. Un fusible peut être grillé ou un disjoncteur peut être déclenché. 1b. La fiche de raccord du moteur n'est pas connectée. 1c. Le câblage n'est pas raccordé correctement. 1d. Le moteur est terminée	1a. Remplacer le fusible ou réinitialiser le disjoncteur. 1b. Couper l'alimentation à l'unité. Retirer la grille et brancher le moteur dans le réceptacle dans le cabinet. Remettre l'alimentation sur l'unité. 1c. Couper l'alimentation de l'unité. Vérifier que tous les fils sont raccordés. 1d. Remplacez la moteur
2. Le ventilateur fonctionne, mais l'air circule plus lentement que la normale.	2. Obstruction dans les conduits d'évacuation.	2. Vérifier pour toute obstruction dans les conduits. Les plus courantes sont des nids d'oiseau dans le chapeau de toit ou mural là où le ventilateur s'évacue vers l'extérieur.
3. Le ventilateur fonctionne de manière plus bruyante que la normale.	3a. Le moteur est lâche. 3b. L'hélice du ventilateur frotte contre le cabinet de l'unité.	3a. Couper l'alimentation à l'unité. Retirer la grille et vérifier que toutes les vis sont complètement serrées. Remettre l'alimentation sur l'unité. 3b. Appeler votre marchand pour un service.

GARANTIE LIMITÉE

Tous les produits fabriqués par Air King Limited sont garantis pour un an à partir de la date d'achat contre les défauts de main d'œuvre et/ou de matériel. De plus, tous les ventilateurs / évacuateurs, chaufferettes, combinés ventilateur/ lumière et/ou les chaufferettes et les hottes de cuisine sont garantis pour cinq années à partir de la date d'achat contre les défauts de main d'œuvre et/ou de matériel.

Cette garantie ne couvre pas de coûts de transport ou de main d'œuvre ou le coût de remplacement de composantes faisant partie d'entretien de routine tels que : Filtres à graisse des hottes de cuisine, filtres au charbon ou combiné filtre à graisse/ charbon ; ampoules électriques de remplacement dans les hottes de cuisine ou les combinés ventilateur/ lumière/ chaufferette pour salle de bain. Aussi, tout dommage ou défaillance causé par un abus, une mauvaise utilisation, une installation fautive ou un entretien incorrect ne sera pas couvert par cette garantie.

De manière à effectuer une réclamation sous cette garantie, vous devez être l'acheteur original du produit. Il vous sera exigé de présenter la facture d'achat originale à Air King, qui démontrera : La date d'achat, l'endroit de l'achat et le modèle acheté. Le manquement à rencontrer ces exigences annulera votre garantie.

Air King ne sera pas tenu responsable de quelque blessure corporelle ou dommage à la propriété ou à l'immeuble que ce soit causé directement ou indirectement par le produit. Certains États ne permettent pas de limitation sur la durée de la garantie implicite, ou l'exclusion ou la limitation de dommages indirects ou accessoires, ainsi, ces limitations et exclusions peuvent ne pas s'appliquer à vous. Cette garantie vous donne des droits légaux spécifiques et vous pouvez aussi avoir des droits qui varient d'un État à l'autre et d'une province à l'autre.

POUR DES PIÈCES OU DE L'ASSISTANCE TECHNIQUE

Veillez appeler au 1-800-465-7300, DU LUNDI AU VENDREDI ENTRE 8:00 HRE ET 16:00 HRE HNE.

VEUILLEZ NE PAS RETOURNER CE PRODUIT À L'ENDROIT DE L'ACHAT D'ORIGINE.

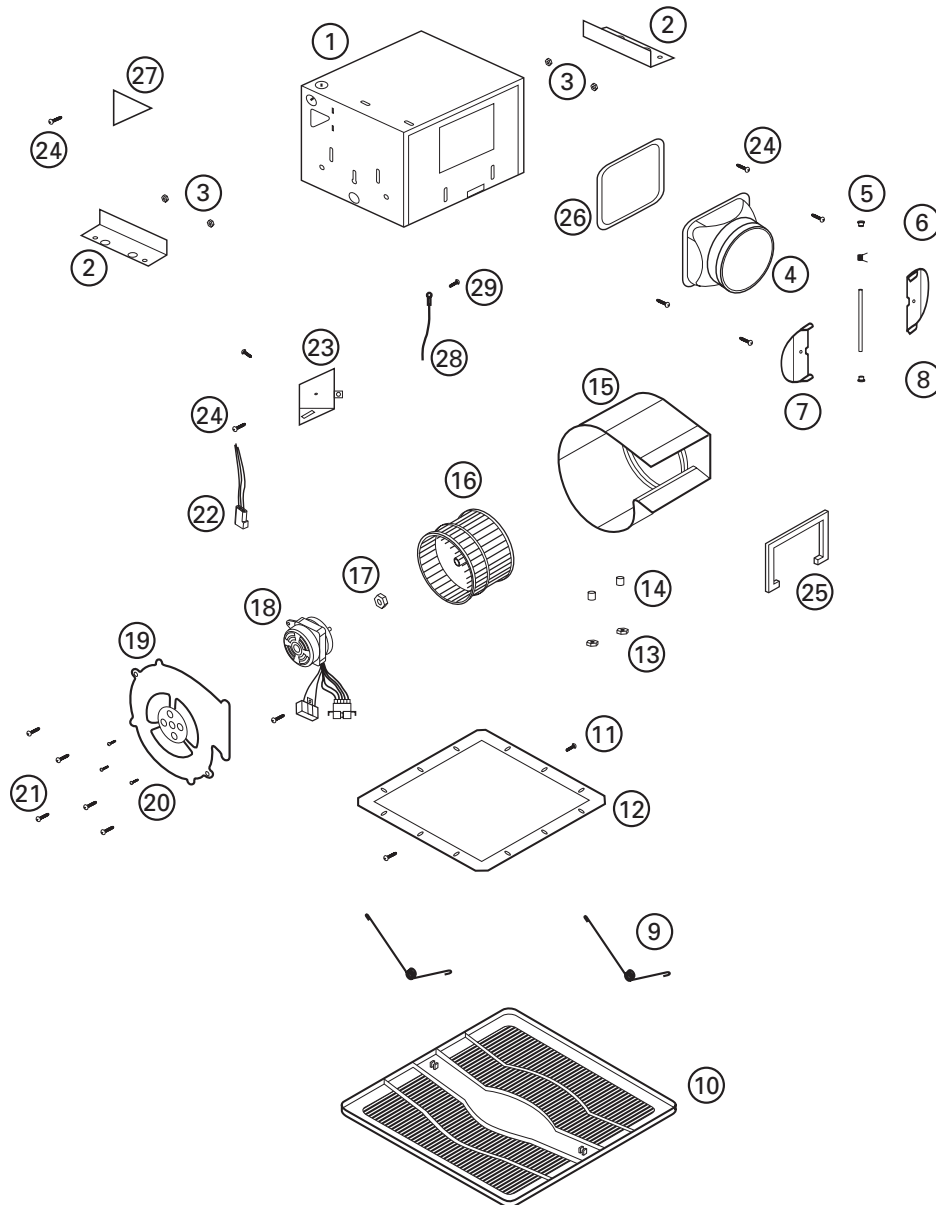
Référencer le type et le style du produit (localisé sur l'étiquette à l'intérieur du produit) lorsque vous appelez.

Pour plus d'information, veuillez visiter le site Web de Air King au www.airkinglimited.com

Installateur: _____ Date d'installation: _____

Endroit de l'achat: _____ Numéro de modèle: _____

DIAGRAMME DES PIÈCES DE REMPLACEMENT



#	Qté.	Description	# de pièce de remplacement
1	1	Cabinet du ventilateur	5S1202044
2	2	Barre de montage	5S1202045
3	4	Écrou	5S1202041
4	1	Collet de Métal	5S5202007
5	2	Bague	5S5202003
6	1	Ressort	5S5202008
7	2	Clapet	5S5202009
8	1	Barre	5S5202010
9	2	Ressorts de la grille	5S1202046
10	1	Grille	5S1202048
11	2	Vis de la bride	5S1202049
12	1	Bride du plafond	5S1202050
13	2	Écrou	5S1202031
14	2	Passe-fil de la Soufflante	5S1202032
15	1	Cabinet de la Soufflante	5S2202022
16	1	Roue de la Soufflante	5S2202023
17	1	Écrou	5S2202014

#	Qté.	Description	# de pièce de remplacement
18	1	Moteur - AK150LS, AK200LS	5S2202024
	1	Moteur - AK300LS	5S2202025
19	1	Plaque de Moteur	5S2202020
20	3	Vis	5S2202027
21	5	Vis	5S2202017
22	1	Harnais du Capuchon du Moteur - AK150LS	5S2202012
	1	Harnais du Capuchon du Moteur - AK200LS	5S2202010
	1	Harnais du Capuchon du Moteur - AK300LS	5S1202051
23	1	Couvercle de Câble Interne - AK150LS, AK200LS	5S1202004
	1	Couvercle de Câble Interne - AK300LS	5S1202052
24	6	Vis	5S1999010
25	1	Joint - Extérieur	5S1202053
26	1	Joint - Collet	5S1202054
27	1	Couvercle de Câble Externe	5S1202007
28	1	Fil de mise à la terre de calibre # 14	5S1999003
29	1	Vis #10 de mise à la terre	5S1999002