

IMPORTANT INSTRUCTIONS - OPERATING MANUAL

Professional Series



Range Hood

READ AND SAVE THESE INSTRUCTIONS

READ CAREFULLY BEFORE ATTEMPTING TO ASSEMBLE, INSTALL, OPERATE OR MAINTAIN THE PRODUCT DESCRIBED. PROTECT YOURSELF AND OTHERS BY OBSERVING ALL SAFETY INFORMATION. FAILURE TO COMPLY WITH INSTRUCTIONS COULD RESULT IN PERSONAL INJURY AND/OR PROPERTY DAMAGE!

RETAIN INSTRUCTIONS FOR FUTURE REFERENCE.

GENERAL SAFETY INFORMATION

When using electrical appliances, basic precautions should always be followed to reduce the risk of fire, electric shock and injury to person, including the following:

WARNING: TO REDUCE THE RISK OF FIRE, ELECTRIC SHOCK AND INJURY TO PERSON, OBSERVE THE FOLLOWING:

1. Read all instructions before installing or using range hood.
2. Use this unit only in the manner intended by the manufacturer. If you have questions, contact the manufacturer.
3. Before servicing or cleaning the unit, switch power off at service panel and lock the service disconnecting means to prevent power from being switched on accidentally. When the service disconnecting means cannot be locked, securely fasten a prominent warning device, such as a tag, to the service panel.
4. Installation work and electrical wiring must be done by qualified person(s) in accordance with all applicable codes and standards, including fire-related construction.
5. Sufficient air is needed for proper combustion and exhausting of gases through the flue (chimney) of fuel burning equipment to prevent back drafting. Follow the heating equipment manufacturer's guideline and safety standards such as those published by the National Fire Protection Association (NFPA) and the American Society for Heating, Refrigeration, and Air Conditioning Engineers (ASHRAE), and the local code authorities.

CAUTION: FOR GENERAL VENTILATING USE ONLY. DO NOT USE TO EXHAUST HAZARDOUS OR EXPLOSIVE MATERIALS AND VAPORS.

6. When cutting or drilling into wall or ceiling, do not damage electrical wiring and other hidden utilities.

CAUTION: TO REDUCE THE RISK OF FIRE AND TO PROPERLY EXHAUST AIR, BE SURE TO DUCT AIR OUTSIDE - DO NOT VENT EXHAUST AIR INTO SPACES WITHIN WALLS OR CEILINGS OR INTO ATTICS, CRAWL SPACES, OR GARAGES.

7. This unit must be grounded.
8. To avoid motor bearing damage and noisy and/or unbalanced impellers, keep drywall spray, construction dust, etc. off power unit.

WARNING: TO REDUCE THE RISK OF FIRE, ELECTRIC SHOCK, DO NOT USE THIS FAN WITH ANY SOLID-STATE SPEED CONTROL DEVICE.

WARNING: TO REDUCE THE RISK OF A RANGE TOP GREASE FIRE:

- a) Never leave surface units unattended at high settings. Boilovers cause smoking and greasy spillovers that may ignite. Heat oils slowly on low or medium settings.
- b) Always turn hood ON when cooking at high heat or when flambéing food (ie. Crepes Suzette, Cherries Jubilee, Peppercorn Beef Flambé).
- c) Clean ventilating fans frequently. Grease should not be allowed to accumulate on fan filter.
- d) Use proper pan size. Always use cookware appropriate for the size of the surface element.

WARNING: TO REDUCE THE RISK OF INJURY TO PERSONS IN THE EVENT OF A RANGE TOP GREASE FIRE, OBSERVE THE FOLLOWING:

- a) SMOTHER FLAMES with a close-fitting lid, cookie sheet, or metal tray, then turn off burner. BE CAREFUL TO PREVENT BURNS. If the flames do not go out immediately, EVACUATE AND CALL THE FIRE DEPARTMENT.
- b) NEVER PICK UP A FLAMING PAN - You may be burned.
- c) DO NOT USE WATER, including wet dishcloths or towels - a violent steam explosion will result.
- d) Use an extinguisher ONLY if:
 - I. You know you have a Class ABC extinguisher, and you already know how to operate it.
 - II. The fire is small and contained in the area where it started.
 - III. The fire department is being called.
 - IV. You can fight the fire with your back to an exit.

WARNING: TO REDUCE THE RISK OF FIRE, USE ONLY METAL DUCTWORK.

SAVE THESE INSTRUCTIONS

INSTALLATION INSTRUCTIONS

CAUTION: MAKE SURE POWER IS SWITCHED OFF AT SERVICE PANEL BEFORE STARTING INSTALLATION.

SECTION 1

Preparing the Range Hood

- Unpack hood from the carton and confirm that all pieces are present. In addition to the range hood you should have:
 - 1 - Package containing:
 - 3 - 2" wood screws
 - 8 - 3/4" wood screws (36" models: 12 / 42", 48" models: 16)
 - 4 - wall anchors (36" models: 6 / 42", 48" models: 8)
 - 30" models: 2 - PHGB3 large baffles, one spacer
 - 36" models: 2 - PHGB3 large baffles, one PHGB1 small baffle
 - 42" models: 2 - PHGB3 large baffles, one PHGB2 medium baffle
 - 48" models: 2 - PHGB3 large baffles, two spacer
 - 1 - Grease trough
 - 1 - Wood mounting strip
 - 1 - Instruction/Safety Sheet

NOTE: Some hoods may be shipped with a protective plastic adhered to the range hood. It is recommended to leave this in place during installation to protect the hood from scratching. Remove when the installation is complete.

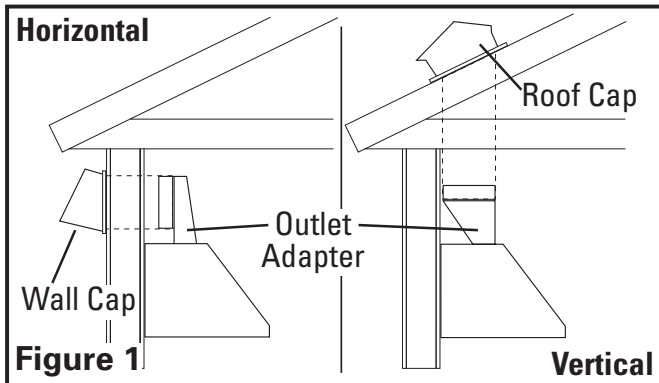
SECTION 2

Ductwork

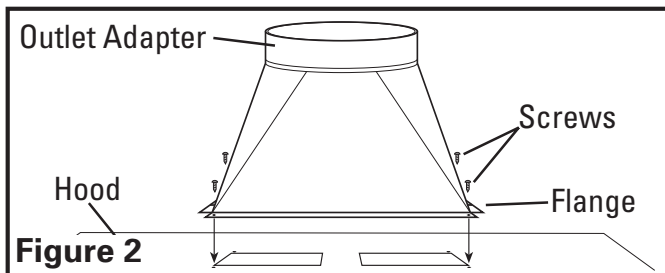
CAUTION: ALL DUCTING MUST COMPLY WITH LOCAL AND NATIONAL BUILDING CODES.

WARNING: TO REDUCE THE RISK OF FIRE, USE ONLY METAL DUCTWORK.

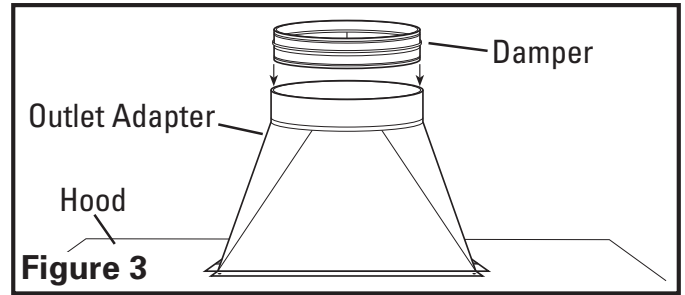
- Determine the type of ducting you will require (**Figure 1**).



- Install the proper sized outlet adapter (available separately) to the hood by matching up the four holes on the flange of the adapter to the four corresponding holes on the hood and secure in place with the provided screws. Ensure an airtight seal around the adapter by securing all connections with ducting tape (**Figure 2**).



- It is highly recommended that a back draft damper be installed to prevent outside air from flowing back into the home. Choose a back draft damper (available separately) sized to fit the diameter of the outlet adapter. Attach the back draft damper into the outlet adapter, press fit it into the round opening of the adapter until it is fully seated, making sure the damper opens away from the hood otherwise airflow will be restricted (**Figure 3**).



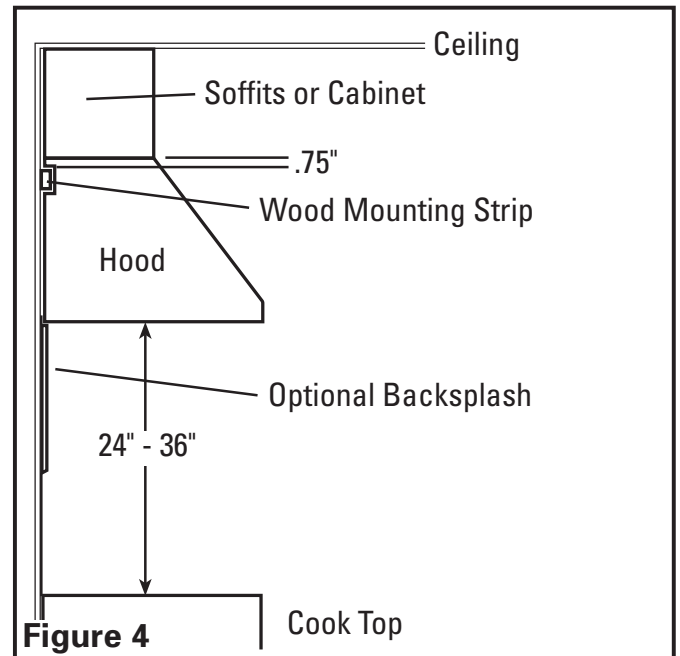
CAUTION: MAKE SURE POWER IS SWITCHED OFF AT SERVICE PANEL BEFORE STARTING INSTALLATION.

CAUTION: WHEN CUTTING OR DRILLING INTO WALL DO NOT DAMAGE ELECTRICAL WIRING AND OTHER HIDDEN UTILITIES.

SECTION 3

Measuring the Hood Installation

- The measurements for the installation will be custom to your specific location and will be dependent upon exact ceiling height, distance mounted from cooking surface, cabinet or soffit heights, along with other factors and will need to be adjusted accordingly. The hood must be mounted a minimum of 24" and a maximum of 36" from the cooking surface. (**Figure 4**).



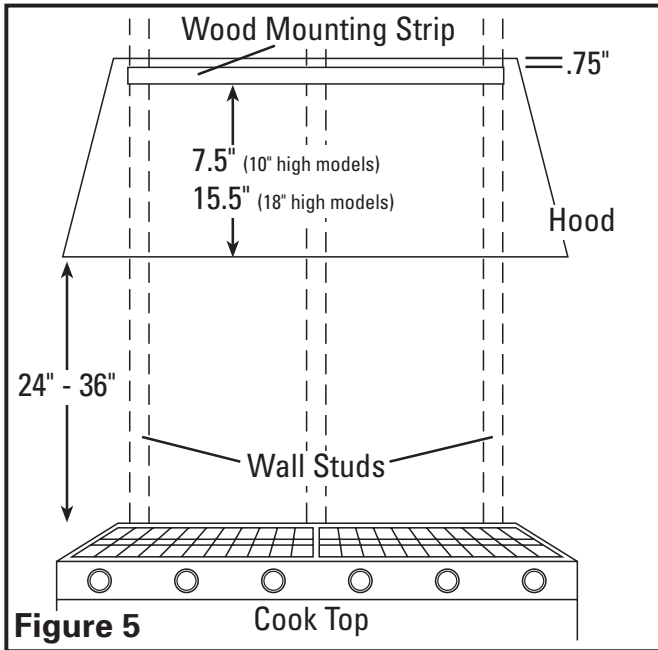
SECTION 4

Installing Backsplash

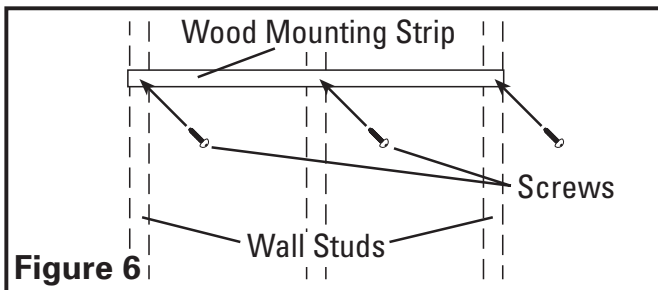
- If an optional BS Series backsplash will be utilized, this must be installed before the hood canopy because the hood canopy will cover the backsplash mounting screws. Refer to the instructions included with the backsplash for installation.

SECTION 5 Installing the Range Hood

1. Measure and mark a level line on the wall above the cook top for the included wood mounting strip. The height of the mounting strip will depend on your specific installation and should be .75" below the top of the hood canopy height (Figure 5).



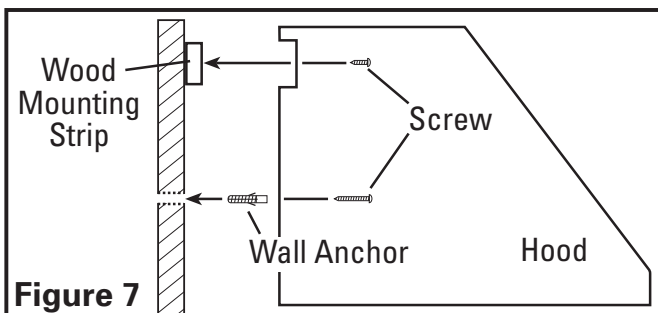
2. Secure the included wood strip in place using the provided 2" mounting screws making sure the screws are fastening into the wall studs (Figure 6).



CAUTION: DUE TO THE WEIGHT OF THE HOOD, ENSURE THE WOOD STRIP IS FASTENED TO ALL AVAILABLE WALL STUDS (A MINIMUM OF 2 STUDS FOR 30" HOODS, MORE AS THE WIDTH INCREASES) NOT INTO THE DRYWALL ALONE.

CAUTION: SUPPORT THE HOOD UNTIL IT IS FULLY INSTALLED ONTO THE WOOD MOUNTING STRIP.

3. Rest the cavity on the back side of the hood on the wood strip and mark drilling locations on the wall for wall anchors on the bottom rear of the hood. Remove hood and install wall anchors (Figure 7).

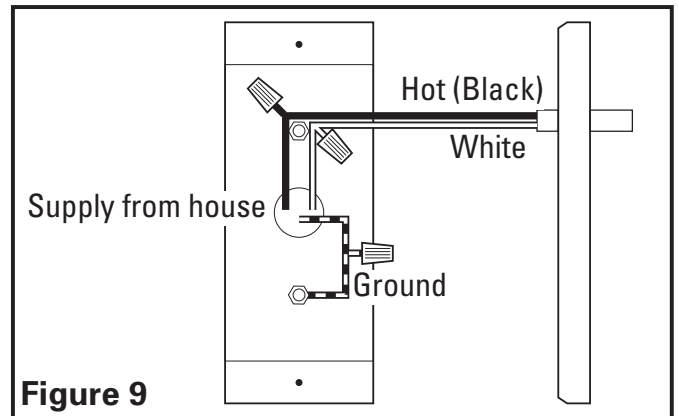
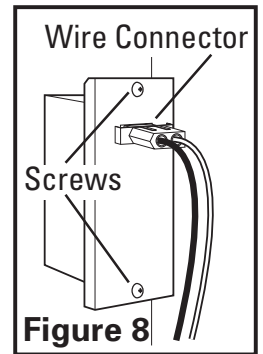


4. Rest the cavity on the back side of the hood on the wood strip and secure hood to wood strip with the included 3/4" screws through the holes in the back of the hood that line up with the wood strip (use 6 screws for 30" and 36" widths and 8 screws for larger widths) Secure the bottom of the hood by installing the screws provided into the wall anchors. (Figure 7).

SECTION 6 Wiring

CAUTION: ALL ELECTRICAL CONNECTIONS MUST BE MADE IN ACCORDANCE WITH LOCAL CODES, ORDINANCES, OR NATIONAL ELECTRICAL CODE. IF YOU ARE UNFAMILIAR WITH METHODS OF INSTALLING ELECTRICAL WIRING, SECURE THE SERVICES OF A QUALIFIED ELECTRICIAN.

1. Remove the two wire compartment cover screws to gain access into the wire compartment (Figure 8). Connect the white wire from the range hood to the white wire from the supply, and the black wire from the range hood to the black wire of the supply. Connect the ground wire from the home (green or bare) to the ground wire (green) from the hood. Use approved methods for all connections (Figure 9).
2. Replace the wire compartment cover and tighten screws. Make sure all wiring is securely contained within the wire compartment. If the quick connect wire connector was removed from the receptacle, replace. The connector will only fit one way into the receptacle (Figure 8).



SECTION 7 Installing the Optional Soffits

1. Refer to the instructions included with the specific soffit(s) you have chosen for installation.

SECTION 8 Installing the Blower

1. Refer to the instructions included with the specific blower you have chosen for installation.

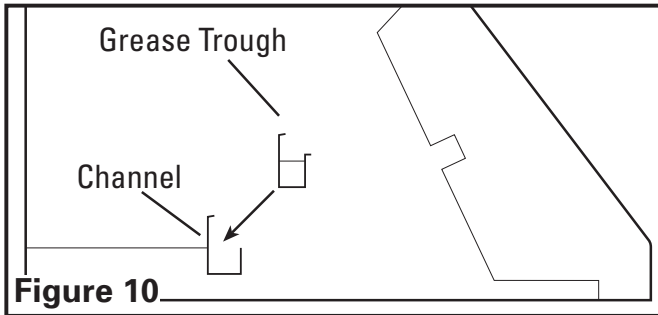
SECTION 9 Finishing the Installation

1. Install the proper lighting for your specific unit:

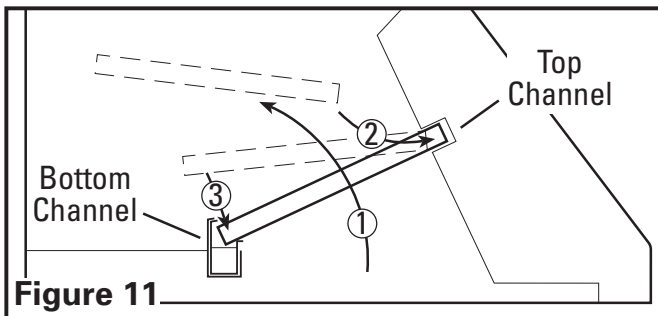
Halogen Lamps: Use PAR20, 50W maximum lamps (available separately). Install by inserting lamp into socket and turning clockwise until lamp is firmly seated. DO NOT over tighten.

Heat Lamps: Use PAR38, 175W infrared lamps only (available separately). Install by inserting lamp into socket and turning clockwise until lamp is firmly seated. DO NOT over tighten.

- If the included removable grease trough is not already installed within the hood, insert into the rear inside channel of the hood. Make sure the taller side of the trough is facing towards the back of the hood (**Figure 10**).



- Install the baffle filters along with any spacer bars that are required by inserting the top of the filter into the top channel of the hood, then slide the bottom of the filter into the bottom channel. In models with spacers, it is easiest to install the spacer(s) first and the grease filters last (**Figure 11**).

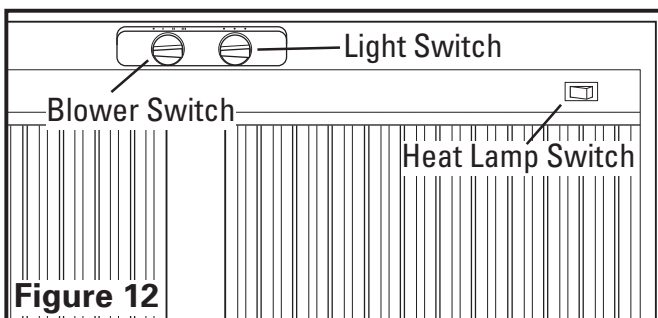


SECTION 10

Operation

Controls

Your Range Hood is equipped with two rotary switches with one controlling the lighting and the other controlling the exhaust fan blower. The light switch has three positions, HIGH (*), LOW (▲), and OFF (●). The fan switch has four positions, OFF (●), HIGH (I), MEDIUM (II), and LOW (III) (**Figure 12**).



NOTE: On installation where a One (1) speed blower is utilized, all blower control speeds operate at the same speed. On installation where a Two (2) speed blower is utilized, the Medium and High speeds operate at the same speed.

Heat Lamp Controls: For models equipped with heat lamps, two On/Off rocker switch are located on the front underside of the hood for independent control of the heat lamps (**Figure 12**).

SECTION 11

Maintenance

CAUTION: MAKE SURE POWER IS SWITCHED OFF AT SERVICE PANEL BEFORE SERVICING THE UNIT.

Grease Baffles - Included with your range hood are aluminum grease baffles along with a grease trough that should be washed at least once a month. The baffles and trough are dishwasher safe and should be washed in a mild soap or detergent. Reverse the instruction in **SECTION 9 Finishing the Installation**, to remove baffles and trough. If the grease baffles become damaged, replace with Air King Model PHGB1, PHGB2, or PHGB3 Grease Baffles.

CAUTION: ALLOW BULB TO COOL BEFORE REPLACING.

Changing the Lamps: Disconnect power to the unit and unscrew lamps from socket. Replace with lamps as specified in **SECTION 9 Finishing the Installation**.

Cleaning

CAUTION: DO NOT USE GASOLINE, BENZINE, THINNER, HARSH CLEANSERS, ETC., AS THEY MAY DAMAGE THE RANGE HOOD.

- Clean your range hood with a mild detergent, such as dishwashing liquid, and dry with a soft cloth. **NEVER USE ANY ABRASIVE PADS OR SCOURING POWDERS.** Completely dry before restoring power. **NEVER IMMERSE ELECTRICAL PARTS IN WATER.**
- The blower assembly can be vacuumed when build up (dirt, lint, etc.) accumulates over time. The blower is permanently lubricated and does not require oiling.

Troubleshooting Guide

Trouble	Probable Cause	Suggested Remedy
1. Hood does not operate when the switch is on.	1a. A fuse may be blown or a circuit tripped. 1b. Wiring is not connected properly.	1a. Replace fuse or reset circuit breaker. 1b. Turn off power to unit. Check that all wires are connected.
2. Hood is operating, but air moves slower than normal.	2. Obstruction in the exhaust ducting.	2. Check for any obstructions in the ducting including filter.
3. Hood is making a rattling noise.	3a. Filters are loose. 3b. Duct connection is loose.	3a. Turn off power to unit. Check that all filters are fully seated. 3b. Turn off power to unit. Check that duct connection is tight.

LIMITED WARRANTY

All products manufactured by Air King Limited are warranted for one year from the date of purchase against defects in workmanship and/or material. In addition, all ventilating/exhaust fans, heaters, combination fan lights and/or heaters, and range hoods are guaranteed for five years from the date of purchase against defects in workmanship and/or material.

This warranty does not cover any labor or shipping costs or the cost of replacement components as part of routine maintenance such as: range hood grease filters, charcoal filters or combination charcoal/grease filters; replacement light bulbs in range hoods or bathroom fan/light/bulb heater combinations. As well, any damage or failure caused by abuse, misuse, abnormal usage, faulty installation, or improper maintenance will not be covered by this warranty.

In order to make a claim on this warranty, you must be the original consumer of the product. You will be required to present to Air King the original bill of sale showing: date of purchase, place of purchase and model purchased. Failure to meet these requirements will void your warranty.

Air King will not be held responsible for any bodily injury or damages to personal property or real estate whether caused directly or indirectly by the product. Some states and provinces do not allow the exclusion or limitation of incidental or consequential damages and some states do not allow limitations on how long an implied warranty lasts, so these exclusions or limitations may not apply to you. This warranty gives you specific legal rights and you may have other rights which vary from state to state and province to province.

FOR PARTS OR TECHNICAL ASSISTANCE

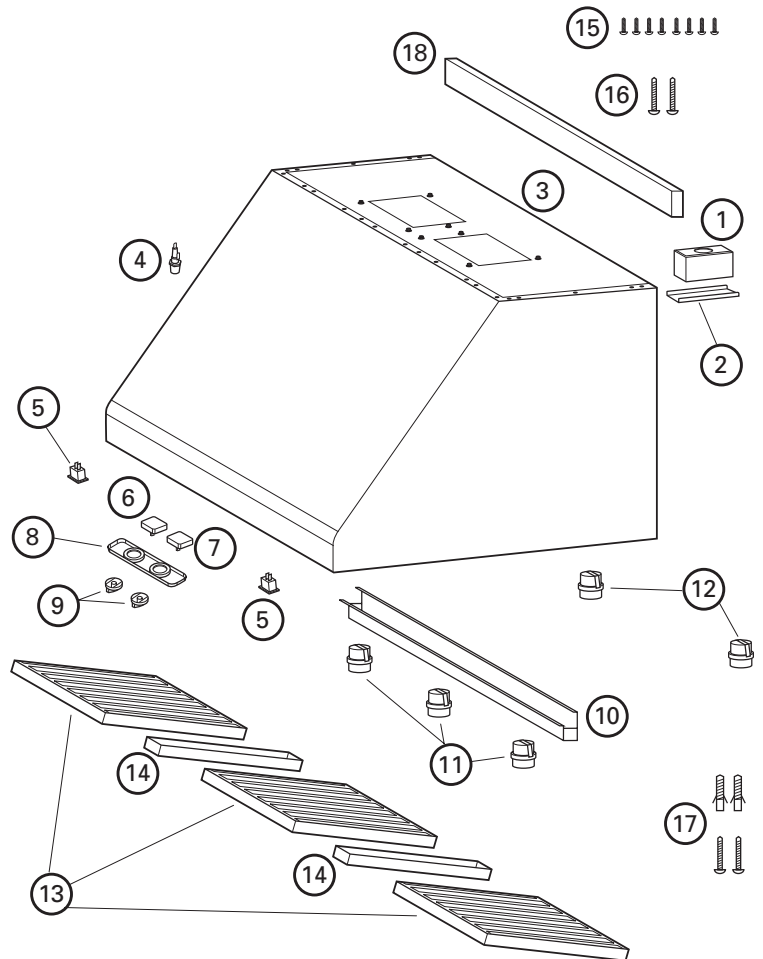
Please call: 1-800-465-7300, **MONDAY THROUGH FRIDAY, BETWEEN THE HOURS OF 8 AM AND 4:00 PM EST.**
PLEASE DO NOT RETURN PRODUCT TO PLACE OF PURCHASE.

Reference the type and style of product (located on label inside of the product) when you call.
 For more information please visit our website: www.airkinglimited.com

#	Qty.	Description	Replacement Part #
1	1	Wire Box	5S1136064
2	1	Wire Box Cover	5S1136065
3	1	Canopy	5S1136067
4	1	Fuse	5S1136068
5	2*	Heat Lamp Switch	5S1136069
6	1	Rotary Fan Switch	5S1136070
7	1	Rotary Light Switch	5S1136071
8	1	Switch Plate	5S1136072
9	2	Knob	5S1136073
10	1	Grease Trough - 30"	5S1136074
		Grease Trough - 36"	5S1136089
		Grease Trough - 42"	5S1136090
		Grease Trough - 48"	5S1136091
11	**	Halogen Lamp Holder	5S1136075
12	1*	Heat Lamp Holder	5S1136076
13	**	Baffle Filter - PHGB1	5S1136077
		Baffle Filter - PHGB2	5S1136078
		Baffle Filter - PHGB3	5S1136079
14	**	Filter Spacer - 30" Series	5S1136080
		Filter Spacer - 48" Series	5S1136081
15	**	3/4" Screw	5S1136086
16	**	2" Wood Screw	5S1136087
17	**	#8 Screw w/Wall Anchor	5S1136088
18	1	Wood Mounting Strip	5S1136084

* Models with Heat Lamps Only

** Quantity will vary depending on specific model



Installer: _____ Installation Date: _____

Place of Purchase: _____ Model Number: _____

INSTRUCTIONS IMPORTANTES – MANUEL D'OPÉRATION

Séries Professionnelles



Hotte de Cuisine

LIRE ET CONSERVER CES INSTRUCTIONS

LIRE SOIGNEUSEMENT AVANT DE TENTER D'ASSEMBLER, INSTALLER, OPÉRER OU DE RÉPARER LE PRODUIT DÉCRIT. PROTÉGEZ VOUS-MÊME ET LES AUTRES EN OBSERVANT TOUTE L'INFORMATION DE SÉCURITÉ. FAILLIR À SE CONFORMER AUX INSTRUCTIONS PEUT RÉSULTER EN BLESSURE PERSONNELLE GRAVE ET/OU EN DOMMAGE À LA PROPRIÉTÉ.

CONSERVER CES INSTRUCTIONS POUR RÉFÉRENCES FUTURES.

INSTRUCTIONS GÉNÉRALES DE SÉCURITÉ

Lors de l'utilisation d'appareils électriques, des précautions de base doivent toujours être suivies pour réduire les risques d'incendie, de choc électrique et de blessures corporelles, incluant ce qui suit:

AVERTISSEMENT: POUR RÉDUIRE LES RISQUES D'INCENDIE, DE CHOC ÉLECTRIQUE OU DE BLESSURES PERSONNELLES OBSERVER CE QUI SUIT:

1. Lire toutes les instructions avant d'installer ou d'utiliser la hotte de cuisine.
2. Utiliser cette unité seulement de la manière pour laquelle le fabricant l'a conçu. Si vous aviez des questions, veuillez contacter le fabricant.
3. Avant d'effectuer un service ou de nettoyer l'unité, couper l'alimentation électrique dans le panneau de distribution et verrouiller le dispositif de déconnexion afin d'éviter que l'alimentation ne revienne accidentellement. Lorsque le dispositif ne peut être verrouillé, fixer solidement un avis d'avertissement, tel qu'une étiquette, au panneau de distribution.
4. Le travail d'installation et le câblage électrique doivent être effectués par une(des) personne(s) qualifiée(s) en conformité avec tous les codes et normes applicables, incluant la construction relative aux incendies.
5. De l'air en quantité suffisante est requis pour la bonne combustion et l'évacuation de gaz par le conduit (cheminée) provenant d'équipement de brûlage au combustible pour prévenir un refoulement. Suivre les directives du fabricant de l'équipement de chauffage et les normes de sécurité telles que celles publiées par la National Fire Protection Association (NFPA) et de la American Society for Heating, Refrigeration, and Air Conditioning Engineers (ASHRAE), et de celles des autorités locales du code.

AVERTISSEMENT: POUR USAGE DE VENTILATION GÉNÉRALE EXCLUSIVEMENT. NE PAS UTILISER POUR ÉVACUER DU MATÉRIEL ET DES VAPEURS DANGEREUSES OU EXPLOSIVES.

6. Lors de coupe ou de perçage des murs et plafonds, ne pas endommager le filage électrique et autres utilités cachées.

AVERTISSEMENT: POUR RÉDUIRE LES RISQUES D'INCENDIE ET POUR ÉVACUER L'AIR ADÉQUATEMENT, ASSUREZ-VOUS D'ÉVACUER L'AIR VERS L'EXTÉRIEUR – NE PAS ÉVACUER L'AIR DANS DES ESPACES DANS LES MURS, LES PLAFONDS OU LES GRENIERS, LES GALERIES TECHNIQUES OU LES GARAGES.

7. Cette unité doit être mise à la terre.
8. Pour éviter des dommages aux roulements des moteurs et/ou des hélices bruyantes ou déséquilibrées, empêcher la poussière de cloison sèche, poussière de construction, etc., d'atteindre l'unité de puissance.

AVERTISSEMENT: POUR RÉDUIRE LES RISQUES D'INCENDIE OU DE CHOC ÉLECTRIQUE, NE PAS UTILISER CE VENTILATEUR AVEC UN RÉGULATEUR DE VITESSE ÉLECTRONIQUE.

AVERTISSEMENT: POUR RÉDUIRE LES RISQUES D'INCENDIE DE GRAISSE SUR LE DESSUS DE LA CUISINIÈRE:

- a) Ne jamais laisser les unités de surface à des degrés élevés sans surveillance. Les débordements par bouillonnement produisent de la fumée et des débordements graisseux qui peuvent s'enflammer. Chauffer les huiles lentement à des degrés faibles ou modérés.
- b) Toujours mettre la hotte EN MARCHÉ lors de cuisson à haute température ou lors de flambage de nourriture (par ex., des Crêpes Suzette, de Cerises Jubilées, steak flambé, etc.)
- c) Nettoyer les ventilateurs d'évacuation fréquemment. Aucune accumulation de graisse ne devrait être tolérée sur les filtres du ventilateur.
- d) Utiliser des poêlons de taille appropriée. Toujours utiliser les batteries de cuisine appropriées pour la taille de l'élément de surface.

AVERTISSEMENT: POUR RÉDUIRE LES RISQUES DE BLESSURES PERSONNELLES DANS L'ÉVENTUALITÉ D'UN FEU DE GRAISSE SUR LA SURFACE DE CUISSON, SUIVRE LES INDICATIONS SUIVANTES:

- a) ÉTOUFFER LES FLAMMES avec un couvercle bien ajusté, une tôle à biscuits, ou un cabaret de métal, puis, mettre le grill hors fonction. PRENEZ SOIN D'ÉVITER LES BRÛLURES. Si les flammes ne s'éteignent pas immédiatement, ÉVACUER ET APPELER LE SERVICE DES INCENDIES.
- b) NE JAMAIS SAISIR UN POÊLON EN FLAMME – vous pourriez être brûlé.
- c) NE PAS UTILISER DE L'EAU, incluant les linges à vaisselle ou les serviettes mouillées – il en résulterait une violente explosion de vapeur.
- d) Utiliser un extincteur SEULEMENT SI:
 - I. Vous savez que vous avez un extincteur de classe ABC, et que vous savez déjà comment l'opérer.
 - II. Le feu est petit et contenu dans la zone où il a commencé.
 - III. On appelle le service des incendies.
 - IV. Vous pouvez combattre l'incendie avec une sortie derrière vous.

AVERTISSEMENT: POUR RÉDUIRE LES RISQUES D'INCENDIE, UTILISER UNIQUEMENT DES CONDUITS EN MÉTAL.

CONSERVER CES INSTRUCTIONS

INSTRUCTIONS D'INSTALLATION

AVERTISSEMENT: VOUS ASSURER QUE L'ALIMENTATION EST COUPÉE AU PANNEAU DE SERVICE AVANT DE COMMENCER L'INSTALLATION.

SECTION 1

Préparation de la hotte de cuisinière

- Sortir la hotte de son emballage et confirmer que toutes les pièces sont présentes. En plus de la hotte, vous devriez avoir :

1 - Contenu de l'emballage :

3 - Vis à bois de 5,1 cm

8 - Vis à bois de 1,9 cm (modèles de 91,44 cm: 12 / modèles de 106,68, 121,92 cm: 16)

4 - Ancrages muraux (modèles de 91,44 cm: 6 / modèles de 106,68, 121,92 cm: 8)

Modèles de 76,2 cm : 2 - gros déflecteurs PHGB3, un espaceur

Modèles de 91,44 cm : 2 - gros déflecteurs PHGB3, un petit déflecteur PHGB1

Modèles de 106,68 cm : 2 - gros déflecteurs PHGB3, un déflecteur moyen PHGB2

Modèles de 121,92 cm : 2 - gros déflecteurs PHGB3, deux espaceurs

1 - Dalot à graisse

1 - Bande de montage en bois

1 - Feuillet d'instruction/de sécurité

REMARQUE : Certaines hottes peuvent être expédiées avec protecteur en plastique collé à la hotte. Il est recommandé de le laisser en place durant l'installation pour protéger la hotte contre les égratignures. Enlever une fois l'installation complétée.

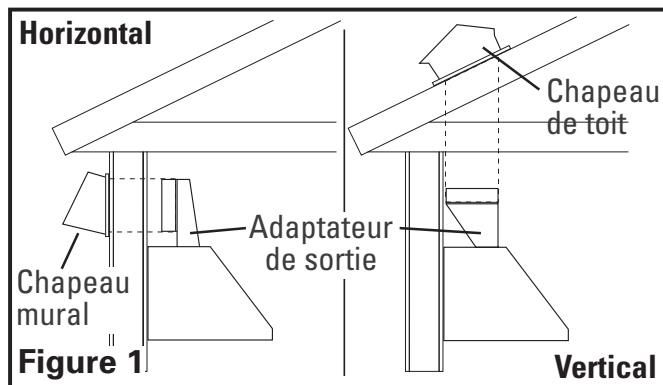
SECTION 2

Conduits

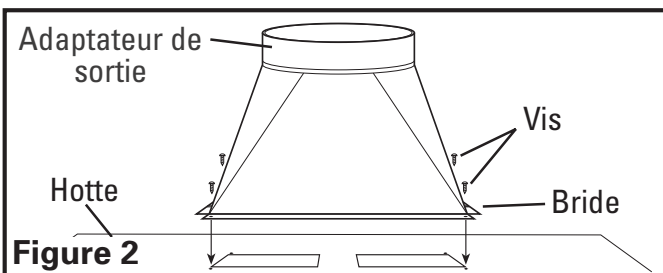
AVERTISSEMENT: TOUS LES CONDUITS DOIVENT ÊTRE CONFORMES AUX CODES DU BÂTIMENT LOCAUX ET NATIONAUX.

AVERTISSEMENT: POUR RÉDUIRE LES RISQUES D'INCENDIE, UTILISER UNIQUEMENT DES CONDUITS EN MÉTAL.

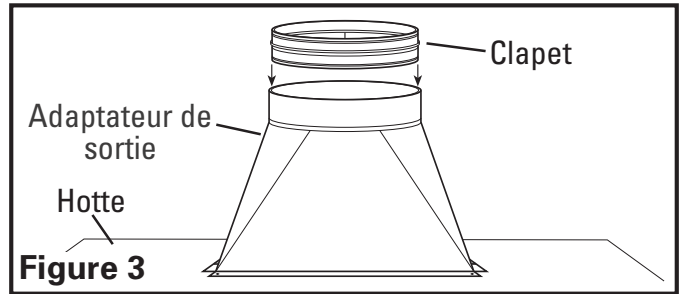
- Déterminer le type de conduits dont vous aurez besoin (Figure 1).



- Installer l'adaptateur mural de la bonne taille requise (disponible séparément) à la hotte en appariant les quatre trous sur la bride de l'adaptateur aux quatre trous correspondants sur la hotte et fixer en place avec les vis comprises. Assurez-vous que le joint est étanche autour de l'adaptateur en sécurisant tous les raccords avec du ruban de gaine (Figure 2).



- Il est fortement recommandé qu'un clapet anti-retour soit installé pour prévenir que l'air extérieur circule vers la maison. Choisir un clapet anti-retour (disponible séparément) de taille appariant le diamètre de l'adaptateur de sortie. Fixer le clapet anti-retour dans l'adaptateur de sortie, faire l'ajustement serré dans l'ouverture ronde de l'adaptateur jusqu'à ce qu'il soit complètement inséré, en vous assurant que le clapet s'ouvre en provenance de la hotte sinon le débit d'air sera restreint (Figure 3).



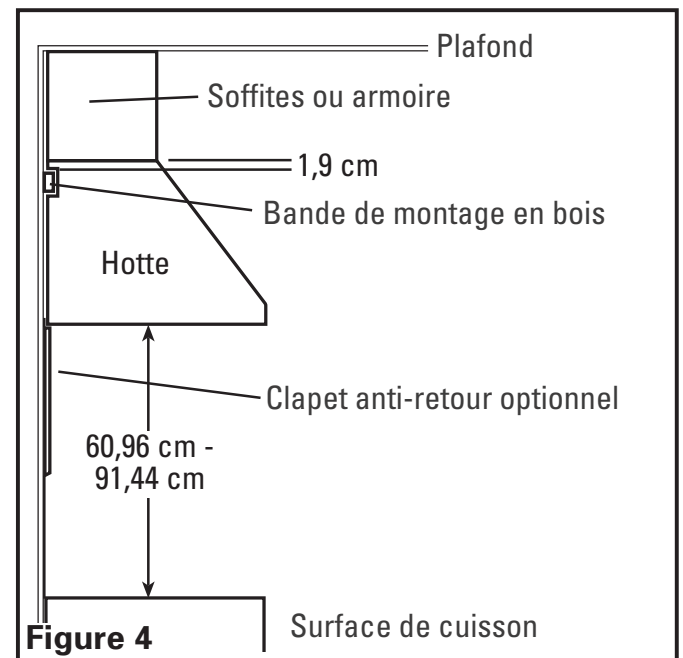
AVERTISSEMENT: VOUS ASSURER QUE L'ALIMENTATION EST COUPÉE AU PANNEAU DE SERVICE AVANT DE COMMENCER L'INSTALLATION.

AVERTISSEMENT: LORS DE DECOUPE OU DE PERCAGE DANS UN MUR NE PAS ENDOMMAGER DE FILAGE ELECTRIQUE OU AUTRES UTILITES DISSIMULEES.

SECTION 3

Mesurage de l'installation de la hotte

- Les mesures pour l'installation seront personnalisées à votre emplacement spécifique et dépendront de la hauteur exacte du plafond, de la distance de la surface de cuisson, de la hauteur de l'armoire ou du soffite, ainsi que d'autres facteurs et doivent être ajustées en conséquence. La hotte doit être montée à un minimum de 60,1 cm et à un maximum de 91,4 cm de la surface de cuisson (Figure 4).



SECTION 4

Installation du clapet anti-retour

- Si un clapet anti-retour optionnel de Série BS sera utilisé, celui-ci doit être installé avant le couvert de la hotte parce que le couvert de la hotte couvrira les vis de montage du clapet anti-retour. Référez-vous aux instructions comprises avec le clapet anti-retour pour l'installation.

SECTION 5

Installation de la hotte

1. Mesurer et marquer une ligne de niveau sur le mur au-dessus de la surface de cuisson pour la bande de montage en bois comprise. La hauteur de la bande de montage dépendra de votre installation spécifique et doit être à 1,9 cm en dessous de la hauteur du haut du couvert de la hotte (Figure 5).

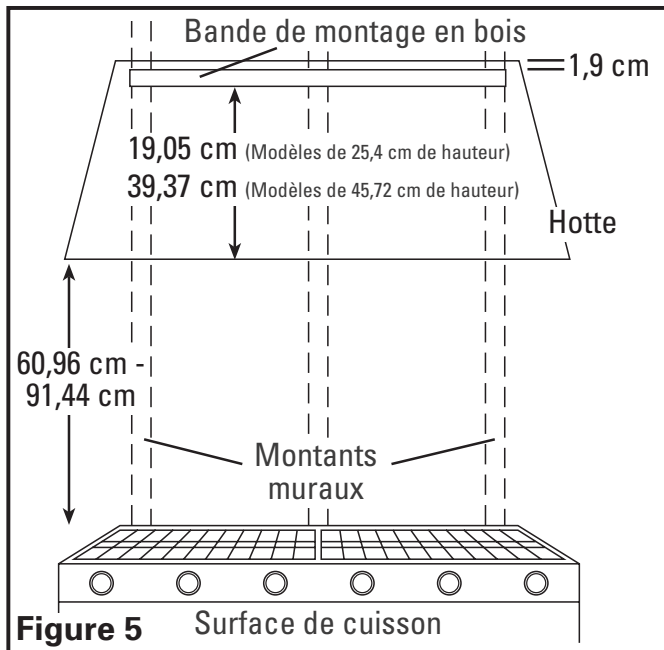


Figure 5

2. Fixer la bande de bois comprise en place en utilisant les vis de montage de 5,1 cm comprises en vous assurant que les vis s'enfoncent dans les montants muraux (Figure 6).

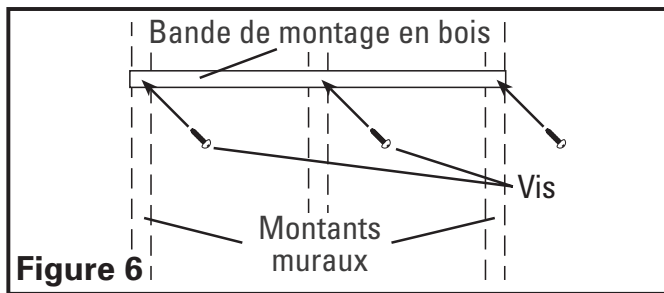


Figure 6

AVERTISSEMENT : EN RAISON DE LA HAUTEUR DE LA HOTTE, ASSUREZ-VOUS QUE LA BANDE DE BOIS EST FIXÉE A TOUS LES MONTANTS MURAUX DISPONIBLES (UN MINIMUM DE 2 MONTANTS POUR LES HOTTES DE 76,2 CM, ET PLUS ALORS QUE LA LARGEUR AUGMENTE) ET NON PAS SEULEMENT DANS LA CLOISON SECHÉ.

AVERTISSEMENT : SUPPORTER LA HOTTE JUSQU'À CE QU'ELLE SOIT COMPLETEMENT INSTALLÉE SUR LA BANDE DE MONTAGE EN BOIS.

3. Faire reposer la cavité sur le côté arrière sur la bande de bois et marquer les emplacements de perçage sur le mur pour les ancrages muraux au bas à l'arrière de la hotte. Enlever la hotte et installer les ancrages muraux (Figure 7).

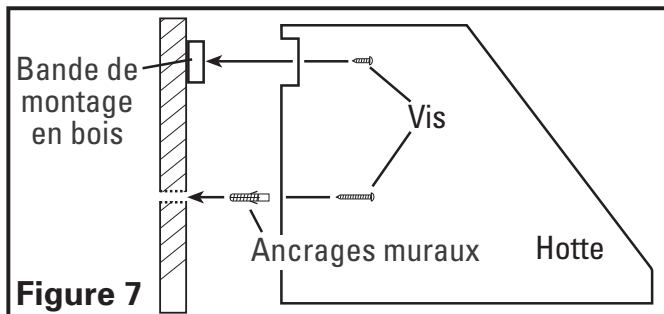


Figure 7

4. Faire reposer la cavité sur le côté arrière de la hotte sur la bande de bois et fixer à la bande de bois avec les vis de 1,9 cm comprises au travers des trous dans l'arrière de la hotte qui s'alignent avec la bande de bois (utiliser les 6 vis pour les largeurs de 76,2 et de 91,4 cm et 8 vis pour les largeurs supérieures). Fixer le bas de la hotte en installant les vis fournies avec les ancrages muraux. (Figure 7).

SECTION 6

Câblage

AVERTISSEMENT: TOUTES LES CONNEXIONS DOIVENT ÊTRE FAITES EN CONFORMITÉ AVEC LES CODES ÉLECTRIQUES LOCAUX OU NATIONAUX. SI VOUS N'ÊTES PAS FAMILIER AVEC LES MÉTHODES D'INSTALLATION DE CÂBLAGE ÉLECTRIQUE, RECOURREZ AUX SERVICES D'UN ÉLECTRICIEN QUALIFIÉ.

1. Enlever les deux vis du couvercle du compartiment de câblage pour obtenir l'accès au compartiment de câblage (Figure 8). Raccorder le fil blanc de la hotte au fil blanc de l'alimentation, et le fil noir de la hotte au fil noir de l'alimentation. Raccorder le fil de mise à la terre de la maison (fil nu ou vert) au fil de mise à la terre (vert) de la hotte. Utiliser des méthodes approuvées pour toutes les connexions (Figure 9).
2. Replacer le couvercle du compartiment de câblage et serrer les vis. Assurez-vous que tout le câblage est fermement contenu dans le compartiment à câblage. Si le connecteur rapide de fils a été enlevé du réceptacle, le remplacer. Le connecteur ne s'ajustera que d'une seule façon dans le réceptacle (Figure 8).

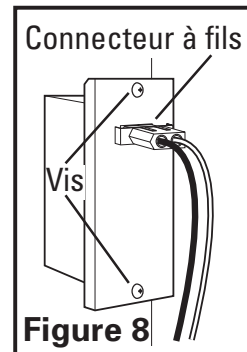


Figure 8

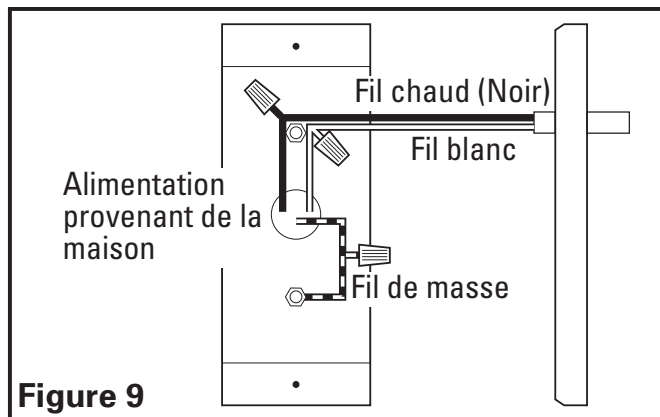


Figure 9

SECTION 7

Installation de soffites optionnels

1. Référez-vous aux instructions comprises avec le(s) soffite(s) spécifique(s) que vous avez choisi pour l'installation.

SECTION 8

Installation de la soufflante

1. Référez-vous aux instructions comprises avec la soufflante spécifique que vous avez choisie pour l'installation.

SECTION 9

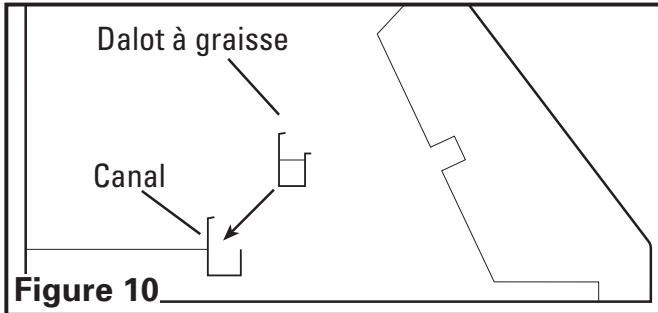
Terminer l'installation

1. Installer le bon éclairage pour votre unité spécifique :

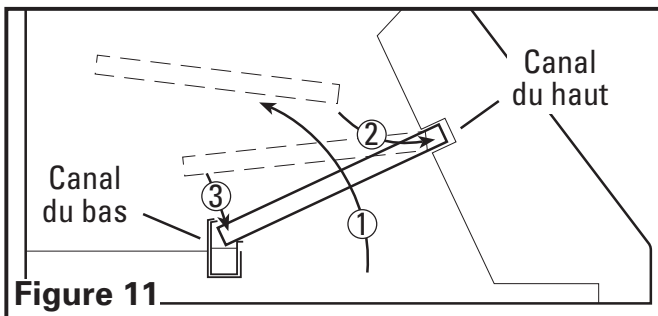
Lampes halogènes : Utiliser des lampes PAR20, d'un maximum de 50 watts (disponibles séparément). L'installer en insérant la lampe dans le réceptacle et en tournant en sens horaire jusqu'à ce que la lampe soit fermement installée. NE PAS serrer à outrance.

Lampes chauffantes : Utiliser des lampes PAR38 à infrarouge de 175 watts uniquement (disponibles séparément). L'installer en insérant la lampe dans le réceptacle et en tournant en sens horaire jusqu'à ce que la lampe soit fermement installée. NE PAS serrer à outrance.

- Si le dalot à graisse rétractable compris n'est pas déjà installé dans la hotte, l'insérer dans le canal intérieur arrière de la hotte. Assurez-vous que le côté le plus long du dalot fait face vers l'arrière de la hotte (**Figure 10**).



- Installer les filtres déflecteurs avec les barres d'espacement qui sont requises en insérant le dessus du filtre dans le canal du haut de la hotte, puis glisser le bas du filtre dans le canal du bas. Dans les modèles avec espaceurs, il est plus facile d'installer le(s) espaceur(s) d'abord et les filtres à graisse en dernier (**Figure 11**).

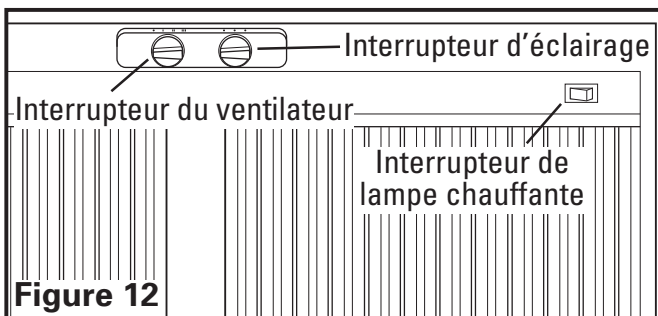


SECTION 10

Operation

Contrôles

Votre hotte de cuisinière est équipée avec deux interrupteurs rotatifs dont l'un contrôle l'éclairage et l'autre contrôle la soufflante du ventilateur d'évacuation. L'interrupteur de l'éclairage a 3 positions, HAUTE (*), BASSE (*), et ÉTEINTE (•). L'interrupteur du ventilateur a quatre positions, ÉTEINT (•), HAUT (I), MOYEN (II), et BAS (III) (**Figure 12**).



REMARQUE : Sur les installations où un ventilateur à une (1) seule vitesse est utilisé, tous les contrôles du ventilateur opèrent à la même vitesse. Sur les installations où un ventilateur à deux (2) vitesses est utilisé, les vitesses MOYENNE et HAUTE opèrent à la même vitesse.

Contrôles des lampes chauffantes : Pour les modèles équipés de lampes chauffantes, deux commutateurs En/Hors sont situés à l'avant du côté inférieur de la hotte pour un contrôle indépendant des lampes de chauffage (**Figure 12**).

SECTION 11

Maintenance

AVERTISSEMENT: VOUS ASSURER QUE L'ALIMENTATION EST COUPÉE AU PANNEAU DE SERVICE AVANT DE FAIRE L'ENTRETIEN SUR L'UNITÉ.

Défecteurs de graisse – des déflecteurs de graisse sont compris avec votre hotte de cuisinière, ce sont des déflecteurs en aluminium ainsi qu'un dalot à graisse qui doivent être lavés au moins une fois par mois. Les déflecteurs et le dalot vont au lave-vaisselle et doivent être lavés avec un savon ou un détergent doux. Inverser les instructions de la **Section 9 Terminer l'installation**, pour enlever les déflecteurs et le dalot. Si vous endommagez les déflecteurs de graisse, remplacer avec les déflecteurs de graisse modèle PHGB1, PHGB2, ou PHGB3.

AVERTISSEMENT: LAISSER REFROIDIR LA LAMPE AVANT DE LA REMPLACER.

Remplacement des lampes : Débrancher l'alimentation de l'unité et dévisser les lampes des réceptacles. Remplacer avec des lampes telles que spécifiées à la **Section 9 Terminer l'installation**.

Nettoyage

AVERTISSEMENT: NE PAS UTILISER D'ESSENCE, BENZÈNE, DILUANT, DE NETTOYANT FORT, ETC., PUISQU'ILS POURRAIENT ENDOMMAGER LA HOTTE DE CUISINE.

- Nettoyer votre hotte de cuisine avec un détergent doux, tel que du liquide à vaisselle, et le sécher avec un chiffon doux. **NE JAMAIS UTILISER DE TAMPON ABRASIF OU DE POUDRE À RÉCURER.** Sécher complètement avant de remettre l'alimentation. **NE JAMAIS IMMERGER LES PARTIES ÉLECTRIQUES DANS L'EAU.**
- L'assemblage de la soufflante peut être passé à l'aspirateur au cas où un amas (saleté, peluche, etc.) se serait accumulé avec le temps. La soufflante est lubrifiée en permanence et ne nécessite pas d'huile.

Guide de dépannage

Trouble	Cause possible	Solution suggérée
1. La hotte ne fonctionne pas lorsque l'interrupteur est à EN (ON).	1a. Un fusible peut être grillé ou un disjoncteur peut être déclenché. 1b. Le câblage n'est pas raccordé correctement.	1a. Remplacer le fusible ou réinitialiser le disjoncteur. 1b. Couper l'alimentation de l'unité. Vérifier que tous les fils sont raccordés.
2. La hotte fonctionne, mais l'air circule plus lentement que la normale.	2. Obstruction dans les conduits d'évacuation.	2. Vérifier pour quelque obstruction dans les conduits incluant le filtre.
3. La hotte produit un son de crécelle.	3a. Les filtres sont lâches 3b. Le raccord des conduits est lâche.	3a. Couper l'alimentation à l'unité. Vérifier que tous les filtres sont bien fixés. 3b. Couper l'alimentation de l'unité. Vérifier que tous les raccords des conduits sont bien serrés.

GARANTIE LIMITÉE

Tous les produits fabriqués par Air King Limited sont garantis pour un an à partir de la date d'achat contre les défauts de main d'œuvre et/ou de matériel. De plus, tous les ventilateurs / évacuateurs, chaufferettes, combinés ventilateur/ lumière et/ou les chaufferettes et les hottes de cuisine sont garantis pour cinq années à partir de la date d'achat contre les défauts de main d'œuvre et/ou de matériel.

Cette garantie ne couvre pas de coûts de transport ou de main d'œuvre ou le coût de remplacement de composantes faisant partie d'entretien de routine tels que : Filtres à graisse des hottes de cuisine, filtres au charbon ou combiné filtre à graisse/ charbon ; ampoules électriques de remplacement dans les hottes de cuisine ou les combinés ventilateur/ lumière/ chaufferette pour salle de bain. Aussi, tout dommage ou défaillance causé par un abus, une mauvaise utilisation, une installation fautive ou un entretien incorrect ne sera pas couvert par cette garantie.

De manière à effectuer une réclamation sous cette garantie, vous devez être l'acheteur original du produit. Il vous sera exigé de présenter la facture d'achat originale à Air King, qui démontrera : La date d'achat, l'endroit de l'achat et le modèle acheté. Le manquement à rencontrer ces exigences annulera votre garantie.

Air King ne sera pas tenu responsable de quelque blessure corporelle ou dommage à la propriété ou à l'immeuble que ce soit causé directement ou indirectement par le produit. Certains États ne permettent pas de limitation sur la durée de la garantie implicite, ou l'exclusion ou la limitation de dommages indirects ou accessoires, ainsi, ces limitations et exclusions peuvent ne pas s'appliquer à vous. Cette garantie vous donne des droits légaux spécifiques et vous pouvez aussi avoir des droits qui varient d'un État à l'autre et d'une province à l'autre.

POUR DES PIÈCES OU DE L'ASSISTANCE TECHNIQUE

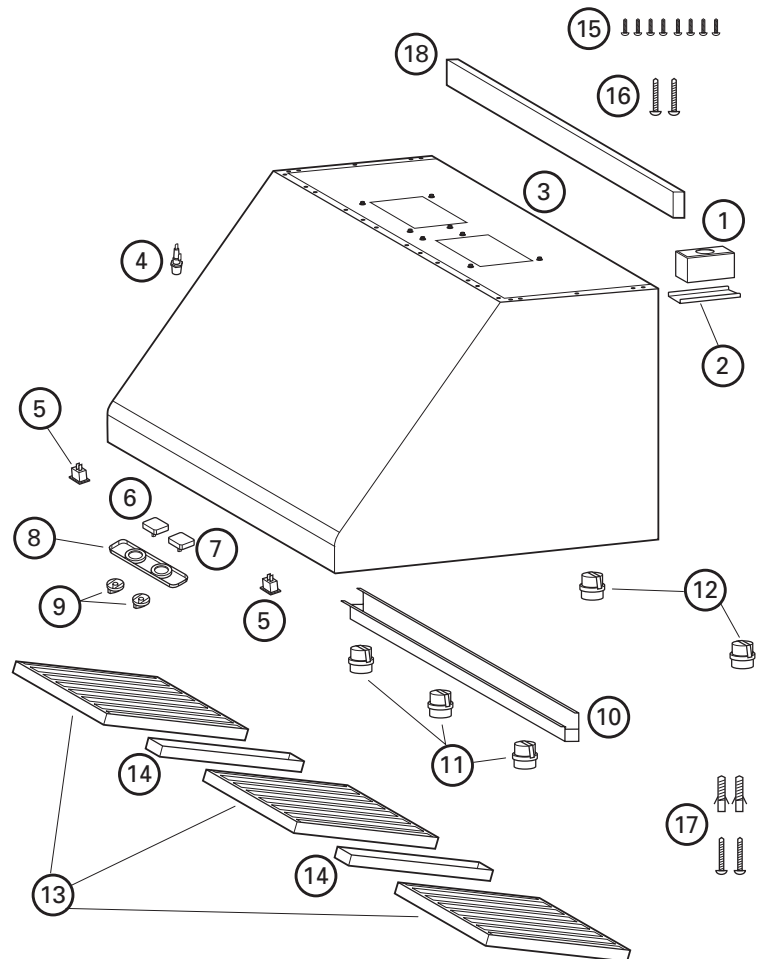
Veuillez appeler au 1-800-465-7300, **DU LUNDI AU VENDREDI ENTRE 8:00 HRE ET 16:00 HRE HNE.**
VEUILLEZ NE PAS RETOURNER CE PRODUIT À L'ENDROIT DE L'ACHAT D'ORIGINE.

Référencer le type et le style du produit (localisé sur l'étiquette à l'intérieur du produit) lorsque vous appelez.
 Pour plus d'information, veuillez visiter le site Web de Air King au www.airkinglimited.com

#	Qté.	Description	# de pièce de remplacement
1	1	Boîte de filage	5S1136064
2	1	Couvercle de la boîte de filage	5S1136065
3	1	Couvert	5S1136067
4	1	Fusible	5S1136068
5	2*	Interrupteur de lampe chauffante	5S1136069
6	1	Interrupteur rotatif du ventilateur	5S1136070
7	1	Interrupteur rotatif de l'éclairage	5S1136071
8	1	Plaque d'interrupteur	5S1136072
9	2	Boutons	5S1136073
10	1	Dalot à graisse - 76,2 cm	5S1136074
		Dalot à graisse - 91,44 cm	5S1136089
		Dalot à graisse - 106,68 cm	5S1136090
		Dalot à graisse - 121,92 cm	5S1136091
11	**	Support à lampe halogène	5S1136075
12	1*	Support pour lampe chauffante	5S1136076
13	**	Filtre déflecteur - PHGB1	5S1136077
		Filtre déflecteur - PHGB2	5S1136078
		Filtre déflecteur - PHGB3	5S1136079
14	**	Espaceur du filtre - Séries 76,2 cm	5S1136080
		Espaceur du filtre - Séries 121,92 cm	5S1136081
15	**	Vis de 1,9 cm	5S1136086
16	**	Vis à bois de 5,1 cm	5S1136087
17	**	Vis #8 avec ancrages muraux	5S1136088
18	1	Bande de montage en bois	5S1136084

* Modèles avec lampe chauffante uniquement

** La quantité varie selon le modèle spécifique



Installateur: _____ Date d'installation: _____

Endroit de l'achat: _____ Numéro de modèle: _____

INSTRUCCIONES IMPORTANTES – MANUAL DE OPERACIÓN

Serie Profesional



Campana de
Extracción

LEA Y GUARDE ESTAS INSTRUCCIONES

LEA CUIDADOSAMENTE ANTES DE INTENTAR MONTAR, INSTALAR, OPERAR O MANTENER EL PRODUCTO DESCRITO. PROTÉJASE A USTED MISMO Y A LOS DEMÁS OBEDECIENDO TODA LA INFORMACIÓN DE SEGURIDAD. ¡EL HECHO DE NO CUMPLIR CON LAS INSTRUCCIONES PODRÍA RESULTAR EN DAÑOS PERSONALES Y/O A LA PROPIEDAD!

CONSERVE LAS INSTRUCCIONES PARA REFERENCIA FUTURA.

INFORMACIÓN GENERAL DE SEGURIDAD

Quando utilice aparatos eléctricos, siempre deben seguirse precauciones básicas para reducir el riesgo de incendio, choque eléctrico y heridas a personas, incluyendo las siguientes:

ADVERTENCIA: PARA REDUCIR EL RIESGO DE INCENDIO, CHOQUE ELÉCTRICO Y HERIDAS A PERSONAS, OBEDEZCA LO SIGUIENTE:

1. Lea todas las instrucciones antes de instalar o usar la campana de extracción.
2. Use esta unidad solamente de la forma indicada por el fabricante. Si tiene preguntas, contacte al fabricante.
3. Antes de reparar o limpiar la unidad, apague el suministro de electricidad en el panel de servicio y cierre los medios de desconexión del servicio para evitar que la electricidad sea activada accidentalmente. Cuando los medios de desconexión del servicio no puedan ser cerrados, coloque un dispositivo de alerta firmemente ajustado, como por ejemplo una etiqueta, en el panel de servicio.
4. El trabajo de instalación y de cableado eléctrico debe ser realizado por personal calificado de acuerdo con los códigos y estándares aplicables, incluyendo la construcción relacionada con incendios.
5. Se necesita suficiente aire para la combustión y escape adecuado de gases a través del tiro (chimenea) del equipo de quema de combustible para evitar llamaradas. Siga los principios y estándares de seguridad de los fabricantes de equipos de calefacción como por ejemplo aquellos publicados por la Asociación Nacional de Protección Contra Incendios [National Fire Protection Association (NFPA)] y la Sociedad Americana para Ingenieros de Calefacción, Refrigeración y Aire Acondicionado [American Society for Heating, Refrigeration, and Air Conditioning Engineers (ASHRAE)], y las publicaciones de códigos locales.

CUIDADO: SÓLO PARA USO EN VENTILACIÓN GENERAL. NO USE PARA ESCAPES DE MATERIALES PELIGROSOS O EXPLOSIVOS Y VAPORES.

6. Al perforar o taladrar una pared o un cielorraso, no dañe el cableado eléctrico ni otros servicios empotrados.

CUIDADO: PARA REDUCIR EL RIESGO DE INCENDIO Y PARA PERMITIR EL ESCAPE ADECUADO DEL AIRE, ASEGÚRESE DE VENTILAR EL AIRE HACIA EL EXTERIOR –NO VENTILE EL AIRE DE ESCAPE EN ESPACIOS ENTRE PAREDES O CIELORRASOS O DENTRO DE ÁTICOS, ESPACIOS BAJO EL PISO O GARAJES.

7. Esta unidad debe tener conexión a tierra.
8. Para evitar el daño a los rulemanes del motor y para no tener impulsores ruidosos y/o desbalanceados, mantenga el polvillo de mampostería o de construcción, etc., lejos de la unidad eléctrica.

ADVERTENCIA: PARA REDUCIR EL RIESGO DE INCENDIO, CHOQUE ELÉCTRICO, NO USE ESTE EXTRACTOR CON NINGÚN DISPOSITIVO DE CONTROL DE VELOCIDAD DE ESTADO SÓLIDO.

ADVERTENCIA: PARA REDUCIR EL RIESGO DE UN INCENDIO DE LA GRASA EN LA PARTE SUPERIOR DE LA CAMPANA:

- a) Nunca descuide las unidades superficiales en ubicaciones elevadas. Los hervores provocan humo y derrames de grasa que podrían incendiarse. Caliente aceites solamente en ubicaciones bajas o medias.
- b) Siempre ENCIENDA la campana cuando esté cocinando a fuego máximo o cuando esté “flambeando” comidas (por ejemplo: Crepes Suzette, Cerezas Jubilee, Carne Flambeada con Granos de Pimienta).
- c) Limpie los ventiladores de extracción frecuentemente. No debe permitir que se acumule grasa en el filtro del ventilador.
- d) Use el tamaño de fuente apropiado. Siempre use utensilios de cocina adecuados para el tamaño del elemento de superficie.

ADVERTENCIA: PARA REDUCIR EL RIESGO DE DAÑO A PERSONAS EN EL CASO DE UN INCENDIO DE LA GRASA EN LA PARTE SUPERIOR DE LA CAMPANA, OBEDEZCA LAS SIGUIENTES INSTRUCCIONES:

- a) AHOGUE LAS LLAMAS con una tapa de cierre hermético, banda para horno o bandeja de metal y luego apague el quemador. ASEGÚRESE DE EVITAR QUEMADURAS. Si las llamas no se extinguen de inmediato, RETÍRESE Y LLAME AL DEPARTAMENTO DE BOMBEROS.
- b) NUNCA LEVANTE UNA FUENTE EN LLAMAS – Podría resultar con quemaduras.
- c) NO USE AGUA, incluyendo trapos de cocina o toallas húmedas – podrían provocar una explosión violenta de vapor.
- d) Use un extintor SOLAMENTE si:
 - I. Usted sabe que tiene un extintor Clase ABC, y ya sabe cómo operarlo.
 - II. El incendio es pequeño y está contenido en el área donde se inició.
 - III. Se está llamando al departamento de incendios.
 - IV. Usted puede combatir el incendio con su espalda hacia una salida.

ADVERTENCIA: PARA REDUCIR EL RIESGO DE INCENDIO, USE SÓLO TUBERÍAS DE METAL.

CONSERVE ESTAS INSTRUCCIONES

INSTRUCCIONES DE INSTALACIÓN

CUIDADO: ASEGÚRESE QUE EL SUMINISTRO ELÉCTRICO ESTÉ APAGADO EN UN PANEL DE SERVICIO ANTES DE COMENZAR LA INSTALACIÓN.

SECCIÓN 1

Preparación de la campana extractora

1. Desempaque la campana de la caja y confirme que todas las piezas estén presentes. Además de la campana usted debe tener:

1 - Paquete conteniendo:

3 - Tornillos de madera de 50,80 mm

8 - Tornillos de madera de 19,05 mm

(modelos de 914 mm: 12 / modelos de 1067, 1219 mm: 16)

4 - anclajes de pared (modelos de 914 mm: 6 / modelos de 1067, 1219 mm: 8)

Modelos de 762 mm: 2 deflectores grandes PHGB3, un espaciador

Modelos de 914 mm: 2 deflectores grandes PHGB3, un deflector pequeño PHGB1

Modelos de 1067 mm: 2 deflectores grandes PHGB3, un deflector PHGB2 mediano

Modelos de 1219 mm: 2 deflectores grandes PHGB3, dos espaciadores

1 - Canaleta para grasa

1 - Listón de madera para montaje

1 - Hoja de instrucciones/seguridad

NOTA: Algunas campanas pueden ser despachadas con un plástico protector adherido a la campana extractora. Se recomienda dejar dicho plástico en su lugar durante la instalación para proteger a la campana de raspaduras. Retire cuando se haya completado la instalación.

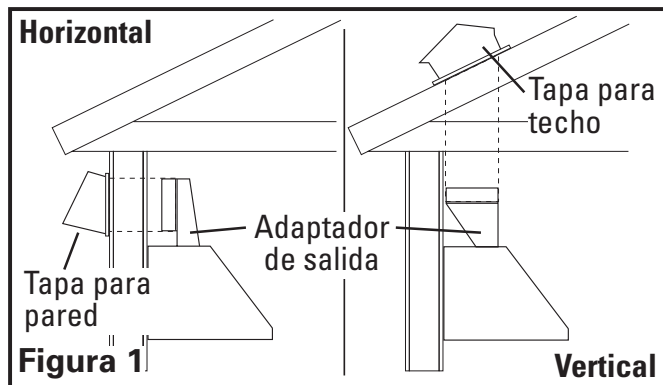
SECCIÓN 2

Componentes para conductos

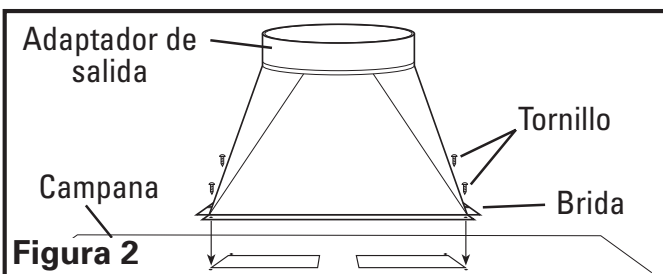
CUIDADO: TODAS LAS TUBERÍAS DEBEN CUMPLIR CON LOS CÓDIGOS DE CONSTRUCCIÓN LOCALES Y NACIONALES.

PRECAUCIÓN: PARA REDUCIR EL RIESGO DE INCENDIO, USE SÓLO TUBERÍAS DE METAL.

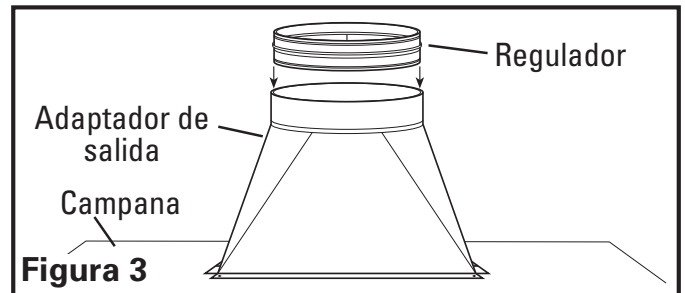
1. Determine el tipo de conducto que va a requerir (Figura 1).



2. Instale el adaptador de salida del tamaño adecuado (disponible por separado) a la campana haciendo coincidir los cuatro orificios en la brida del adaptador con los cuatro orificios correspondientes en la campana y asegure en su lugar con los tornillos suministrados. Garantice un sellado hermético alrededor del adaptador asegurando todas las conexiones con cinta de embalaje (Figura 2).



3. Es altamente recomendable la instalación de un regulador de corriente invertida de aire para evitar que el aire exterior vuelva a ingresar a la casa. Elija un regulador de corriente invertida de aire (disponible por separado) del tamaño adecuado para coincidir con el diámetro del adaptador de salida. Adose el regulador de corriente invertida de aire al adaptador de salida, oprima hasta introducirlo en la abertura redonda del adaptador hasta que esté completamente apoyado, asegurándose que el regulador se abra hacia fuera de la campana, de lo contrario el flujo de aire quedará restringido (Figura 3).



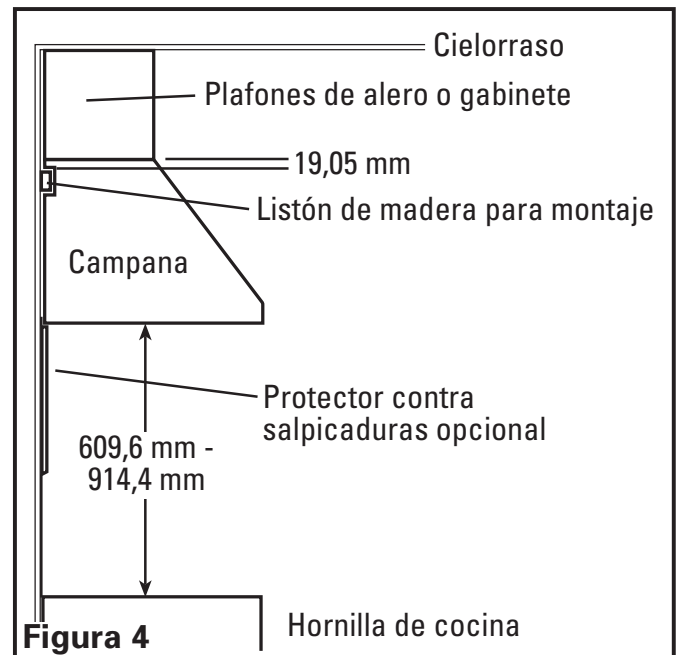
CUIDADO: ASEGÚRESE QUE EL SUMINISTRO ELÉCTRICO ESTÉ APAGADO EN UN PANEL DE SERVICIO ANTES DE COMENZAR LA INSTALACIÓN.

PRECAUCIÓN: AL PERFORAR O TALADRAR UNA PARED O UN CIELORRASO, NO DAÑE EL CABLEADO ELÉCTRICO NI OTROS SERVICIOS EMPOTRADOS.

SECCIÓN 3

Mediciones para la instalación de la campana

1. Las mediciones para la instalación deben adaptarse a su ubicación específica y dependerán de la altura exacta del cielorraso, la distancia montada desde la superficie de cocina, las alturas del gabinete o del plafón de alero, además de otros factores y deberán ser ajustadas conforme a ellos. La campana debe montarse a un mínimo de 609,6 mm y a un máximo de 914,4 mm de la superficie de la cocina (Figura 4).



SECCIÓN 4

Instalación del protector contra salpicaduras

1. Si se va a utilizar un protector contra salpicaduras opcional de la Serie BS, el mismo debe ser instalado antes de la bóveda de la campana porque dicha bóveda cubrirá los tornillos de montaje del protector contra salpicaduras. Consulte las instrucciones incluidas con el protector contra salpicaduras para la instalación.

SECCIÓN 5

Instalación de la campana extractora

1. Mida y marque una línea de nivel en la pared encima de las hornillas de la cocina para el listón de madera para montaje incluido. La altura del listón para montaje dependerá de su instalación específica y debe estar a 19,05 mm por encima de la parte superior de la altura de la bóveda de la campana (Figura 5).

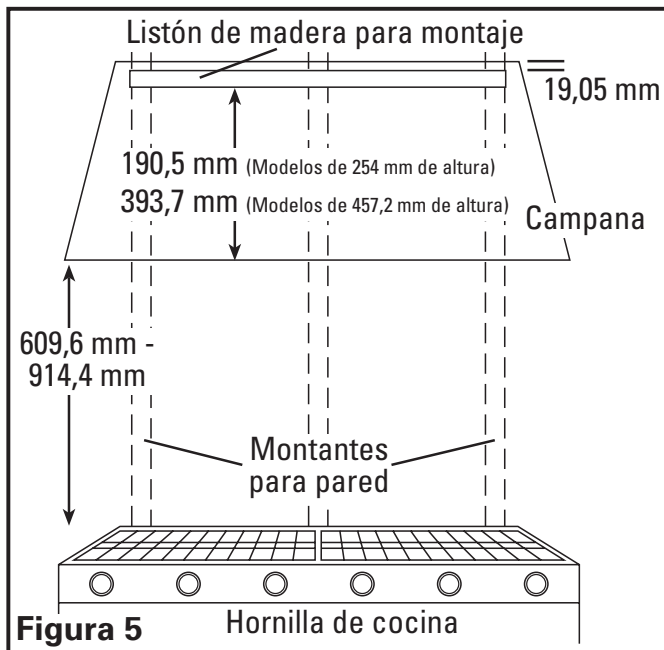


Figura 5

2. Asegure el listón de madera incluido en su lugar usando los tornillos de montaje de 254 mm suministrados y garantizando que los tornillos estén sujetos a los montantes para pared (Figura 6).

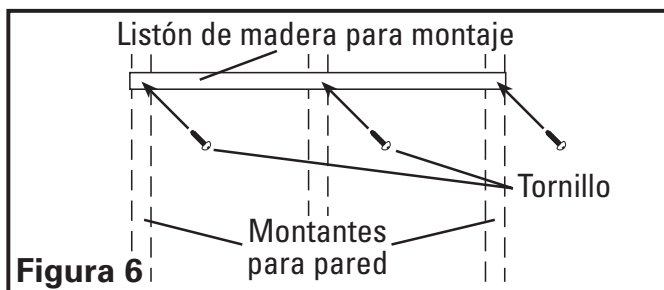


Figura 6

PRECAUCIÓN: DEBIDO AL PESO DE LA CAMPANA, ASEGÚRESE QUE EL LISTÓN DE MADERA ESTÉ SUJETADO A TODOS LOS MONTANTES PARA PARED DISPONIBLES (UN MÍNIMO DE 2 MONTANTES PARA CAMPANAS DE 762 mm, Y MÁS CANTIDAD A MEDIDA QUE EL ANCHO SE INCREMENTE) NO SOLAMENTE AL PANEL DE YESO.

PRECAUCIÓN: SOSTENGA LA CAMPANA HASTA QUE ESTÉ COMPLETAMENTE INSTALADA EN EL LISTÓN DE MADERA PARA MONTAJE.

3. Apoye la cavidad en la parte posterior de la campana sobre el listón de madera y marque los lugares para taladrar sobre la pared para instalar los anclajes en la parte trasera e inferior de la campana. Retire la campana e instale los anclajes para pared (Figura 7).

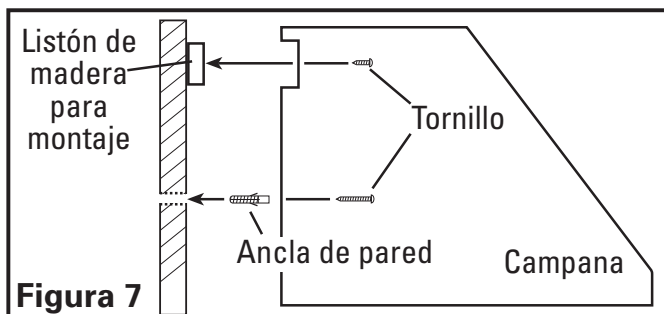


Figura 7

4. Apoye la cavidad en la parte posterior de la campana sobre el listón de madera y asegure la campana a dicho listón con los tornillos de 19,05 mm incluidos a través de los orificios en la parte posterior de la campana que coinciden con el listón de madera (use 6 tornillos para anchos de 762 mm y 914,4 mm y 8 tornillos para anchos mayores) Asegure la parte inferior de la campana instalando los tornillos suministrados en los anclajes de pared (Figura 7).

SECCIÓN 6

Cableado

CUIDADO: TODAS LAS CONEXIONES ELÉCTRICAS DEBEN HACERSE EN CUMPLIMIENTO DE LOS CÓDIGOS Y LAS ORDENANZAS LOCALES O CON EL CÓDIGO ELÉCTRICO NACIONAL. SI USTED NO ESTÁ FAMILIARIZADO CON LOS MÉTODOS DE INSTALACIÓN DEL CABLEADO ELÉCTRICO, ASEGÚRESE DE CONTAR CON LOS SERVICIOS DE UN ELECTRICISTA CALIFICADO.

1. Retire los dos tornillos de la cubierta del compartimento de cables para tener acceso al compartimento de cables (Figura 8). Conecte el cable blanco de la campana extractora con el cable blanco del suministro, y el cable negro de la campana extractora con el cable negro del suministro. Conecte el cable a tierra de la casa (verde o desnudo) al cable a tierra (verde) de la campana. Use métodos aprobados para todas las conexiones (Figura 9).
2. Vuelva a colocar la cubierta del compartimento de cables y ajuste los tornillos. Asegúrese que todos los cables queden contenidos con seguridad dentro del compartimento de cables. Si el conector de cables de conexión rápida fue retirado del receptáculo, vuelva a colocarlo. El conector encajará en un solo sentido dentro del receptáculo (Figura 8).

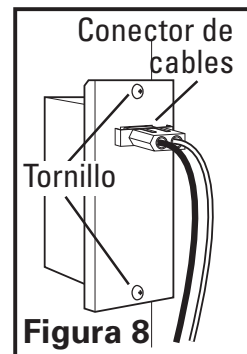


Figura 8

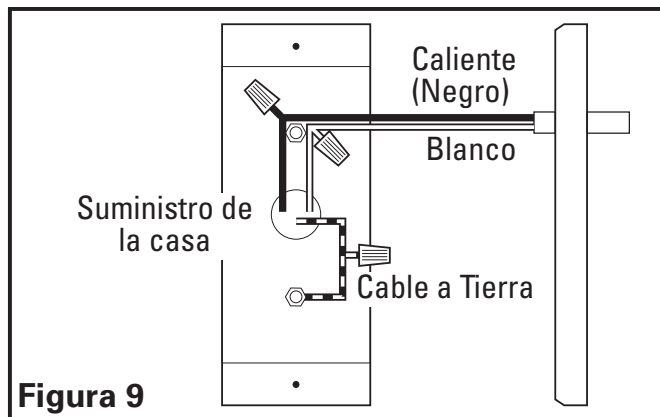


Figura 9

SECCIÓN 7

Instalación de los plafones de alero opcionales

1. Consulte las instrucciones incluidas con el/los plafón/plafones de alero específico(s) que usted haya elegido para la instalación.

SECCIÓN 8

Instalación del soplador

1. Consulte las instrucciones incluidas con el soplador específico que usted haya elegido para la instalación.

SECCIÓN 9

Acabado de la instalación

1. Instale la iluminación adecuada para su unidad específica:

Lámparas Halógenas: Use lámparas PAR20 de 50W como máximo (disponible por separado). Instale insertando la lámpara en el enchufe y girando en el sentido de las agujas del reloj hasta que la lámpara quede firmemente asegurada. NO apriete en exceso.

Lámparas de calor: Use lámparas infrarrojas PAR38 de 175W únicamente (disponible por separado). Instale insertando la lámpara en el enchufe y girando en el sentido de las agujas del reloj hasta que la lámpara quede firmemente asegurada. NO apriete en exceso.

- Si la canaleta para grasa desmontable incluida no está ya instalada dentro de la campana, insértela en el canal interno posterior de la campana. Asegúrese que el lado más alto de la canaleta apunte hacia la parte posterior de la campana (**Figura 10**).

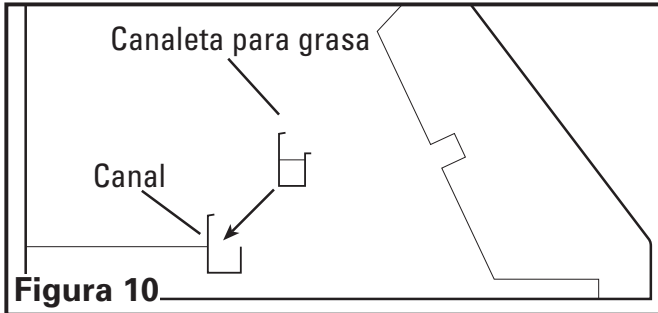


Figura 10

- Instale los filtros deflectores con cualesquiera barras espaciadoras que se requieran insertando la parte superior del filtro dentro del canal superior de la campana, luego deslice la parte inferior del filtro en el canal inferior. En modelos con espaciadores, es más fácil instalar el/los espaciador(es) primero y los filtros de grasa después (**Figura 11**).

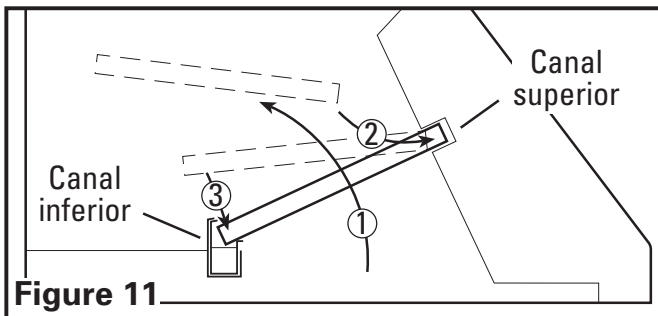


Figure 11

SECCIÓN 10

Operación

Controles

Su Campana Extractora está equipada con dos interruptores rotativos, uno para controlar la luz y el otro para controlar el soplador del ventilador de escape. El interruptor de luz tiene tres posiciones, ALTA (☼), BAJA (☾), y APAGADO (●). El interruptor del ventilador tiene cuatro posiciones, APAGADO (●), ALTA (I), MEDIA (II), y BAJA (III) (**Figura 12**).

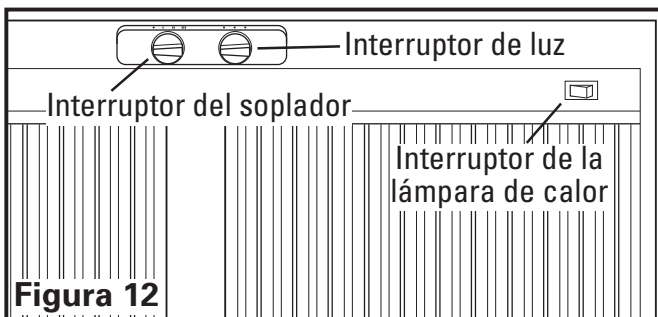


Figura 12

NOTA: En instalaciones donde se utilice un soplador de Una (1) velocidad, todos los controles de velocidad de los sopladores operan a la misma velocidad. En instalaciones donde se utilice un soplador de Dos (2) velocidades, las velocidades media y alta operan a la misma velocidad.

Controles de la Lámpara de Calor: Los modelos equipados con lámparas de calor vienen con dos interruptores oscilantes de Encendido/Apagado ubicados en la parte frontal inferior de la campana para un control independiente de las lámparas de calor (**Figura 12**).

SECCIÓN 11

Mantenimiento

CUIDADO: ASEGÚRESE QUE LA ELECTRICIDAD ESTÉ APAGADA EN UN PANEL DE SERVICIO ANTES DE REPARAR LA UNIDAD.

Deflectores de grasa – Incluidos con su campana extractora, vienen deflectores de grasa junto con una canaleta para grasa que deben ser lavados al menos una vez por mes. Los deflectores y la canaleta son aptos para lavaplatos y deben lavarse con jabón o detergente suaves. Revierta las instrucciones en la **SECCIÓN 9 Acabado de la Instalación**, para retirar los deflectores y la canaleta. Si los deflectores de grasa se dañan, reemplácelos con deflectores de grasa Air King Modelos PHGB1, PHGB2, o PHGB3.

PRECAUCIÓN: DEJE ENFRIAR LA BOMBILLA ANTES DE CAMBIARLA.

Cómo cambiar las lámparas: Desconecte el suministro eléctrico a la unidad y desatornille las lámparas del tomacorriente. Reemplace con lámparas según lo especificado en la **SECCIÓN 9 Acabado de la instalación**.

Limpeza

CUIDADO: NO USE GASOLINA, BENCINA, THINNER, LIMPIADORES DUROS, ETC., YA QUE PUEDEN DAÑAR LA CAMPANA DE EXTRACCIÓN.

- Limpie su campana de extracción con un detergente suave, como el líquido para lavar los platos, y seque con un trapo suave. **NUNCA USE ALMOHADILLAS ABRASIVAS O POLVOS LIMPIADORES.** Seque completamente antes de restaurar el suministro eléctrico. **NUNCA SUMERJA LAS PARTES ELÉCTRICAS EN AGUA.**
- El ensamblado del soplador debe ser limpiado con aspiradora cuando se acumule suciedad (polvo, pelusas, etc.) se acumula con el tiempo. El soplador está permanentemente lubricado y no requiere de aceites.

Guía de Solución de Problemas

Problema	Causa Probable	Solución Sugerida
1. La campana no funciona cuando el interruptor está encendido.	1a. Un fusible puede estar quemado o puede haber un cortocircuito. 1b. El cableado no está correctamente conectado.	1a. Cambie el fusible o reinicie el disyuntor diferencial. 1b. Apague el suministro eléctrico de la unidad. Verifique que todos los cables estén conectados.
2. La campana funciona, pero el aire se mueve más lentamente de lo normal.	2. Obstrucción en la tubería de extracción.	2. Verifique cualquier obstrucción en la tubería incluyendo los filtros.
3. La campana está haciendo un sonido de vibración.	3a. Los filtros están sueltos 3b. La conexión de la tubería está suelta.	3a. Apague el suministro eléctrico a la unidad. Verifique que todos los filtros estén bien colocados. 3b. Apague el suministro eléctrico de la unidad. Verifique que la conexión de la tubería esté ajustada.

GARANTÍA LIMITADA

Todos los productos fabricados por Air King Limited están garantizados por un año desde la fecha de compra contra defectos de fabricación y/o del material. Además, todos los ventiladores de ventilación/extracción, calentadores, luces de combinación de ventiladores y/o calentadores, y campanas de extracción están garantizados por cinco años desde la fecha de compra contra defectos de fabricación y/o del material.

Esta garantía no cubre ningún trabajo ni los costos de envío o el costo de componentes de reemplazo como parte del mantenimiento de rutina tales como: filtros para grasa de campanas de extracción, filtros para carbón o filtros combinados para carbón/grasa; lamparillas de repuesto en campanas de extracción o combinaciones de ventilador/luz/lamparillas para baños. También, cualesquiera daños o fallas causados por abuso, mal uso, uso anormal, instalación defectuosa, o mantenimiento inadecuado no serán cubiertos por esta garantía.

Para hacer un reclamo sobre esta garantía, usted debe ser el consumidor original del producto. Usted deberá presentar a Air King la factura original de la venta mostrando: fecha de compra, lugar de compra y modelo comprado. El hecho de con cumplir con estos requisitos anulará su garantía.

Air King no será responsable por ninguna herida corporal o daños a la propiedad personal o de bienes raíces ya fueren causados directa o indirectamente por el producto. Algunos estados y provincias no permiten la exclusión o limitación de daños incidentales o por consecuencia y algunos estados no permiten limitaciones sobre cuánto tiempo dura una garantía implícita. Entonces, dichas exclusiones o limitaciones pueden no ser aplicables en su caso. Esta garantía le brinda a usted derechos legales específicos y usted puede tener otros derechos que varían de estado a estado y de provincia a provincia.

PARA REPUESTOS O ASISTENCIA TÉCNICA

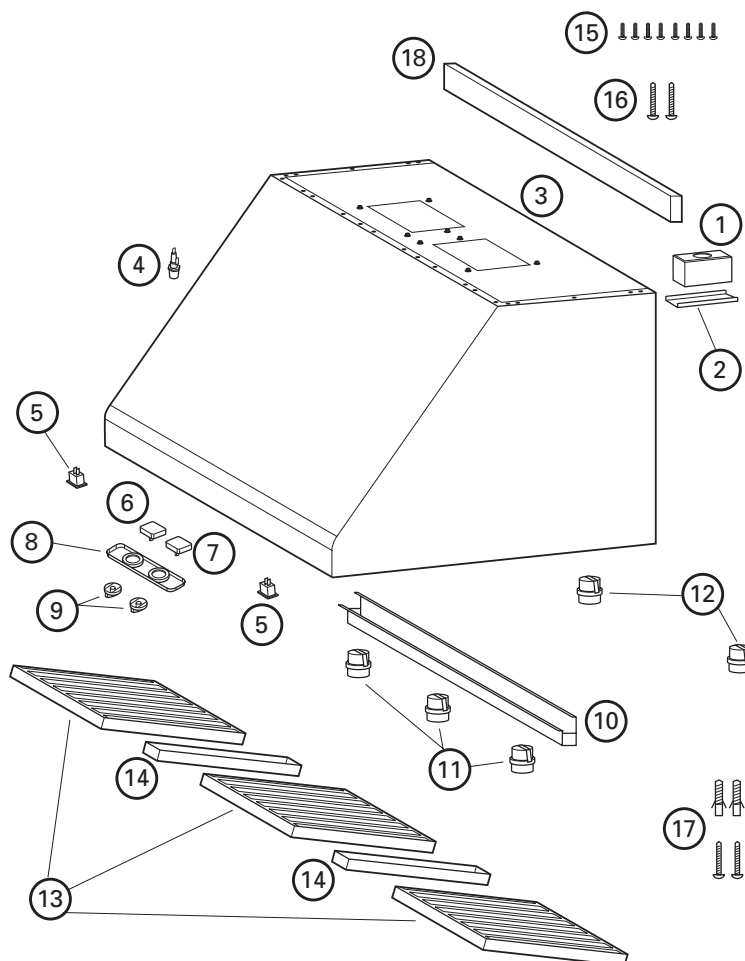
Por favor llame al: 1-800-465-7300, **DE LUNES A VIERNES, ENTRE LAS 8 AM Y LAS 4:00 PM EST.**
POR FAVOR NO DEVUELVAN EL PRODUCTO AL LUGAR DE COMPRA.

Haga referencia al tipo y estilo de producto (ubicados en la etiqueta dentro del producto) cuando llame.
Para más información por favor visite nuestro sitio web: www.airkinglimited.com

#	Qty.	Descripción	Número de Repuesto
1	1	Caja de cables	5S1136064
2	1	Cubierta de caja de cables	5S1136065
3	1	Bóveda	5S1136067
4	1	Fusible	5S1136068
5	2*	Interruptor de la lámpara de calor	5S1136069
6	1	Interruptor rotativo del ventilador	5S1136070
7	1	Interruptor rotativo de la luz	5S1136071
8	1	Placa del Interruptor	5S1136072
9	2	Perillas	5S1136073
10	1	Canaleta para grasa - 762 mm	5S1136074
		Canaleta para grasa - 914,4 mm	5S1136089
		Canaleta para grasa - 1066,8 mm	5S1136090
		Canaleta para grasa - 1219,2 mm	5S1136091
11	**	Portalámparas de la lámpara halógena	5S1136075
12	1*	Portalámparas de la lámpara de calor	5S1136076
13	**	Filtro deflector - PHGB1	5S1136077
		Filtro deflector - PHGB2	5S1136078
		Filtro deflector - PHGB3	5S1136079
14	**	Espaciador del filtro - Series 762 mm	5S1136080
		Espaciador del filtro - Series 1219,2 mm	5S1136081
15	**	Tornillo de 19,05 mm	5S1136086
16	**	Tornillo de madera de 50,80 mm	5S1136087
17	**	Tornillo N° 8 c/Anclaje de pared	5S1136088
18	1	Listón de madera para montaje	5S1136084

* Modelos con lámparas de calor únicamente

** La cantidad varía dependiendo del modelo específico



Instalador: _____ Fecha de Instalación: _____

Lugar de Compra: _____ Número de Modelo: _____

NOTES / NOTAS