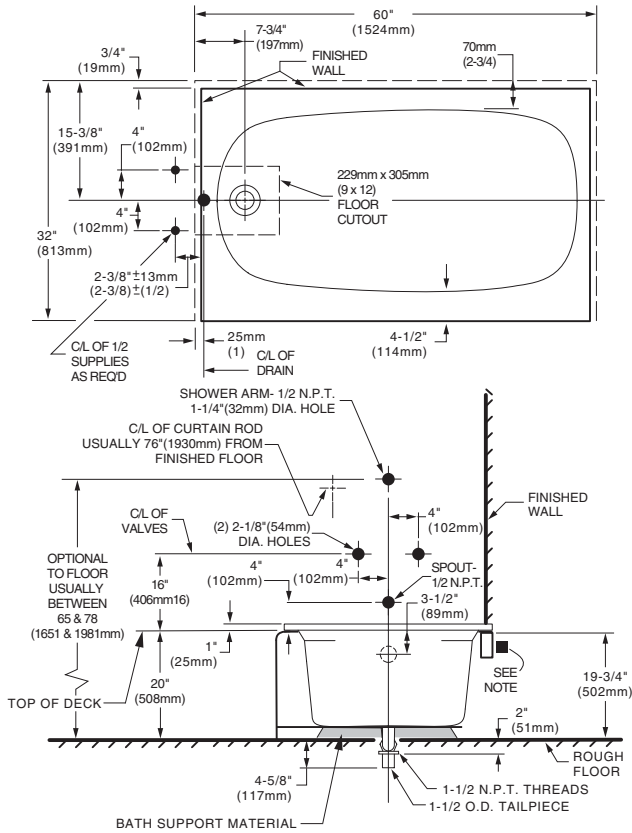


INSTALLATION INSTRUCTIONS



GENERAL SPECIFICATIONS FOR 2083 BATHING POOL	
INSTALLED SIZE	60 x 32 x 20 In. (1524 x 813 x 508mm)
WEIGHT	100 Lbs. (45 Kg.)
WEIGHT w/WATER	551 Lbs. (250 Kg.)
GAL. TO OVERFLOW	54 Gal. (204 L)
BATHING WELL AT SUMP	18 x 42 In. (457 x 1067mm)
BATHING WELL AT RIM	25 X 54 In. (635 x 1372mm)
WATER DEPTH TO OVERFLOW	14 In. (356mm)
FLOOR LOADING (PROJECTED AREA)	41 Lbs./Sq.Ft. (202 Kgs./Sq.m)
PTS.	20.8
CUBE (FT ³)	35.3

GENERAL INSTALLATION INFORMATION

BATH MAY ONLY BE INSTALLED IN A RECESS TYPE INSTALLATION.

Locate studs as required. Insure rough dimensions are proper, plumb, and square. The following procedure must be used for all installations: Leveling support stringer should be as indicated. This bath is not self-supporting and must be supported along it's entire bottom. Support with mortar or grout.

Position bathtub within the recess, check level front to back and side to side, shim as necessary. To secure the tub to wood studs, use drywall screws with flatwashers or roofing nails immediately above the flange of the bath. To secure the tub to steel studs, use 4" drywall screws and flatwashers.

SEE PAGE 2 FOR COMPLETE INSTALLATION INFORMATION.

CAUTION: TAKE EXTRA CARE WHEN DRIVING NAILS OR SCREWS TO AVOID DAMAGING THE BATH.

The tile or similar finished floor will be butted against the bottom of the tub apron, also holding the tub in place.

THANK YOU...

for selecting an American Standard bath. Your new bath is shipped to you after careful inspection. All you need to finish the installation are your selected fittings.

To insure maximum performance and pleasure from this product, please follow the instructions and cautions.

List of Optional Components (not included):

- Standard Bath Caddie 9533.100*

* see your American Standard Distributor

List of Required Components (not included):

- Standard Bath Drain 1501.170*
- Bath Filler*

* see your American Standard Distributor

List of Required Tools and Supplies:

Tools

- Level
- Tape Measure
- Pipe Wrench
- Slip Joint Pliers
- Screw Driver
- Standard Woodworking Tools
- Personal Safety Equipment
- Caulking Gun

Supplies

- Nails
- Putty
- Caulk (waterproof)
- 1 x 3 or 2 x 4 Stringers
- Drop Cloth
- Mortar Mix or Grout

FOR AFTER-SALES SERVICE CALL 1 (800) 442-1902 WEEKDAYS.

INSTALLATION AND FRAMING INSTRUCTIONS

Locate studs as required. Insure roughing-in dimensions are proper, plumb, and square. It is strongly recommended that an additional opening be provided for access to the drain components.

1. As shown in Fig. 1, mark the position of the underside of the deck by tracing a line onto the studs at the height indicated, using a level or other suitable straight edge.
2. With the top of the stringer touching the traced line, attach the stringer to the studs.
3. Install drain components to the bath following the manufacturer's instructions. See the roughing-in drawing for suggested opening size and location dimensions.
4. **THIS BATH MUST BE SUPPORTED ALONG ITS ENTIRE BOTTOM.** We recommend the use of mortar as bedding material (sand is not recommended). Apply enough bedding to support the complete bottom of the bath. After the bedding has been poured, and before it sets, position the bath within the recess until the rim is leveled against the leveling stringers (see "Typical Recess Installation") shown below. The rim of the bath **MUST NOT** support weight. Allow the bedding material to completely harden before applying weight to the rim or bottom of the bath. Any finish material such as tile or wallboard must be self-supporting if it contacts the deck of the bath.

DRAIN CONNECTION

Using recommended drain opening, connect bath drain to waste line. Tighten all drain joints securely.

POST INSTALLATION CLEAN-UP

Remove all construction debris from bath. Tile grout can be removed with a wooden popsicle stick or tongue depressor. Do not use wire brushes or any other metal implement on bath surface.

Post installation clean-up generally can be completed using warm water and liquid dishwashing detergent. Stubborn dirt or stains may be removed using granular Spic and Span[®] mixed with water.

Painter's naphtha can be used to remove excess adhesives and/or wet oil-base paint.

FEATURES of YOUR NEW AMERICAN STANDARD ACRYLIC BATHTUB

Your new acrylic bathtub has been molded in the newest plumbing fixture material available today. Acrylics are tough durable finishes that are simple and easy to care for. The colors have been formulated to match other American-Standard fixtures and enhance your choice of bathroom decorations. The high gloss surface is resistant to impact and chemicals and will retain its lasting luster with proper care and maintenance.

AFTERCARE and CLEANING

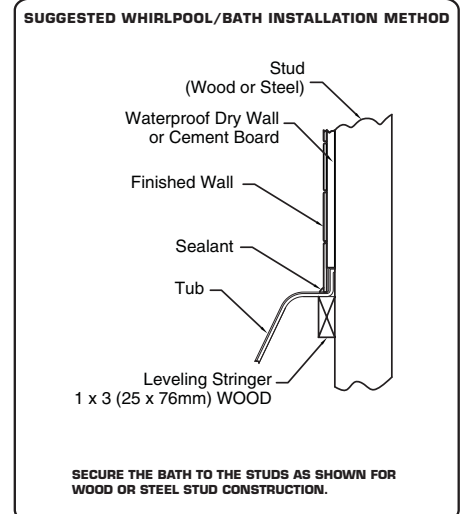
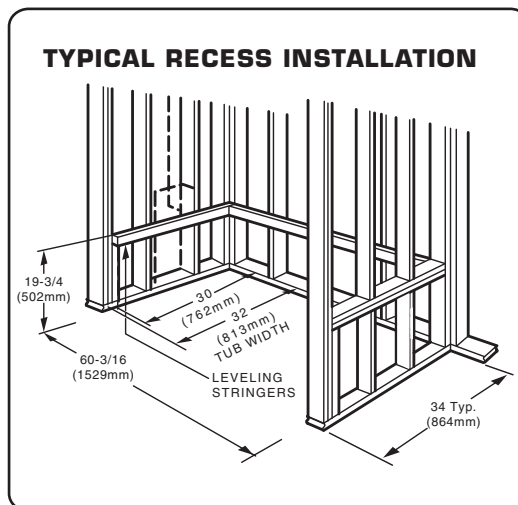
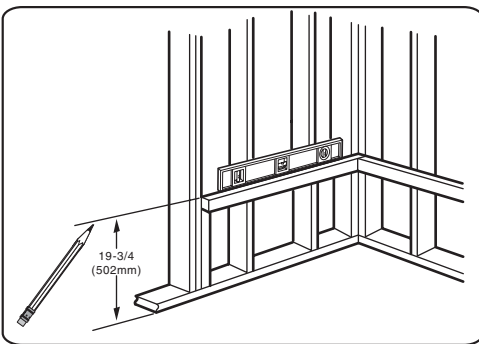
- Always fill the tub with temperate water. Excessively hot water may cause surface damage
- Remove bath mat after use and hang to dry. Allowing bath mat to dry in the tub may cause surface damage.
- Clean after use with a mild liquid household detergent cleaner. Do not use Lestoil, Lysol Disinfectant (spray or concentrate), or Lysol Basin, Tub and Tile Cleaner, Windex, Mr. Clean, Dow Disinfectant Bathroom Cleaner, or cleaning products in aerosol cans.

HARSH CHEMICALS SHOULD NEVER BE USED ON ACRYLIC SURFACES.

- Do not use wire brushes, knives or sharp objects to remove stains, cigarette tar deposits, or other surface blemishes.
- Abrasive cleaners or powders must not be used, since they will dull the surface. If the glossy surface loses its sheen, dulled areas can be restored by rubbing with a white "automotive type" polishing compound and waxing with a "liquid wax."
- **Do not wax areas where you walk or stand.**
- Do not allow nail polish remover, acetone, dry cleaning fluid, paint remover or other solvents to come into contact with the surface.
- Clean the surrounding surface immediately after using caustic drain cleaners.
- Burning cigarettes will damage the surface.
- Should damage to the fixture occur, repairs can be made quickly and easily. Your distributor or builder can provide details.

SUGGESTED BATH INSTALLATION METHOD

FIG. 1



SPIC AND SPAN[®] IS A REGISTERED TRADEMARK OF PROCTER & GAMBLE