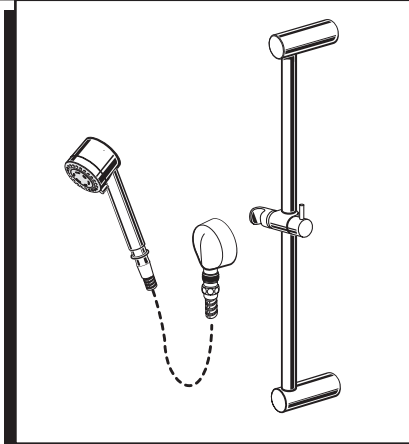


### SERIN™ SHOWER SYSTEM

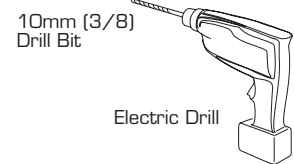
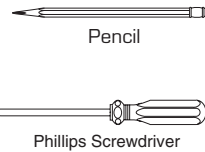
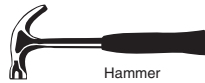
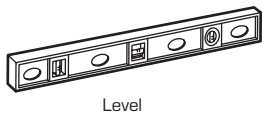
Thank you for selecting American-Standard...the benchmark of fine quality for over 100 years.

To ensure that your installation proceeds smoothly—please read these instructions carefully before you begin.

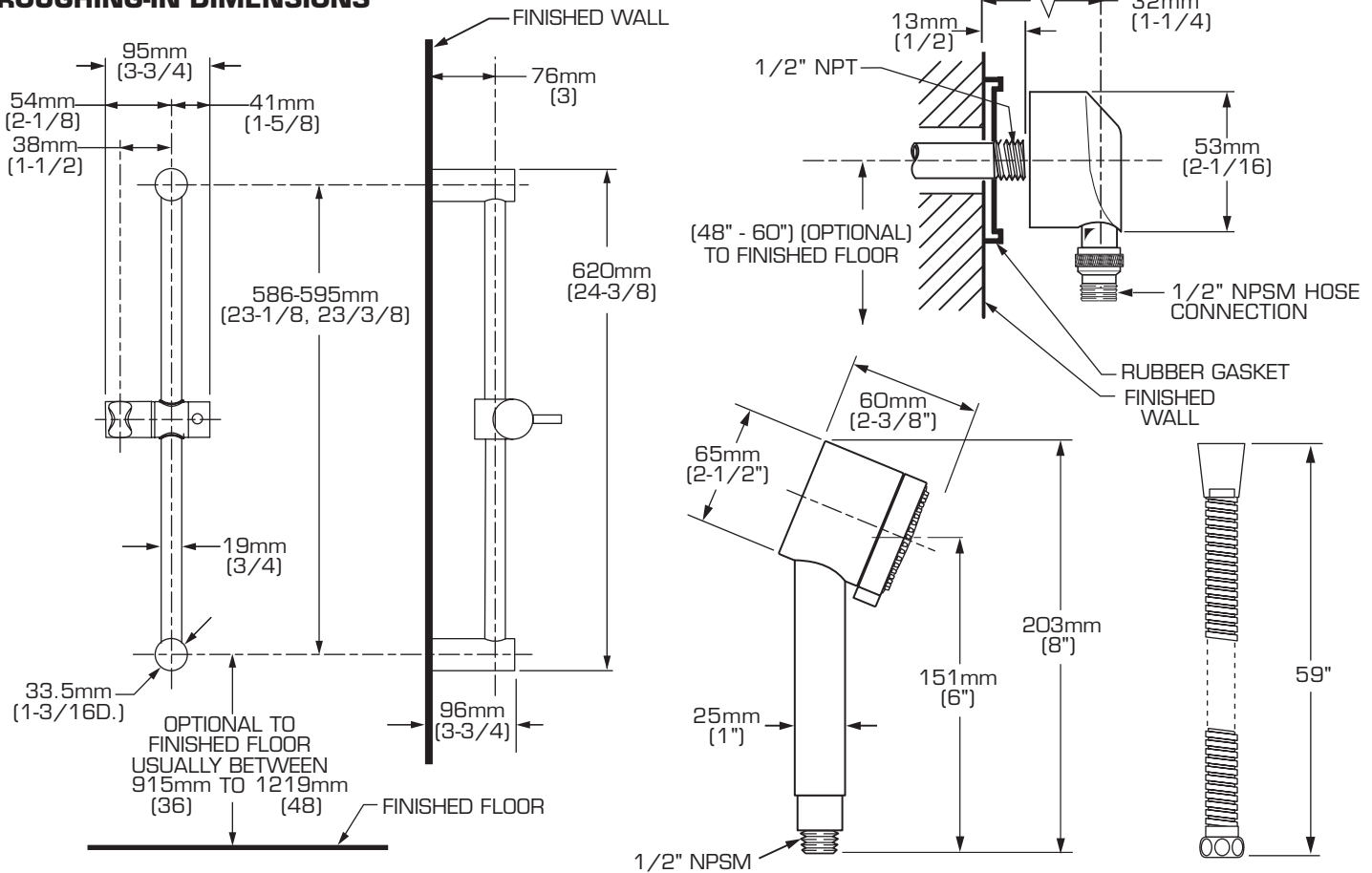
Certified to comply with ANSI A112.18.1  
M968927 Rev.1.3



### Recommended Tools & Materials



### ROUGHING-IN DIMENSIONS

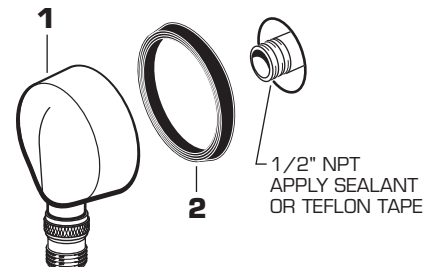


## 1 INSTALL WALL SUPPLY

### CAUTION

Turn off hot and cold water supplies before beginning.

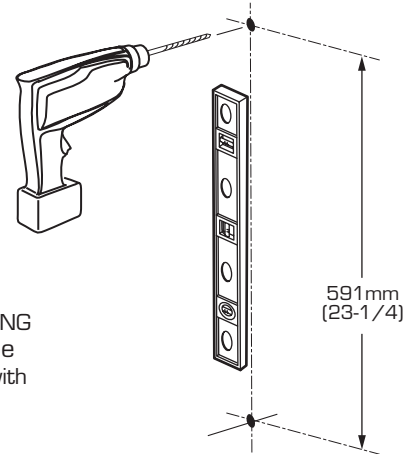
- Supply to WALL SUPPLY **(1)** is 1/2" NPT. See rough-in above for detailed information.
- Install RUBBER SEAL **(2)** onto WALL SUPPLY **(1)**.
- Apply sealant or teflon tape to threads of 1/2" NPT supply nipple. Thread WALL SUPPLY **(1)** onto supply nipple making a water tight seal. WALL SUPPLY **(1)** with RUBBER SEAL **(2)** should be tight against finished wall.



## 2

### INSTALL WALL BRACKETS

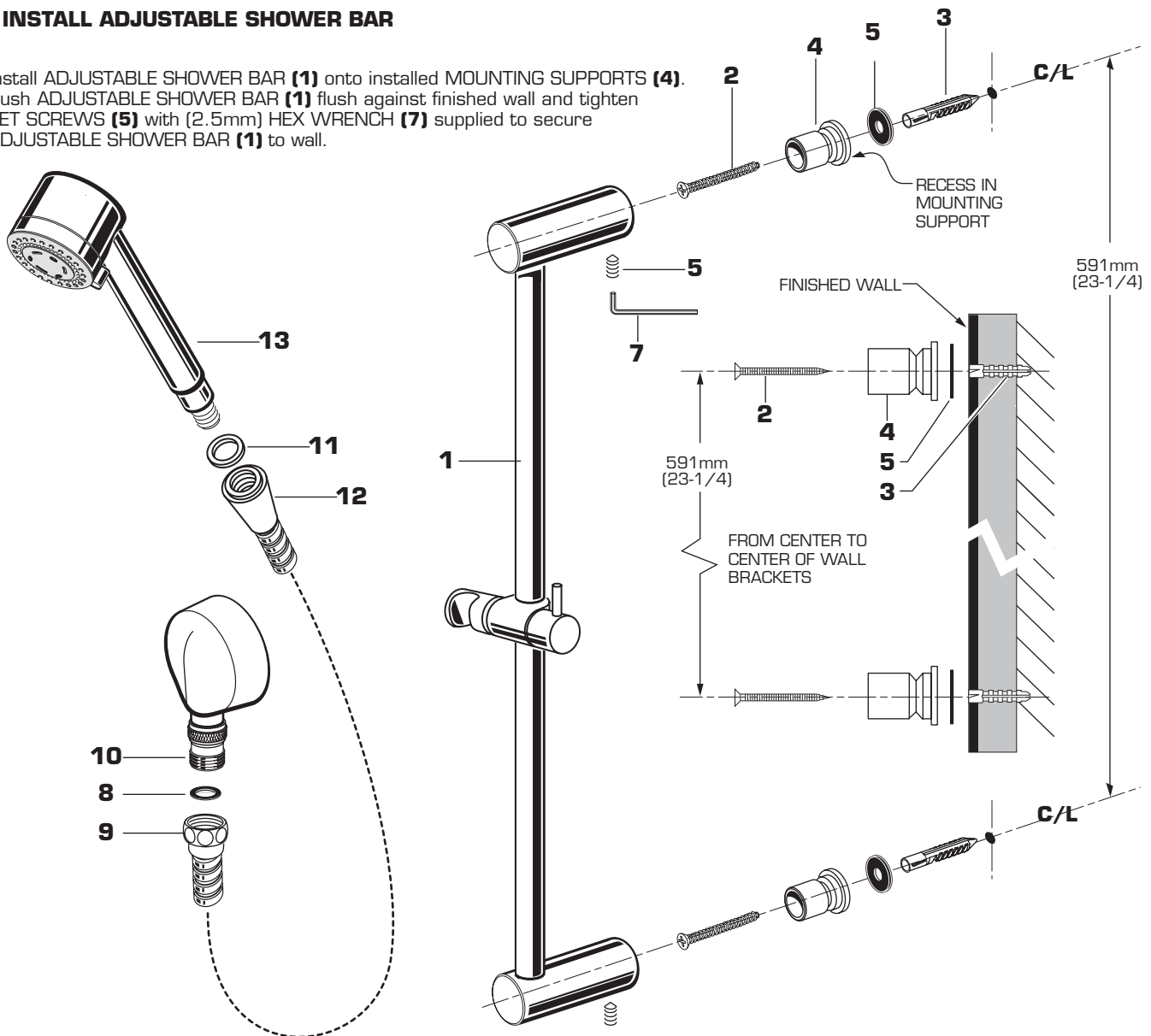
- The ADJUSTABLE SHOWER BAR (1) works best if secured to a wall stud or cross brace within the wall, using the SCREWS (2) supplied.
- If the ADJUSTABLE SHOWER BAR (1) is to be installed on a tile the ANCHORS (3) and SCREWS (2) should be used.
- Determine desired height and location (optional) and mark a center line. If MOUNTING SUPPORT (4) is secured to a stud or cross brace drill small pilot holes for SCREWS (2). IMPORTANT: Make sure that vertical center line is level.
- *For installations on tiled walls:* Use ANCHORS (3) and SCREWS (2) for securing MOUNTING SUPPORT (4) to finished wall. The diameter and depth of the mounting hole should be 10mm (3/8") dia. and 50mm (2") deep. Insert the the ANCHORS (3) and tap them with hammer until flush with face of finished wall.
- Install RUBBER WASHER (5) in recess of MOUNTING SUPPORT (4). Secure MOUNTING SUPPORT (4) to wall with SCREWS (2).



## 3

### INSTALL ADJUSTABLE SHOWER BAR

- Install ADJUSTABLE SHOWER BAR (1) onto installed MOUNTING SUPPORTS (4). Push ADJUSTABLE SHOWER BAR (1) flush against finished wall and tighten SET SCREWS (5) with (2.5mm) HEX WRENCH (7) supplied to secure ADJUSTABLE SHOWER BAR (1) to wall.



## 4

### INSTALL HOSE AND HAND SHOWER

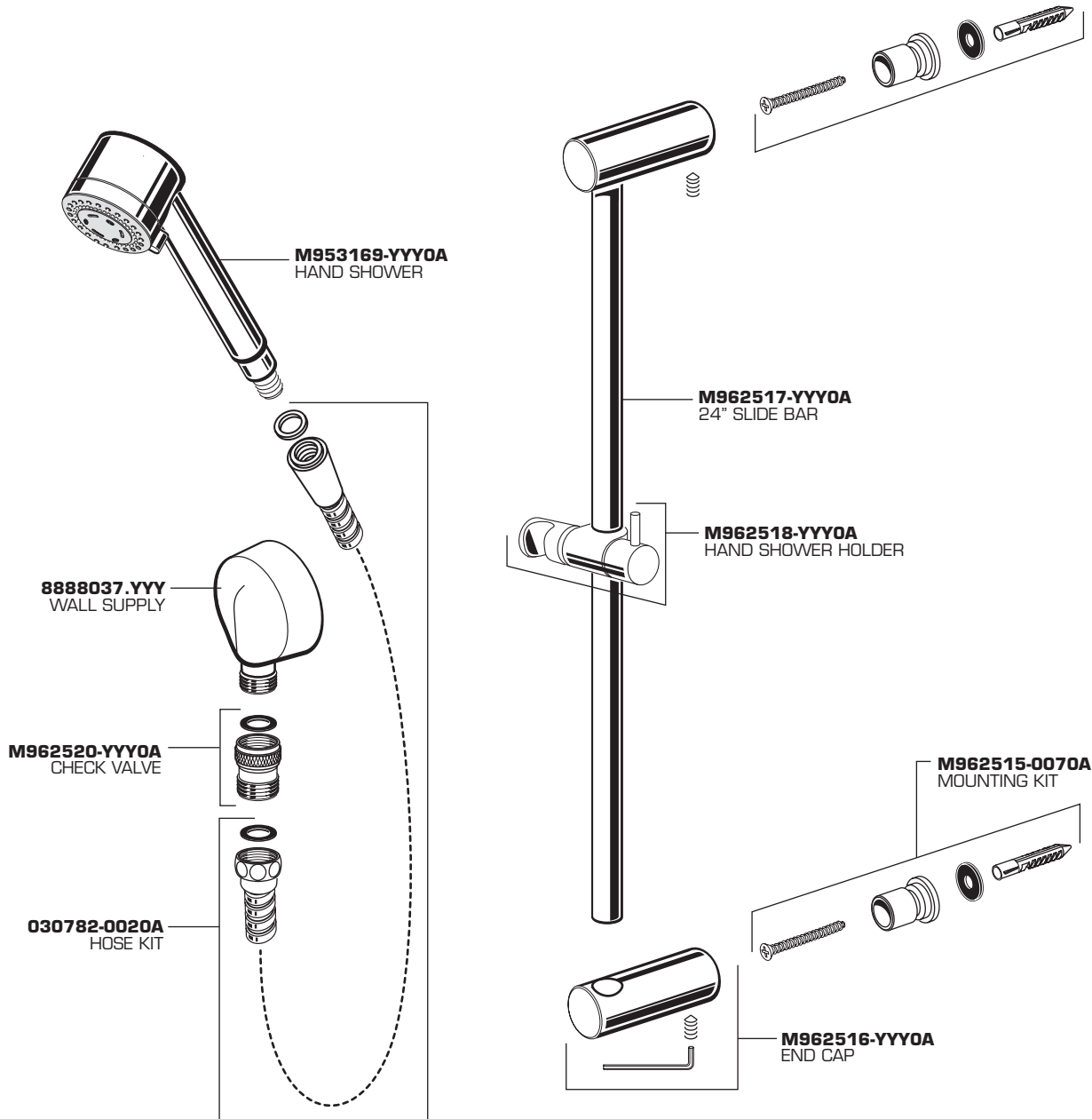
- Install SEAL (8) into COUPLING NUT (9). Connect COUPLING NUT (9) to WALL SUPPLY NIPPLE (10) and tighten.
- INSTALL second SEAL (11) into SPRAY HOSE END (12) and connect HAND SHOWER (13) to SPRAY HOSE END (12). Hand tighten.

American Standard

**SERIN™  
SHOWER BAR**

MODEL NUMBER

**2064.724**



Replace the "YYY" with appropriate finish code

CHROME	002
STAINLESS STEEL	075
SATIN NICKEL	295



**HOT LINE FOR HELP**  
For toll-free information and answers to your questions, call:  
1-800-442-1902  
Weekdays 8:00 a.m. to 6:00 p.m. EST  
IN MEXICO 01-800-839-12-00  
IN CANADA 1-800-387-0369 (TORONTO 1-905-306-1093)  
Weekdays 8:00 a.m. to 7:00 p.m. EST

Product names listed herein are trademarks of American Standard Inc.  
© American Standard Inc. 2006

**CARE INSTRUCTIONS:**

**DO:** SIMPLY RINSE THE PRODUCT CLEAN WITH CLEAR WATER. DRY WITH A SOFT COTTON FLANNEL CLOTH.

**DO NOT:** DO NOT CLEAN THE PRODUCT WITH SOAPS, ACID, POLISH, ABRASIVES, HARSH CLEANERS, OR A CLOTH WITH A COARSE SURFACE.