

# INSTALLATION INSTRUCTIONS

## For Two-Piece Toilets with Aquameter™ Fill Valve

REPertoire 2266/2483

HERITAGE 2176

ANTIQUITY 2264/2464

WILLIAMSBURG 2264.702

Thank you for selecting American Standard - the benchmark of fine quality for over 100 years. To ensure this product is installed properly, please read these instructions carefully before you begin. (Certain installations may require professional help.) Also be sure your installation conforms to local codes

**⚠ CAUTION: PRODUCT IS FRAGILE. TO AVOID BREAKAGE AND POSSIBLE INJURY HANDLE WITH CARE!**

NOTE: Pictures may not exactly define contour of china and components.

### RECOMMENDED TOOLS AND MATERIALS

Putty Knife	Regular Screwdriver	Adjustable Wrench	Sealant	Tape Measure
Hacksaw	Wax Ring/Gasket	Flexible Supply Tube	Closet Bolts	Carpenters Level

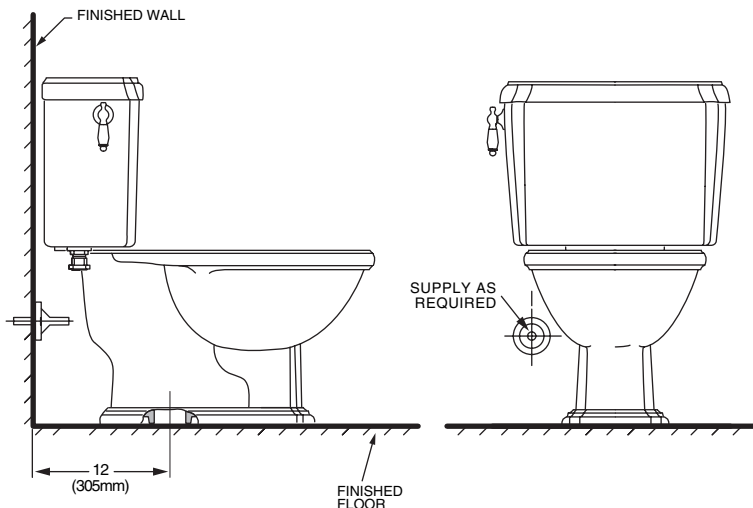
#### 1 REMOVE OLD TOILET

- Close toilet supply valve and flush tank completely. Towel or sponge remaining water from tank and bowl.
- Disconnect and remove supply line. NOTE: *If replacing valve, first shut off main water supply!*
- Remove old mounting hardware, remove toilet and plug floor waste opening to prevent escaping sewer gases.
- Remove closet bolts from flange and clean away old wax, putty, etc. from base area.

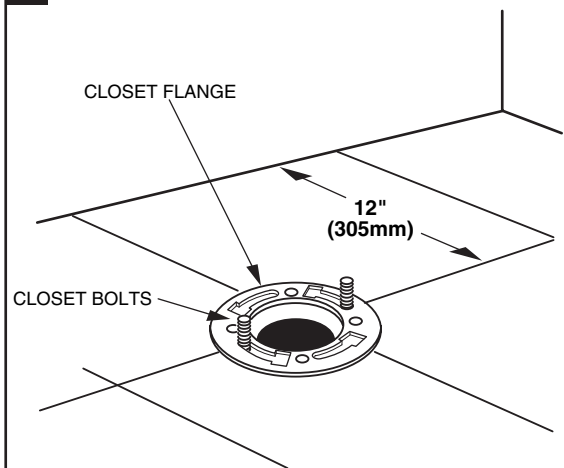
NOTE: *Mounting surface must be clean and level before new toilet is installed!*

#### 2 ROUGHING-IN DIMENSIONS:

NOTE: *Distance from wall to closet flange centerline must be as listed below:*



#### 3



#### INSTALL CLOSET BOLTS

Install closet bolts in flange channel, turn 90°, and slide into place 6" (152 mm) apart and parallel to wall.

*American Standard*

*Ideal Standard*

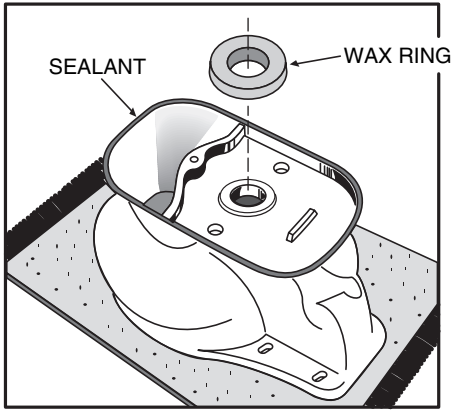
*Incesa Standard*

*Sadona Standard*

*Cedelca*

**Saniwares**

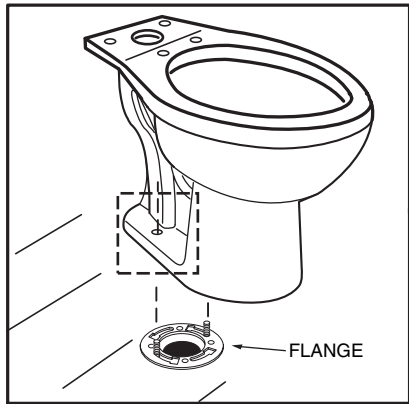
4



### INSTALL WAX SEAL

Invert toilet on floor (cushion to prevent damage), and install wax ring evenly around waste flange (horn), with tapered end of ring facing toilet. Apply a thin bead of sealant around base flange.

5



### POSITION TOILET ON FLANGE

- Unplug floor waste opening and install toilet on closet flange so bolts project through mounting holes.
- Loosely install mounting clip (for Heritage only), retainer washers and nuts. Side of washers marked "THIS SIDE UP" *must* face up!
- Position toilet squarely to wall and, with a rocking motion, press bowl down fully on wax ring and flange. Alternately tighten nuts until toilet is firmly seated on floor.

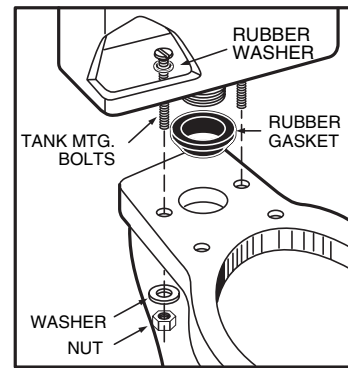


#### CAUTION:

DO NOT OVERTIGHTEN NUTS OR BASE MAY BE DAMAGED!

- Install covers on washers. (If necessary, cut bolt height to size before installing caps.)
- Smooth off the bead of sealant around base. Remove excess sealant.

6



### INSTALL TANK

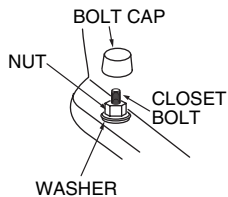
- Install large rubber gasket over threaded outlet on bottom of tank and lower tank onto bowl so that tapered end of gasket fits evenly into bowl water inlet opening.
- Insert tank mounting bolts and rubber washers from inside tank, through mounting holes, and secure with metal washers and nuts.
- With tank parallel to wall, alternately tighten nuts until tank is snugged down evenly against bowl surface.



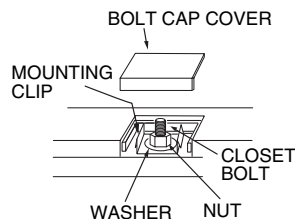
#### CAUTION:

DO NOT OVERTIGHTEN NUTS MORE THAN REQUIRED FOR A SNUG FIT!

#### REPertoire, ANTIQUITY, & WILLIAMSBURG



#### HERITAGE



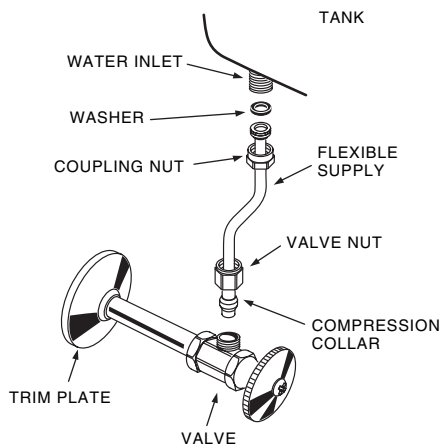
7

### INSTALL TOILET SEAT

Install toilet seat in accordance with manufacturer's directions.

8

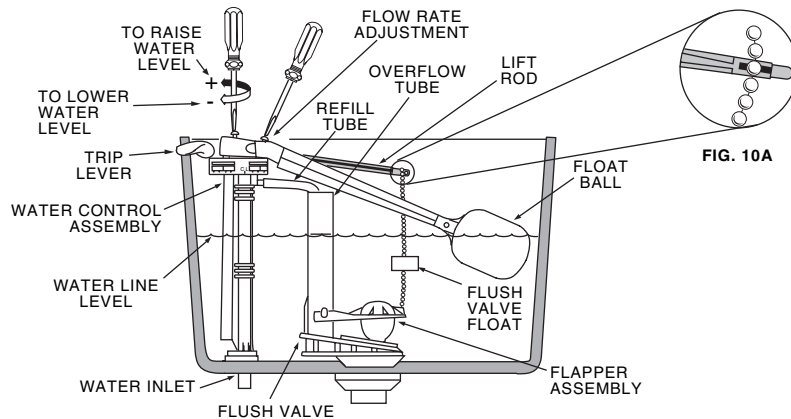
**CAUTION: Overtightening of COUPLING NUT could result in breakage and potential flooding.**



#### CONNECT WATER SUPPLY

- Connect water supply line between shutoff valve and tank water inlet fitting. Tighten COUPLING NUT 1/4 turn beyond hand tight. Check that refill tube is inserted into overflow tube.
- Turn on supply valve and allow tank to fill until float rises to shutoff position.
- Check for leakage at fittings, tighten or correct as needed.
- Do not use plumber's putty to seal these fittings.

9



#### ADJUSTMENTS

- Flush tank and check that tank fills and shuts off within 30 to 60 seconds, and tank water level is set as specified on tank rear wall.
- To adjust water level: turn water level adjustment screw counterclockwise to raise level; turn adjustment screw clockwise to lower level.
- To adjust flow rate (tank fill time): turn flow rate adjustment screw clockwise to decrease flow rate (increase fill time); turn adjustment screw counterclockwise to increase flow rate (decrease fill time).
- Carefully position tank cover on tank.
- The flush valve float has been factory set and does not require adjustments. Repositioning of the float will change the amount of water used which may effect the toilet's performance.
- If bowl fails to siphon, an adjustment may be required with the lift chain. Simply remove the bead chain from the retainment clip (see Fig. 10A) and take up slack on the chain, and reinsert on lift rod. Make sure the chain is not too taught.

**REPAIR PARTS LIST** Repair parts are determined by toilet tank number which can be found marked inside tank.

**NOTE:** "XXX" represents color or trim finish options. Specify when ordering.

#### FOR 4094 ANTIQUITY, 4095 REPERTOIRE, AND 4094.702 WILLIAMSBURG

PART NO.	DESCRIPTION
730288-XXX0A	TRIP LEVER
730535-XXX0A	TRIP LEVER (WILLIAMSBURG ONLY)
034783-XXX0A	BOLT CAP KIT (INCL 2 COVERS & WASHERS)
738462-0070A	WATER CONTROL ASS'y W FLOAT BALL
738181-0070A	FLUSH VALVE
047158-0070A	COUPLING KIT, BOWL-TO-TANK
738258 -0070A	FLAPPER ASSEMBLY

#### FOR 4074.039 HERITAGE

PART NO.	DESCRIPTION
730283-XXX0A	TRIP LEVER
047227-XXX0A	BOLT CAP COVER PLATE KIT #207
738352-0070A	WATER CONTROL ASS'y W FLOAT BALL
738181-0070A	FLUSH VALVE
047158-0070A	COUPLING KIT, BOWL-TO-TANK
738258 -0070A	FLAPPER ASSEMBLY

#### 11 CARE AND CLEANING

When cleaning your toilet, wash it with mild, soapy water, rinse thoroughly with clear water and dry with a soft cloth. Avoid detergents, disinfectants, or cleaning products in aerosol cans. NEVER use abrasive scouring powders or abrasive pads on your toilet seat. Some bathroom chemicals and cosmetics may damage the seat's finish.

**WARNING:** Do not use in-tank cleaners. Products containing chlorine (calcium hypochlorite) can seriously damage fittings in the tank. This damage can cause leakage and property damage.  
**American Standard shall not be responsible or liable for any tank fitting damage caused by the use of cleaners containing chlorine (calcium hypochlorite).**

## TROUBLESHOOTING GUIDE

PROBLEM	POSSIBLE CAUSE	CORRECTIVE ACTION
Does not flush	<ul style="list-style-type: none"> <li>a. Water supply valve closed.</li> <li>b. Supply line blocked.</li> <li>c. Flush valve chain too loose or disconnected.</li> <li>d. Stuck float/float rod.</li> <li>e. Water control flow rate too restricted.</li> </ul>	<ul style="list-style-type: none"> <li>a. Open valve and allow water to fill tank.</li> <li>b. Shut off water supply, disconnect supply line, and inspect all gaskets and washers. Reassemble.</li> <li>c. Readjust chain length as required.</li> <li>d. Adjust to allow free downward movement of float arm.</li> <li>e. Follow instructions to increase water control flow rate.</li> </ul>
Poor or sluggish flush	<ul style="list-style-type: none"> <li>a. Tank water level too low.</li> <li>b. Bowl water level too low.</li> <li>c. Supply valve partly closed.</li> <li>d. Flush valve closes early due to high supply pressure.</li> <li>e. Partially clogged trapway and/or drain pipe and/or vent.</li> <li>f. Supply pressure too low.</li> </ul>	<ul style="list-style-type: none"> <li>a. Follow instructions to adjust water level.</li> <li>b. Check that refill tube is connected to water control and inserted into tank overflow without being kinked or damaged.</li> <li>c. Open supply valve fully. Be sure that proper supply tube size is used.</li> <li>d. Follow instructions to reduce water control flow rate.</li> <li>e. Remove obstruction. Consult a plumber if necessary.</li> <li>f. Normal supply pressure must be at least 20 psi.</li> </ul>
Toilet leaks	<ul style="list-style-type: none"> <li>a. Poor supply line connection.</li> <li>b. Poor bowl to tank/floor connection.</li> </ul>	<ul style="list-style-type: none"> <li>a. Review Step 9 of installation procedure.</li> <li>b. Review Step 4 through 7 of installation procedure.</li> </ul>
Toilet does not shut off	<ul style="list-style-type: none"> <li>a. Tank water level too high.</li> <li>b. Float rod or float ball depressed by tank cover.</li> <li>c. Flush valve chain too tight, holding flush valve open.</li> <li>d. Float rod interfering with flush valve closing.</li> <li>e. Flush valve seat and/or flapper worn or deformed.</li> <li>f. Sand or debris lodged in water control.</li> </ul>	<ul style="list-style-type: none"> <li>a. Follow instructions to adjust water level.</li> <li>b. Readjust float rod.</li> <li>c. Readjust chain length as needed.</li> <li>d. Follow installation instructions to reduce water control flow rate, which will lift lowest position of float rod without affecting water level.</li> <li>e. Replace flapper/flush valve assembly, as needed.</li> <li>f. Shut off water supply. Consult a plumber, if necessary.</li> </ul>
Noisy Flush	<ul style="list-style-type: none"> <li>a. Water control flow rate too restricted.</li> </ul>	<ul style="list-style-type: none"> <li>a. Follow instructions to increase water control flow rate.</li> </ul>

### AMERICAN-STANDARD ONE-YEAR LIMITED WARRANTY

If inspection of this American-Standard plumbing product, within one year after its initial installation, confirms that it is defective in materials or workmanship, American-Standard will repair or, at its option, exchange the product for a similar model.

This warranty **does not apply** to local building code compliance. Since local building codes vary considerably, the purchaser of this product should check with a local building or plumbing contractor to insure local code compliance before installation.

This warranty **shall be void** if the product has been moved from its initial place of installation; if it has been subjected to faulty maintenance, abuse, misuse, accident or other damage; if it was not installed in accordance with American-Standard's instructions; or if it has been modified in a manner inconsistent with the product as shipped by American-Standard.

American-Standard's option to repair or exchange the product under this warranty does not cover any labor or other costs of removal or installation, **nor shall American-Standard be responsible for any other incidental or consequential damages attributable to a product defect or to the repair or exchange of a defective product, all of which are expressly excluded from this warranty.** (Some states or provinces do not allow the exclusion or limitation of implied warranties, so this exclusion may not apply to you.)

This warranty gives you specific legal rights. You may have other statutory rights that vary from state to state or from province to province, in which case this warranty does not affect such statutory rights.

For service under this warranty, it is suggested that a claim be made through the contractor or dealer from or through whom the product was purchased, or that a service request (including a description of the product model and of the defect) be sent to the following address:

**In the United States:**

American Standard Inc.

P.O. Box 6820

Piscataway, New Jersey 08855

Attention: Director of Consumer Affairs

For residents of the United States, warranty information may also be obtained by calling the following toll free number: (800) 442-1902

**[www.AmericanStandard-US.com](http://www.AmericanStandard-US.com)**

**In Canada:**

American Standard

2480 Stanfield Rd.

Mississauga, Ontario

Canada L4Y 1S2

Toll Free: (800) 387-0369

**[www.AmericanStandard.ca](http://www.AmericanStandard.ca)**

**In Mexico:**

Customer Service Manager

Ideal Standard, S.A. de C.V.

Via Morelos #330

Col. Santa Clara

Ecatepec 55540 Edo. Mexico

**[www.AmericanStandard.com.mx](http://www.AmericanStandard.com.mx)**