

*American Standard*

# TOWN SQUARE™ ACCESSORIES

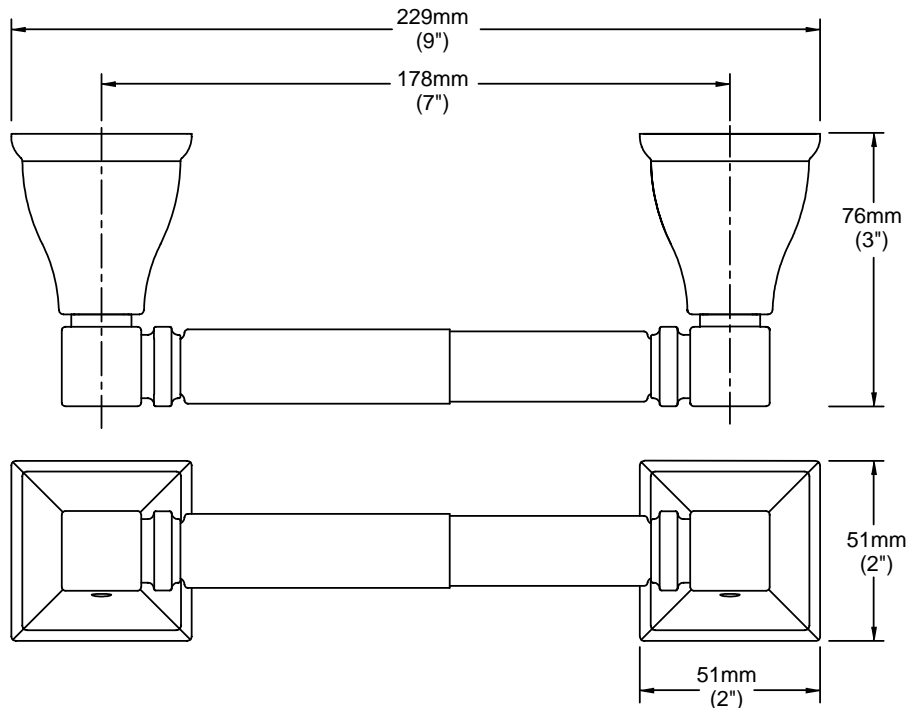
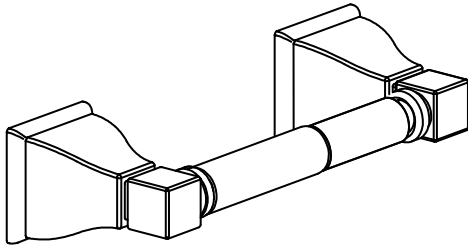
## TOILET TISSUE HOLDER

### MODEL NUMBER:

☐ 2555.061 Toilet Tissue Holder

### Available Finishes

.002	Polished Chrome
.099	PVD Polished Brass
.295	PVD Satin



### PRODUCT FEATURES:

**Heavy duty construction:** Highest quality materials for durability & long life.

#### Concealed Mounting

**Materials of Construction:** Toilet tissue holder tube - brass.  
Body and escutcheon - brass.

#### Easy to Install

**Choice of Finishes:** To match Chrome, PVD Brass and PVD Satin finishes. PVD finish on all Polished Brass and Satin components will never tarnish.

### SUGGESTED SPECIFICATION:

Toilet Tissue Holder shall feature heavy - duty construction with tarnish - free PVD finish on all Polished Brass and Satin components. Shall feature concealed mounting. Toilet Tissue Holder tube shall be brass. Toilet Tissue Holder shall be American Standard Model # 2555.061.\_\_\_\_.