

**COLONY™ 5' x 30" WHIRLPOOL AND
BATHING POOL with INTEGRAL APRON**

- 2740.118 Whirlpool, Right Hand Outlet
- 2740.218 Whirlpool, Left Hand Outlet

Product Features:

- High Gloss Acrylic with fiberglass reinforcement
- Integral apron with removable access panel
- Integral three-sided, tiling/water retention flange
- Integral lumbar support
- Molded-in arm rests with elbow supports
- Above floor rough
- 1.25 HP single speed, self-draining pump/motor
- Six multi-direction jets
- One air volume control
- Deck mounted air switch On/Off control
- Factory installed and tested whirlpool system

EverClean® Whirlpool featuring System I

- 2740.218C Whirlpool featuring System I, Left Hand Outlet
- 2740.118C Whirlpool featuring System I, Right Hand Outlet
 - Same as above except with the EverClean System
- 2740.102 Bath only, Right Hand Outlet
- 2740.202 Bath only, Left Hand Outlet
 - Same as above without whirlpool system

Nominal Dimensions:

1521 x 759 x 489mm
(59-7/8" x 29-7/8" x 19-1/4")

Compliance Certifications -

Meets or Exceeds the Following Specifications:

- Underwriters Laboratories - Hydromassage Bathtubs UL 1795
- ASME A112.19.7M for Whirlpool Appliances
- ANSI Z124.1 for Plastic Bathtubs
- ASTM E162 for Flammability
- NFPA 258 for Smoke Density

American Standard whirlpools and air baths with EverClean® incorporate a patented silver-ion additive right into the circulation piping to protect the pipes from mold, mildew, algae and fungus that could cause deterioration or staining of the pipes.

SEE REVERSE FOR PRODUCT DIMENSIONS AND SPECIFICATIONS

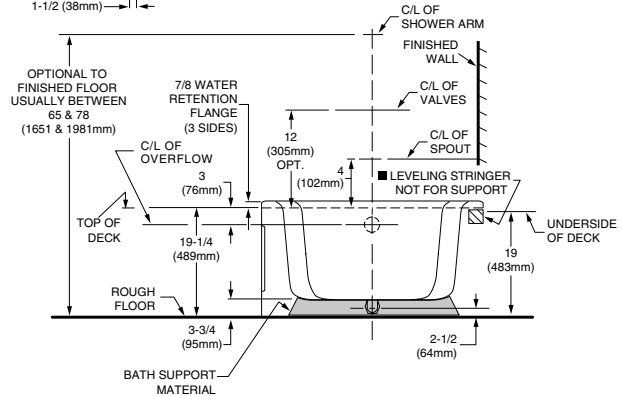
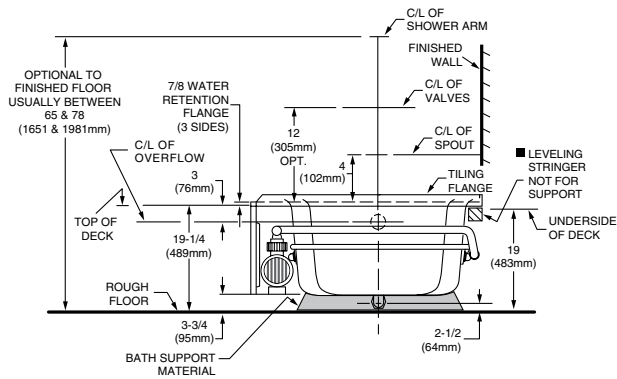
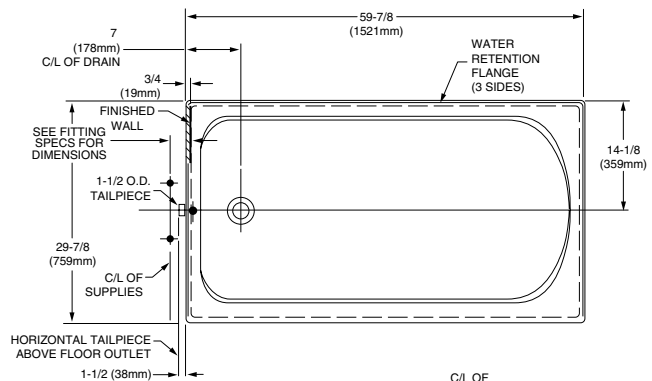
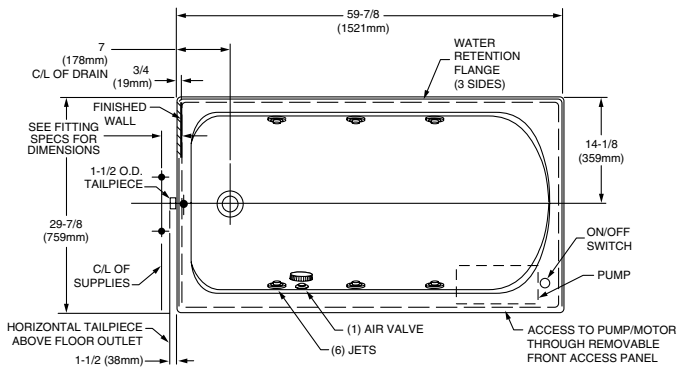


To Be Specified - Required:

- Color:
- Bath Faucet: (specify finish)
- Bath Drain: 1583.470 (specify finish)

For color/finish availability and other faucet choices, please see the Product Selector and Pricing Guide.

**COLONY™ 5' x 30" w/INTEGRAL APRON
WHIRLPOOL AND BATHING POOL
HIGH GLOSS**



GENERAL SPECIFICATIONS FOR 2740 WHIRLPOOL

INSTALLED SIZE _____ 59-7/8 x 29-7/8 x 19-1/4 (1521 x 759 x 489mm)
 WEIGHT _____ 105 Lbs. (47 Kgs.)
 WEIGHT w/WATER _____ 480 Lbs. (216 Kgs.)
 GAL. TO OVERFLOW _____ 45 Gal. (171 L)
 WHIRLPOOL MIN. OPERATING VOL. _____ 38 Gal. (144 L)
 BATHING WELL AT SUMP _____ 20 x 46 (508 x 1168mm)
 BATHING WELL AT RIM _____ 25-1/2 x 55-1/2(648 x 1410mm)
 WATER DEPTH TO OVERFLOW _____ 11-1/2 (292mm)
 FLOOR LOADING _____ 39 Lbs./Sq.Ft. (188 Kgs./Sq.m)
 (PROJECTED AREA)
 PTS. _____ 20.8
 CUBE (FT³) _____ 35.3

WHIRLPOOL ELECTRICAL SPECIFICATIONS

SYSTEM I PUMP _____ 1.25 HP, 9.9 AMPS, 120V.

GENERAL SPECIFICATIONS FOR 2740 BATHING POOL

INSTALLED SIZE — 59-7/8 x 29-7/8 x 19-1/4 (1521 x 759 x 489mm)
 WEIGHT _____ 70 Lbs. (32 Kgs.)
 WEIGHT w/WATER _____ 462 Lbs. (208 Kgs.)
 GAL. TO OVERFLOW _____ 47 Gal. (178 L)
 BATHING WELL AT SUMP _____ 20 x 46 (508 x 1168mm)
 BATHING WELL AT RIM _____ 25-1/2 x 55-1/2(648 x 1410mm)
 WATER DEPTH TO OVERFLOW _____ 11-1/2 (292mm)
 FLOOR LOADING _____ 37 Lbs./Sq.Ft. (179 Kgs./Sq.m)
 (PROJECTED AREA)
 PTS. _____ 20.8
 CUBE (FT³) _____ 35.3

NOTES:

BATH TO BE INSTALLED ABOVE FLOOR LINE AS A RECESS INSTALLATION.

■ REFER TO INSTALLATION INSTRUCTIONS SUPPLIED WITH WHIRLPOOL FOR ADDITIONAL INFORMATION.

BATH TO BE INSTALLED ABOVE FLOOR LINE AS A RECESS INSTALLATION.

LEFT HAND OUTLET SHOWN, RIGHT HAND REVERSE DIMENSIONS (2740.118).

FITTINGS NOT INCLUDED AND MUST BE ORDERED SEPARATELY.

PROVIDE SUITABLE REINFORCEMENT FOR ALL SUPPORTS.

IMPORTANT: Dimensions of fixtures are nominal and may vary within the range of tolerances established by ANSI Standards Z124.1 and A112.19.7. These measurements are subject to change or cancellation. No responsibility is assumed for use of superseded or voided pages.