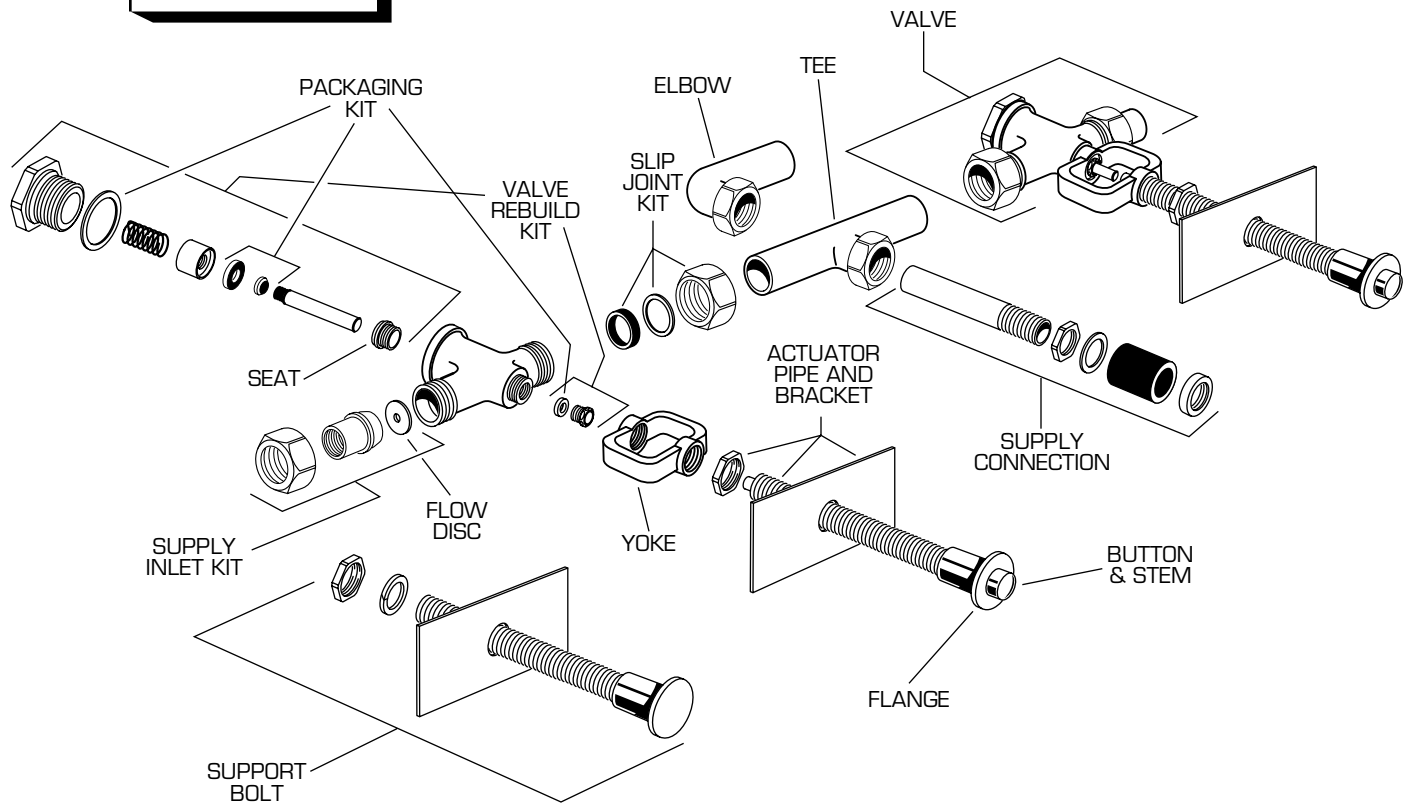


PRISON LAVATORY FITTING

MODEL NUMBERS

**0431 SERIES
0421 SERIES
2250 SERIES
2251 SERIES**

American Standard



REPAIR PARTS	DESCRIPTION	PART NUMBER	PKG QTY
Faucet Parts	Button & Stem - Cold (0" - 4")	066371-0020A	1
	Button & Stem - Hot (0" - 4")	066372-0020A	1
	Button & Stem - Cold (4" - 9")	066404-0020A	1
	Button & Stem - Hot (4" - 9")	066405-0020A	1
	Flange	060059-0020A	1
	Actuator Pipe and Bracket (0" - 4")	066295-0070A	1
	Actuator Pipe and Bracket (4" - 9")	066296-0070A	1
	Support Bolt (0" - 4")	012776-0020A	1
	Support Bolt (4" - 9")	012800-0020A	1
	Yoke	062204-0070A	1
	Valve Rebuild Kit	066298-0070A	1
	Seat	032949-0070A	1
	Flow Disc	000308-0070A	1
	Supply Inlet Kit	066306-0070A	1
	Slip Joint Kit	066332-0070A	1
	Valve	004466-0070A	1
	Tee	012498-0070A	1
	Elbow	012499-0070A	1
	Supply Connection (0" - 4")	013709-0070A	1
	Supply Connection (4" - 9")	013711-0070A	1
Packing Kit	066409-0070A	1	