

American Standard

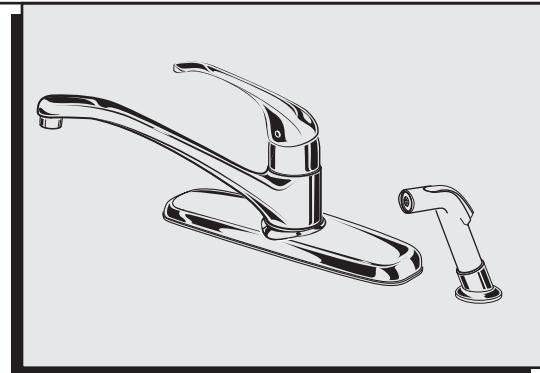
Installation
Instructions
4205.000
4205.001

Reliant+

SINGLE CONTROL KITCHEN FAUCETS

Thank you for selecting American-Standard...
the benchmark of fine quality for over 100 years.

To ensure that your installation proceeds smoothly—
please read these instructions carefully before you begin.



Certified to comply with ASME A112.18.1M
M968420 REV. 1.1

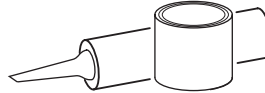
TOOLS REQUIRED



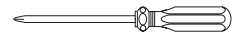
Channel Locks



Adjustable Wrench



Plumbers' Putty or Caulking



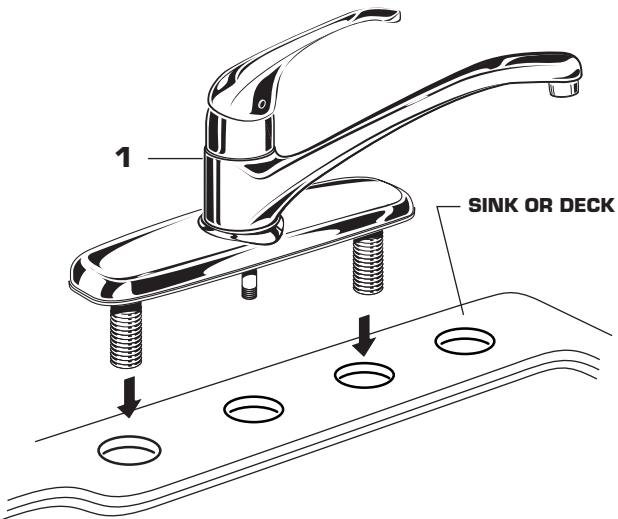
Phillips Screwdriver

1 INSTALL FAUCET

CAUTION

Turn off water at
main supply.

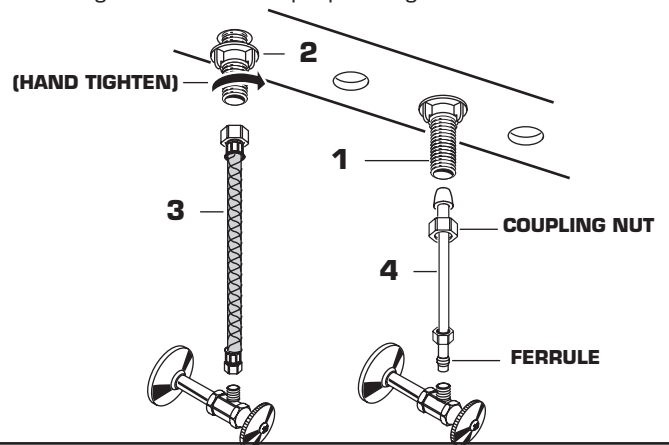
- Install FAUCET (1) on sink. (No sealant is required unless mounting deck on SINK is uneven).



2 SECURE FAUCET AND MAKE WATER SUPPLY CONNECTIONS

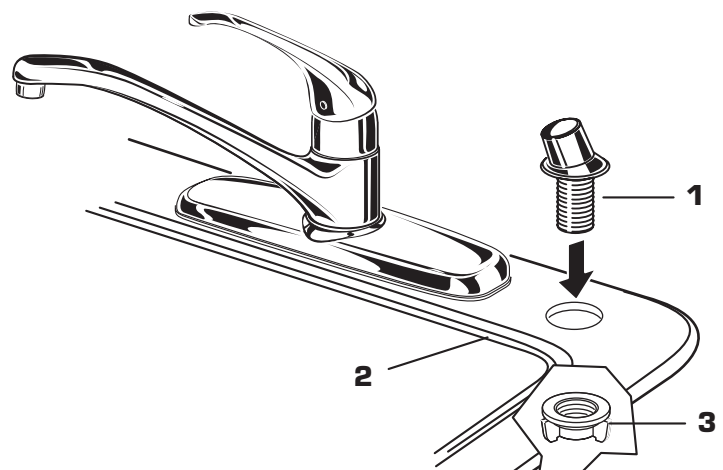
NOTE: FLEXIBLE SUPPLIES (3, 4) HAVE TO BE PURCHASED SEPARATELY

- Secure FAUCET (1) with ATTACHMENT NUTS (2) supplied. (HAND TIGHTEN).
- Connect water supply to FAUCET (1) with 1/2" IPS FLEXIBLE SUPPLIES (3) or 3/8" O.D. BULL-NOSE RISERS (4). Use adjustable wrench to tighten connections. Do not over tighten. Be careful not to kink copper supply when bending. Use tubing cutter to cut to proper length.



3 FITTING WITH SPRAY

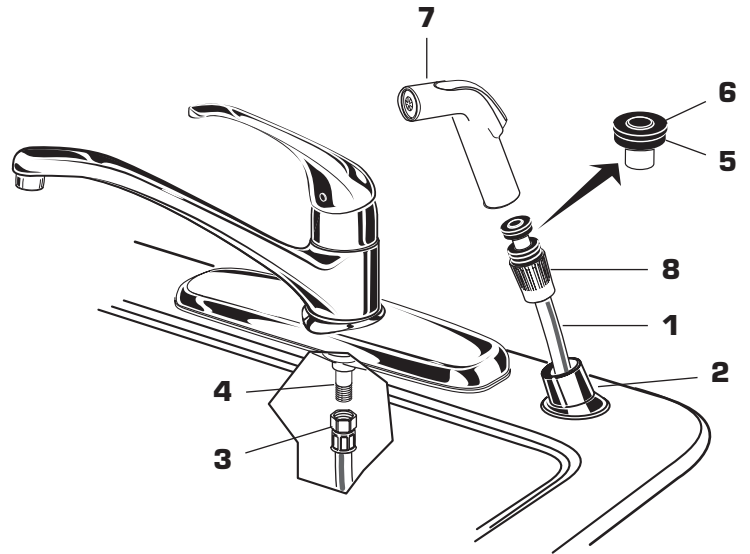
- Place SPRAY HOLDER (1) into separate hole of SINK (2) and assemble NUT (3) onto shank.
- From underside of SINK (2) and hand tighten NUT (3).



4

FITTING WITH SPRAY

- Feed SPRAY HOSE (1) through SPRAY HOLDER (2) and attach COUPLING NUT (3) of HOSE (1) to HOSE ADAPTOR (4) on valve body. Tighten COUPLING NUT (3) firmly.
- Make certain that SPACER WASHER (5) and RUBBER WASHER (6) are attached to SPRAY HOSE (1) and thread SPRAY HEAD (7) to NUT (8).



5

TEST INSTALLED FAUCET

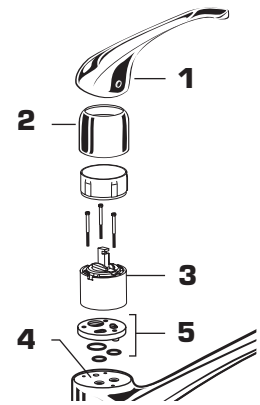
- Remove AERATOR. With handles in OFF position, turn on water supplies and check all connections for leaks.
- Operate HANDLE to flush water lines thoroughly. Rotate SPOUT in both directions. Replace AERATOR.
- Direct SPRAY HEAD into sink and activate SPRAY. Check HOSE connections for leaks.

6

SERVICE

If faucet drips proceed as follows:

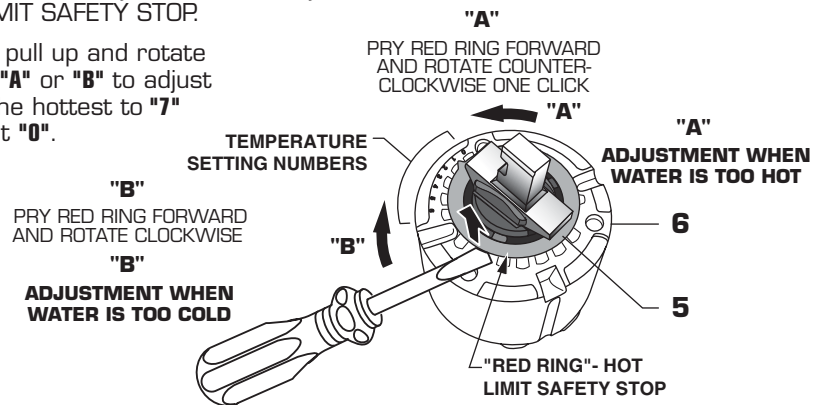
- Turn VALVE in OFF position.
- If faucet drips, operate handle several times from "off" to "on". Do not apply excessive force.
- Clogged CARTRIDGE inlets may cause reduced flow in "full on" hot or cold. To clean inlets, first turn off water supply, then:
- Remove HANDLE (1), CAP (2), CARTRIDGE (3), and DISC & SEALS (5). Clean inlets and MANIFOLD (4). Reassemble CARTRIDGE (3), alternately tightening screws. Replace CAP and HANDLE. Check flow.



HOT LIMIT SAFETY STOP ADJUSTMENT

By restricting handle rotation and limiting the amount of hot water allowed to mix with the cold, the HOT LIMIT SAFETY STOP reduces risk of accidental scalding. To set the maximum hot water temperature of your faucets, all you need to do is adjust the setting on the HOT LIMIT SAFETY STOP.

- Use a flat blade screwdriver or your fingers to pull up and rotate red HOT LIMIT SAFETY STOP (5). Follow Step "A" or "B" to adjust min./max. discharge temperature. "0" being the hottest to "7" the coldest temperature setting. Factory set at "0".



7

CARE INSTRUCTIONS:

- DO: SIMPLY RINSE THE PRODUCT CLEAN WITH CLEAR WATER. DRY WITH A SOFT COTTON FLANNEL CLOTH.**
- DO NOT: DO NOT CLEAN THE PRODUCT WITH SOAPS, ACID, POLISH, ABRASIVES, HARSH CLEANERS, OR A CLOTH WITH A COARSE SURFACE.**