

American Standard

LAKELAND

SINGLE CONTROL KITCHEN

PULL-OUT FAUCET with EverClean™ Finish

Congratulations on purchasing your American Standard faucet with EverClean finish found only on American Standard faucets.

EverClean Finish

- One wipe effortlessly removes spots
- Eliminates the need for cleaners and scrubbing
- Permanent surface protectant remains beautiful for the life of the faucet
- EverClean™ available on: Polished Chrome, Satin Nickel, Stainless Steel, Polished Brass (or any combination of these finishes)

Installation Instructions

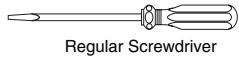
4114.100



Certified to comply with ANSI A112.18.1M
M968470 REV. 1.1

To ensure that your installation proceeds smoothly—please read these instructions carefully before you begin.

TOOLS REQUIRED



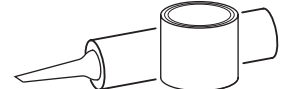
Regular Screwdriver



Phillips Screwdriver



Adjustable Wrench



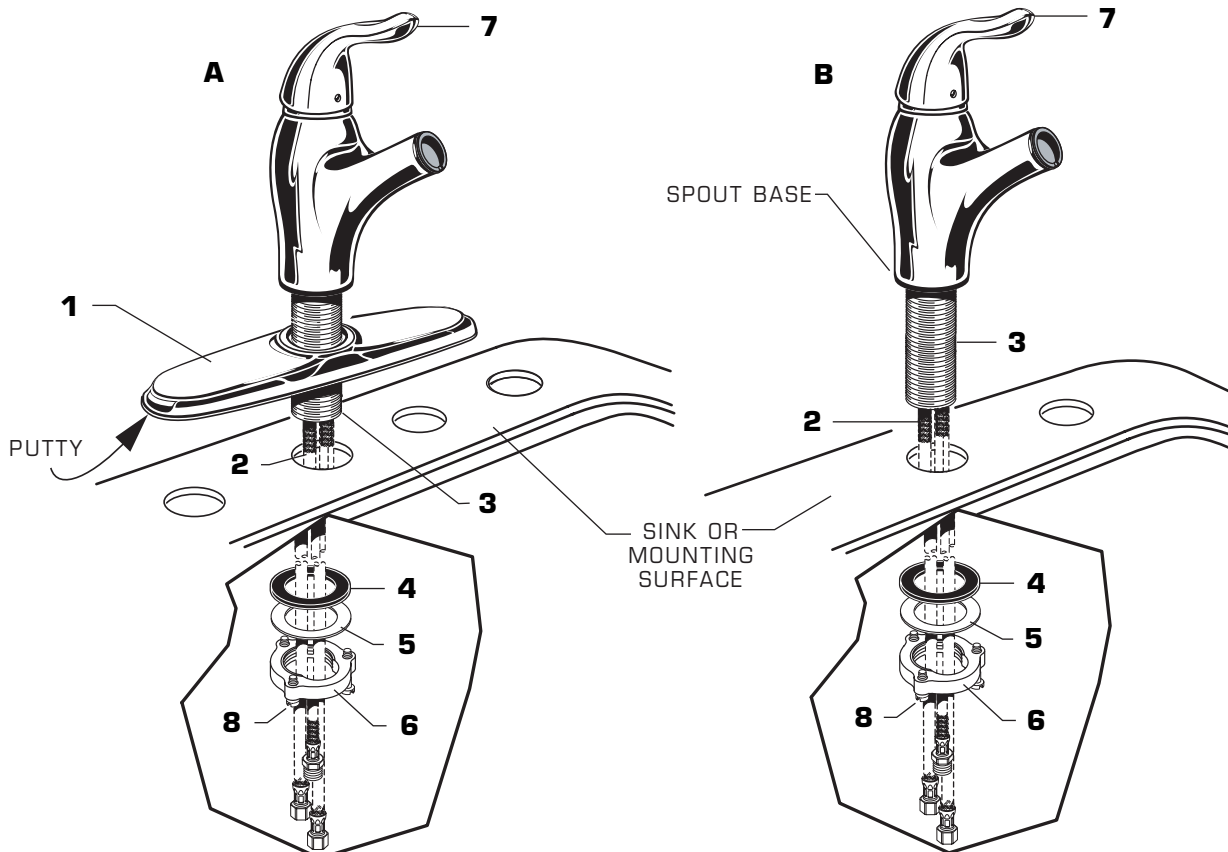
Plumbers' Putty or Caulking

1 INSTALL FAUCET WITH OR WITHOUT DECK ESCUTCHEON

CAUTION

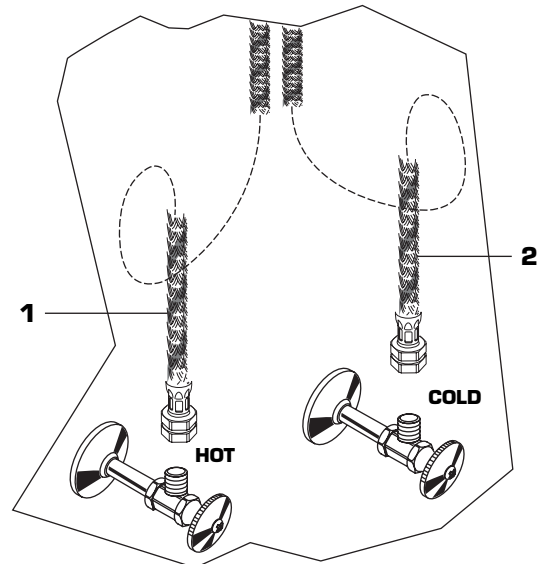
Turn off hot and cold water supplies before beginning.

- **(A) Installation with ESCUTCHEON (1).** Apply a bead of putty to bottom edge of ESCUTCHEON with PUTTY PLATE (1). Insert supply HOSES (2) and SHANK (3) through hole of ESCUTCHEON with PUTTY PLATE (1) and mounting surface. Follow mounting instructions below to secure faucet to mounting surface.
- **(B) Installation less ESCUTCHEON (1).** Discard ESCUTCHEON with PUTTY PLATE (1). Insert supply HOSES (2) and SHANK (3) through mounting hole and seat SPOUT BASE onto sink or mounting surface. Do not use putty.
- Assemble RUBBER WASHER (4), BRASS WASHER (5), and threaded LOCKNUT (6) onto SHANK (3) from underside of sink or mounting surface. Hand tighten LOCKNUT (6) and check that rotation of HANDLE (7) from HOT to COLD is centered.
- Use a screwdriver to tighten SCREWS (8) on LOCKNUT (6). Work your way around LOCKNUT (6), tightening the screws slightly each time until all are snug to ensure even pressure.



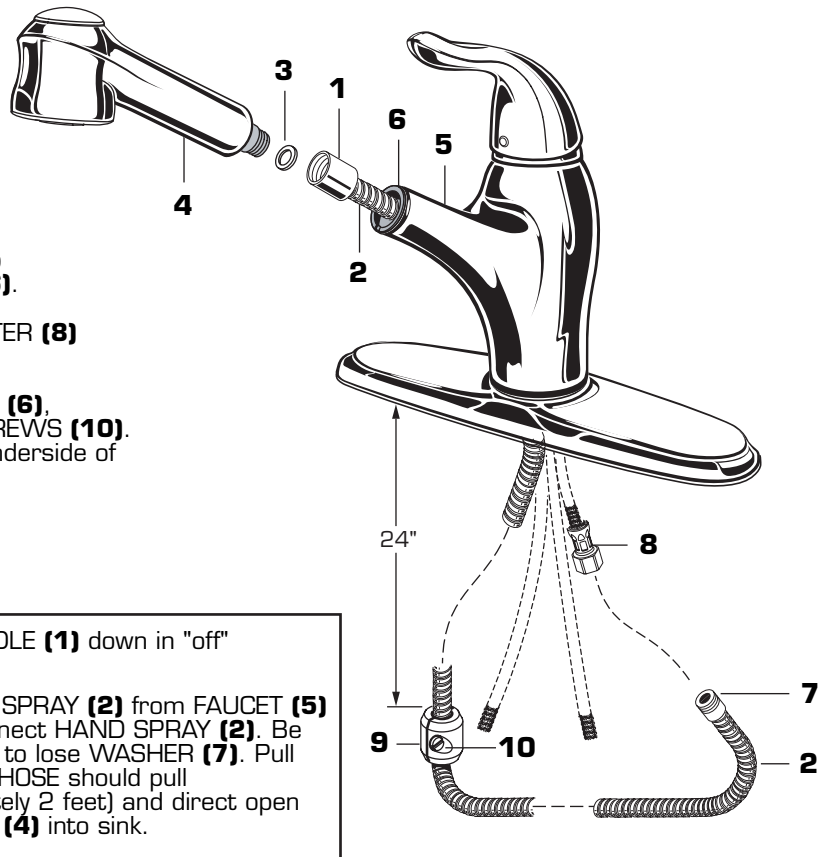
2 MAKE WATER SUPPLY CONNECTIONS

- Turn off hot and cold water supplies before beginning.
- Connect FLEXIBLE SUPPLIES (1, 2) directly to wall supplies. Connection on fitting supplies are 3/8" compression. Connect left supply to Hot (Marked with a Red Line) and right supply to Cold wall supply. Use adjustable wrench to tighten connections. Do not over tighten.
- Faucet supplies are 21" long from faucet base.
- *Note: If additional supply length is required, installer must purchase additional parts separately.*
- *Important: If SUPPLY HOSES (1, 2) are too long, loop as illustrated to avoid kinking.*



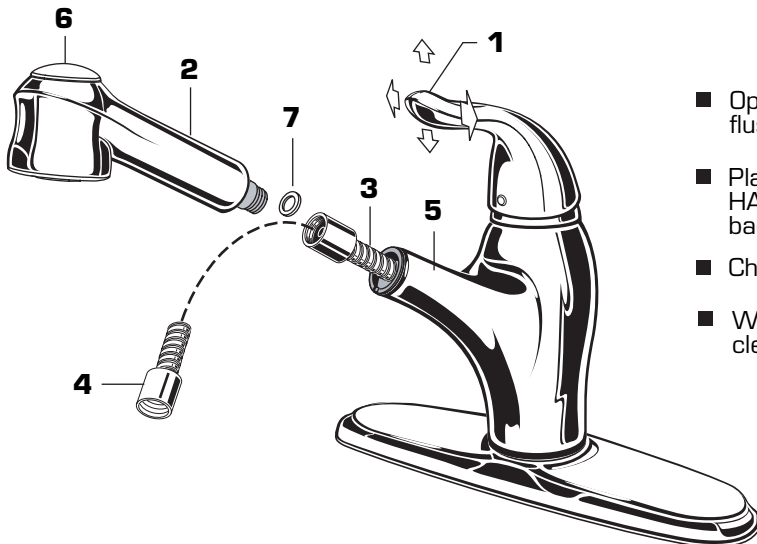
3 CONNECT SPRAY HOSE

- Slide COUPLING NUT (1) onto HOSE (2)
- Place WASHER (3) into COUPLING NUT (1) on HOSE (2). Thread COUPLING NUT (1) onto HAND SPRAY (4) and tighten. (May already be assembled).
- Feed small end of HOSE (2) through BODY (5) so HAND SPRAY (4) rests inside SPRAY HOLDER (6).
- Thread HOSE END (7) onto OUTLET HOSE ADAPTER (8) and tighten.
- With HAND SPRAY (4) seated in SPRAY HOLDER (6), install WEIGHTS (9) onto HOSE (2) using two SCREWS (10). Locate the WEIGHTS (9) two feet (2') from the underside of the sink deck. Tighten SCREWS (10) firmly.



4 TEST INSTALLED FAUCET

- Move HANDLE (1) down into "off" position.
- Turn on water supplies.
- Check connections for leaks. (See Section 5)
- With HANDLE (1) down in "off" position.
- Pull HAND SPRAY (2) from FAUCET (5) and disconnect HAND SPRAY (2). Be careful not to lose WASHER (7). Pull HOSE (3) (HOSE should pull approximately 2 feet) and direct open HOSE END (4) into sink.

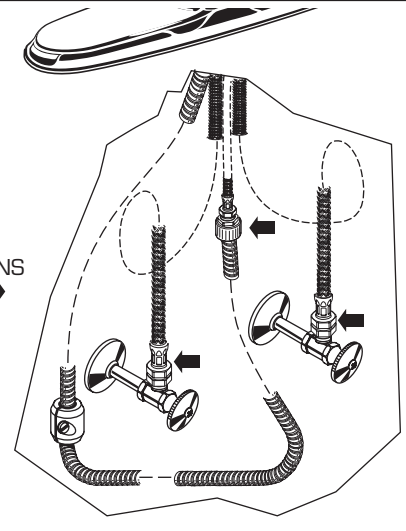


- Operate handle up and down, in COLD and HOT positions, to flush water lines thoroughly.
- Place WASHER (7) into HOSE END (4) and connect HAND SPRAY (2) to HOSE END (4). Place HAND SPRAY (2) back into faucet.
- Check HAND SPRAY (2) operation:
- With faucet on push front of BUTTON (6) for a broad cleansing spray.

5 CHECK CONNECTIONS FOR LEAKS.

- Move HANDLE down into "off" position.
- Turn on water supplies and check connections for leaks. ➡
- Operate HANDLE (2) up and down, left and right to flush water lines thoroughly.
- Operate HAND SPRAY and check connections for leaks. ➡

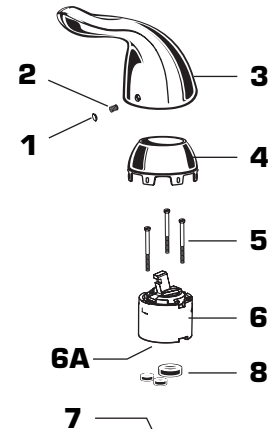
CHECK CONNECTIONS FOR LEAKS ➡



6 SERVICE

- If faucet drips, operate HANDLE several times from "off" to "on." Do not apply excessive force.
- **Clogged CARTRIDGE outlets or inlets may cause reduced flow.** To clean, first turn off water supply then:

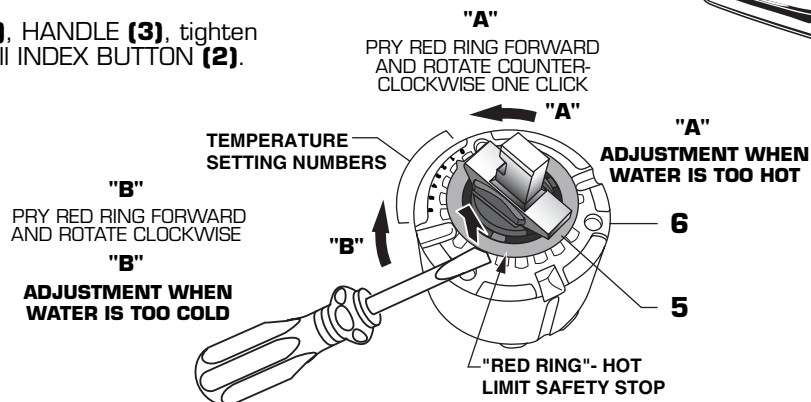
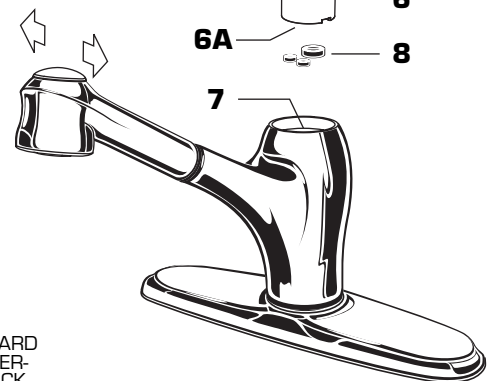
- Remove INDEX BUTTON (1), loosen HANDLE SCREW (2) and remove HANDLE (3).
- Pull off ESCUTCHEON CAP (4). Unscrew three MOUNTING SCREWS (5).
- Lift CARTRIDGE (6) off MANIFOLD (7) and remove CARTRIDGE SEALS (8).
- Clean MANIFOLD (7), CARTRIDGE (6) ports and SEALS (8).
- Place SEALS (8) into CARTRIDGE PORTS (6A).
- Place CARTRIDGE (6) onto MANIFOLD (7) and tighten MOUNTING SCREWS (5) alternately.
- Replace ESCUTCHEON CAP (4), HANDLE (3), tighten HANDLE SCREW (1) and install INDEX BUTTON (2).



HOT LIMIT SAFETY STOP ADJUSTMENT

By restricting handle rotation and limiting the amount of hot water allowed to mix with the cold, the HOT LIMIT SAFETY STOP reduces risk of accidental scalding. To set the maximum hot water temperature of your faucets, all you need to do is adjust the setting on the HOT LIMIT SAFETY STOP.

- Remove HANDLE BUTTON (1) and loosen SET SCREW (2). Pull HANDLE (3) off valve stem. Pull off CAP (4). Use a flat blade screwdriver or your fingers to pull up and rotate red HOT LIMIT SAFETY STOP (5). Follow Step "A" or "B" to adjust min./max. discharge temperature. "0" being the hottest to "7" the coldest temperature setting. Factory set at "0".
- Replace ESCUTCHEON CAP (4), HANDLE (3), tighten HANDLE SCREW (1) and install INDEX BUTTON (2).



7 EverClean™ Finish Care Instructions

American Standard's EverClean finish will wipe clean with a soft, dry cloth. A soft cloth with clean water may also be used, if desired. No additional cleaning products are required.

DO NOT USE: Soaps, acid, polish, abrasives, harsh cleaners, or a cloth with a coarse surface.