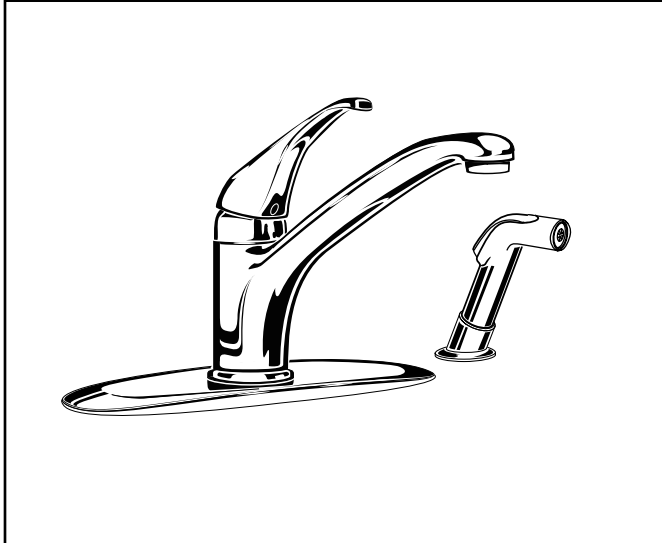


# American Standard



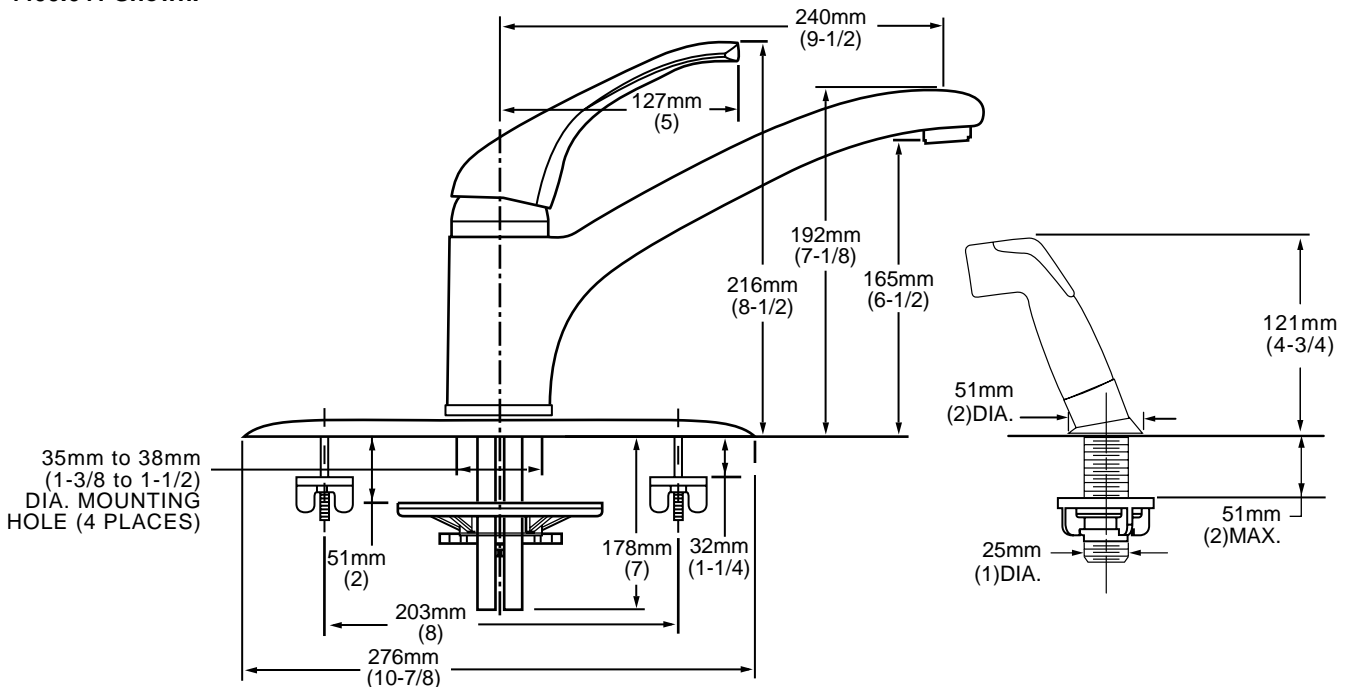
4400.641 Shown.

# CONNOISSEUR

## SINGLE CONTROL KITCHEN FAUCET WITH CAST BRASS SPOUT

### MODEL NUMBER:

- 4400.641 Kitchen Faucet**  
Handspray. 3/8" O.D. copper supplies. Escutcheon plate (use is optional).
- 4400.644 Kitchen Faucet**  
Handspray. 1/2" male threaded connectors and nuts. Escutcheon plate (use is optional).
- 4400.631 Kitchen Faucet**  
Handspray through escutcheon. 3/8" O.D. copper supplies.
- 4400.634 Kitchen Faucet**  
Handspray through escutcheon. 1/2" male threaded connectors and nuts.



### GENERAL DESCRIPTION:

Cast brass body and swing spout. Stamped brass escutcheon plate, and metal lever handle. Washerless 47mm ceramic disc valve cartridge. Choice of 3/8" O.D. copper supplies or 3/8" O.D. copper supplies with male threaded connectors and nuts. 2.2 gpm/8.3L/min. maximum flow rate. Model #4400.641/644 can be mounted with or without supplied escutcheon plate (escutcheon size 10-7/8"L x 2-1/2"W). Cap provided for less spray applications

### PRODUCT FEATURES:

**Brass and Copper Waterway & Cast Brass Spout:** Highest quality materials for durability and long life.

**Memory Position Valving:** Allows user to turn valve on and off at preferred temperature setting without readjusting handle position each time.

**Low Lead:** Meets NSF Standard 61/Section 9 & Prop 65 lead requirements.

**Ceramic Disc Valve Cartridge:** Assures smooth, precise valve control and a lifetime of drip-free, maintenance-free performance.

**Choice of Finishes:** Wide range of durable finishes.

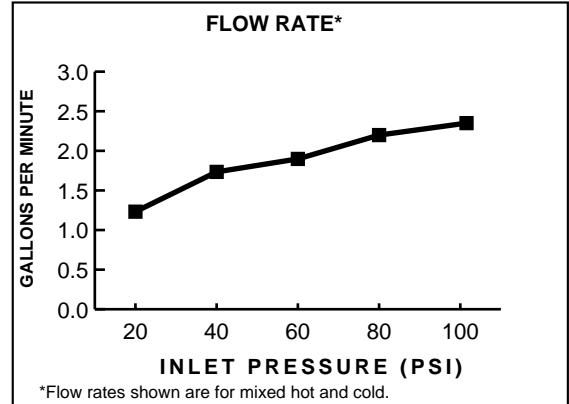
### SUGGESTED SPECIFICATION:

Single control kitchen faucet shall feature a cast brass body and cast brass swing spout. Stamped brass escutcheon plate, and metal lever handle. Shall also feature washerless ceramic disc valve cartridge. Fitting shall be American Standard Model # 4400.\_\_\_\_.\_\_\_\_.


### CODES AND STANDARDS

These products meet or exceed the following codes and standards:

- ANSI A117.1**
- ASME A112.18.1M**
- CSA B 125**
- NSF 61/Section 9**



Product Number	Description	Finish Options								
		Polished Chrome	White	Bone	White/Chrome mix	PVD Black Nickel	PVD Polished Brass	PVD Satin	PVD Satin/Brass mix	Chrome/PVD Brass mix
		002	020	021	025	072	099	295	297	299
4400.641	Kitchen faucet. Handspray. 3/8" O.D. copper inlets.									
4400.644	Kitchen faucet. Handspray. 1/2" male connectors.									
4400.631	Kitchen faucet. Handspray through escutcheon. 3/8" O.D. copper inlets.									
4400.634	Kitchen faucet. Handspray through escutcheon. 1/2" male connectors.									

 Meets the American Disabilities Act Guidelines and **ANSI A117.1** Requirements for the physically challenged.