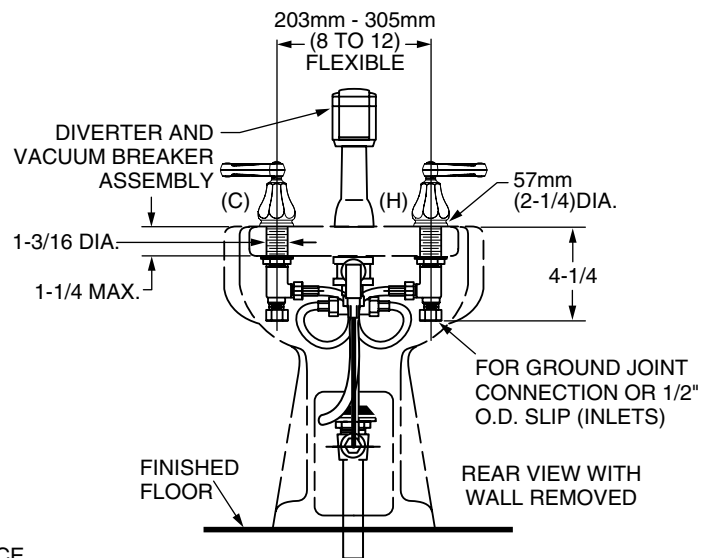
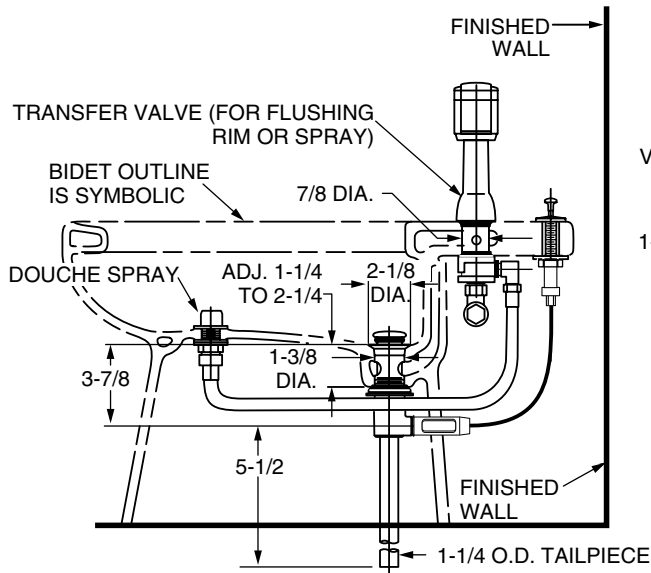




6028.401 Shown

MODEL NUMBER:

- ❑ **6028.401 Fixture-Mounted Bidet Fitting**
Vacuum breaker. Metal Speed Connect™ Pop-up drain. Metal lever handles.
- ❑ **6028.400 Fixture-Mounted Bidet Fitting**
Less vacuum breaker. Metal Speed Connect™ Pop-up drain. Metal lever handles.



GENERAL DESCRIPTION:

Cast brass valve bodies. 1/4 turn washerless ceramic disc valve cartridges - reversible for use with either lever or cross handles. Diverter controls water flow between douche spray and flushing rim. Douche spray has built-in spray height adjustment. 20" long (500mm) flexible stainless steel cable is pre-assembled to lift rod assembly. Metal Speed Connect™ drain body with 1-1/4" (32mm) tail piece.

PRODUCT FEATURES:

- Brass Construction:** Durable - Excellent in high use applications. Ideal for prolonged contact with water.
- Ceramic Disc Valve Cartridges:** Assures a lifetime of smooth handle operation and drip-free performance.
- Exclusive Speed Connect Metal Drain:**
 - Fewer Parts - installs in less time.
 - No adjustments required - seals the first time, every time.
 - Flexible stainless steel cable - installs effortlessly in tight spaces.
- Choice of Finishes:** Available in Polished Chrome (002) and Satin Nickel (295) finishes.

SUGGESTED SPECIFICATION:


Two handle deck-mount bidet fitting with matching pop-up drain shall feature solid brass construction. Shall also feature 1/4 turn washerless ceramic disc valve cartridges that are reversible for use with cross or lever handles. Shall also feature a metal drain body with stainless steel cable actuation. Fitting shall be American Standard Model #6028.40__.

CODES AND STANDARDS

These products meet or exceed the following codes and standards:

- ASME A112.18.1**
- CSA B 125**
- ASSE 1001 - 6028.401 only**

Product Number	Description	Finish Options		
		Polished Chrome	PVD Blackened Bronze	PVD Satin Nickel
		002	068	295
6028.401	Fixture-mounted bidet fitting. Vacuum breaker. Metal Speed Connect™ Pop-up drain. Metal lever handles.			
6028.400	Fixture-mounted bidet fitting. LESS Vacuum breaker. Metal Speed Connect™ Pop-up drain. Metal lever handles.			

 Meets the American Disabilities Act Guidelines and **ANSI A117.1** Requirements for the physically challenged.