

**CULINAIRE™ 18" STAINLESS STEEL ISLAND SINK**

**7507.103 Top Mount**

- 18 Gauge Stainless Steel
- 18/10 Chrome Nickel content
- Island bowl design
- Top mount
- Single faucet hole
- One accessory hole
- Mounting clips supplied

**Nominal Dimensions:**

457 x 559 x 209mm  
(18" x 22" x 8-1/4")

**7507.000 Undercounter Mount**

- 18 Gauge Stainless Steel
- 18/10 Chrome Nickel content
- Island bowl design
- Undercounter installation
- Mounting clips and cutout template supplied

**Nominal Dimensions:**

384 x 197 x 203mm  
(15-1/8" x 17-3/4" x 8")

**Bowl sizes:**

343mm (13-1/2")wide  
410mm (16-1/8")front to back  
200mm (7-7/8") deep

**Compliance Certifications -**

**Meets or Exceeds the Following Specifications:**

- ASME A112.19.3 for Stainless Steel Plumbing Fixtures
- CSA B45 for Plumbing Fixtures



**7507.103** Shown with **4233.400** Culinaire Bar Faucet (not included)



**7507.000** Shown with **4233.400** Culinaire Bar Faucet (not included)

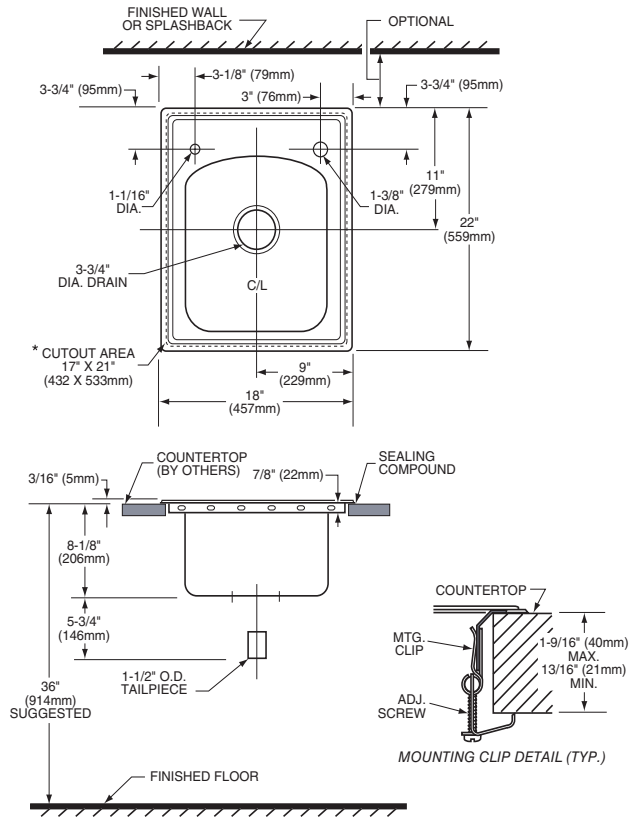
SEE REVERSE SIDE FOR ROUGHING-IN DIMENSIONS

**To Be Specified:**

- Color: Stainless Steel
- Faucet\*:
- Faucet Finish:
- Basket Strainer: 4331.013
- Soap Dispenser: 4503.115
- Remote Access Drain-Sgl Ctrl: 8780.010
- Vinyl Coated Bottom Sink Rack-Sm: 7412.100
- Vinyl Coated Dish Rack-Sm: 7532.100
- Wood Cutting Board-Rec: 9001.100
- Synthetic Cutting Board-Rec: 9009.100
- Wood Cutting Board-Sq: 9005.100
- Synthetic Cutting Board-Sq: 011.100
- Stainless Steel Colander: 130.100
- Hole Cover Plug: 790773-0070A
- Top Mount Clip Kit for 1" plus-thick countertop: 790772-0070A

\* See faucet section for available models

**7507.103 Top Mount**



**NOTES:**  
FITTINGS NOT INCLUDED AND MUST BE ORDERED SEPARATELY.  
PROVIDE SUITABLE REINFORCEMENT FOR ALL WALL AND COUNTERTOP SUPPORTS.

**IMPORTANT:** Dimensions of fixtures are nominal and may vary within the range of tolerances established by ASME A112.19.3. These measurements are subject to change or cancellation. No responsibility is assumed for use of superseded or voided leaflet.

**7507.000 Undercounter Mount**

**NOTES:**  
\* TEMPLATE PROVIDED WITH MOUNTING KIT FOR UNDER-COUNTER CUTOUT VARIATIONS.

FITTINGS NOT INCLUDED AND MUST BE ORDERED SEPARATELY.

PROVIDE SUITABLE REINFORCEMENT FOR ALL WALL AND COUNTERTOP SUPPORTS.

**IMPORTANT:** Dimensions of fixtures are nominal and may vary within the range of tolerances established by ASME A112.19.3. These measurements are subject to change or cancellation. No responsibility is assumed for use of superseded or voided leaflet

