

Standard Collection CONSOLE TABLE

- Classically-styled oval console table
 - Uses Standard Collection oval pedestal top with Standard console table legs
 - Console table legs feature classic styling with integral towel bars with ceramic knob ends and a clear glass shelf for storage. Available in Chrome or Satin finish.
 - Right Height™ for greater comfort during use
 - **Design matched to Standard Collection toilet**
 - Console/pedestal top with faucet holes on 8" (203mm) centers
 - Recommended design-matched 8" spread faucet #2881 available in chrome or satin finish
- 7483.002** Console table legs in Chrome finish and Standard Console/Pedestal top 8" (203mm) centers
 - 7483.295** Console table legs in Satin finish and Standard Console/Pedestal top 8" (203mm) centers

Separate Components:

- 0283.008** Console/Pedestal top 8" (203mm) centers
- 8710.000.002** Console table legs (Chrome)
- 8710.000.295** Console table legs (Satin)

Nominal Dimensions:
32" x 20" x 36"
(813 x 508 x 914mm)

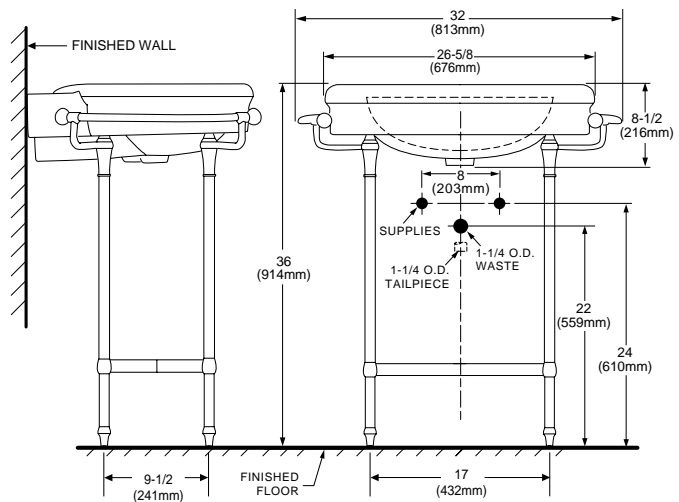
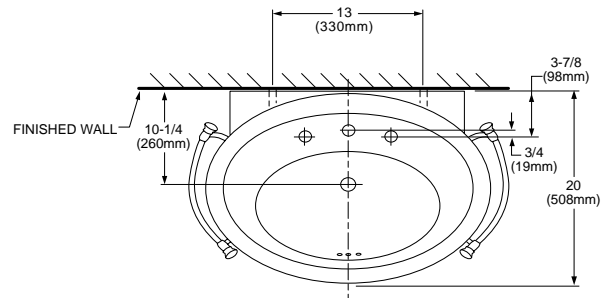
Bowl sizes:
16-3/4" (425mm) wide,
11-1/4" (286mm) front to back,
6-1/4" (159mm) deep

Compliance Certifications - Meets or Exceeds the Following Specifications:

- ASME A112.19.9M for Non-Vitreous Ceramic Fixtures
- CAN/CSA B45 Series

To Be Specified

- Color: White only
- Recommended Faucet: 8" spread No. 2881
- Faucet Finish: Chrome or Satin
- Supplies:
- 1-1/4" Trap:



NOTES:
DIMENSIONS SHOWN FOR LOCATION OF SUPPLIES AND "P" TRAP ARE SUGGESTED. ANCHOR SCREWS FOR LAVATORY AND PEDESTAL NOT INCLUDED. FITTINGS NOT INCLUDED AND MUST BE ORDERED SEPARATELY. PROVIDE SUITABLE REINFORCEMENT FOR ALL WALL SUPPORTS. **IMPORTANT:** Dimensions of fixtures are nominal and may vary within the range of tolerances established by ANSI Standard A112.19.9M. These measurements are subject to change or cancellation. No responsibility is assumed for use of superseded or voided pages.