

Owner's Manual EURO FRAMELESS BY-PASS SHOWER DOOR

Showerite

American Standard
Style That Works Better

Thank you for selecting our product...the benchmark of fine quality for over 100 years. To ensure that your installation proceeds smoothly--please read these instructions carefully before you begin.

Record Model Number _____

710015-100

BEFORE YOU BEGIN...

Local building codes vary by location. Observe all local plumbing and building codes.

Unpack your new shower doors and inspect them carefully for damage. Verify that the doors are the correct size for your installation.

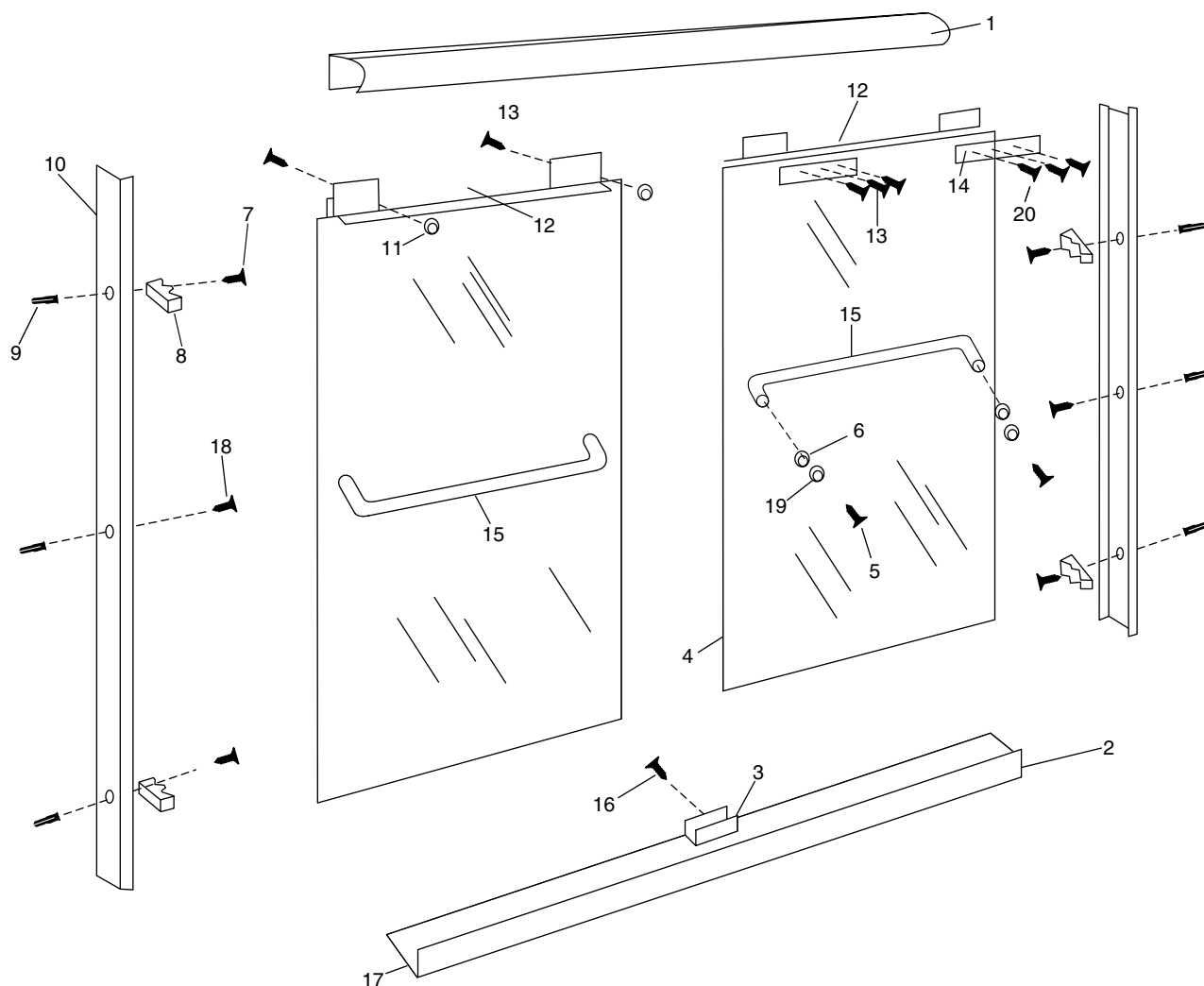
TOOLS & MATERIALS REQUIRED...

• Tape Measure • Electric Drill • Level • Phillips Screwdriver • Drill Bits 1/8" & 3/16" • Hacksaw • Silicone Caulk

IMPORTANT: Record the Model No. (see carton) of your shower or tub enclosure for future reference. Model No. _____

READ THE INSTRUCTIONS CAREFULLY: Familiarize yourself with all the parts as shown in the exploded view. The exploded view will also provide a helpful reference when relating the location of the various parts and how they are mounted.

NOTE: For fiberglass stalls use 1/8" regular bit or #29. Do not use plastic anchors. All screws are self tapping.

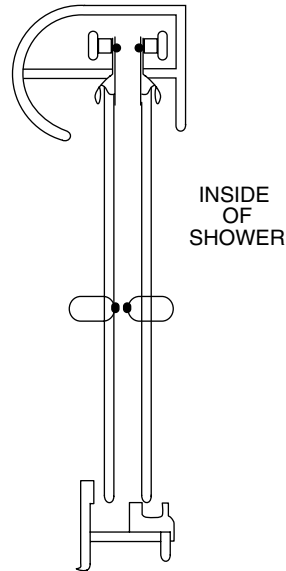


1 INSTALLATION PROCEDURES:

Before installing rollers, hangars, and towel bars, please see side view of a completed door above.

NOTE: Screwheads for roller screws and hangar screws are located between two panels.

Painted or rough side (if any) of both panels should face the outside of shower.



2

Carefully remove panels from carton and place on a towel or other soft surface.

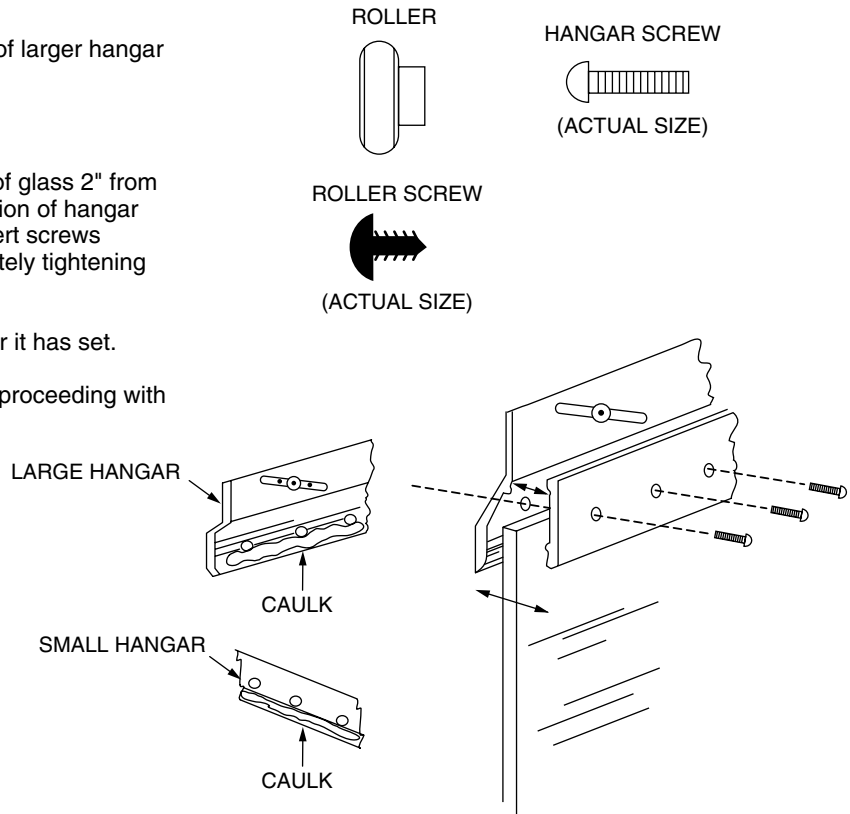
Mount nylon rollers in the center of slots of larger hangar piece with roller on smooth side.

Apply silicone caulk as shown.

Position large and small hangars on top of glass 2" from the edge. Clamp together so top indentation of hangar assembly rests on top edge of glass. Insert screws opposite side of rollers as shown, alternately tightening each of the three screws.

Trim excess silicone with sharp knife after it has set.

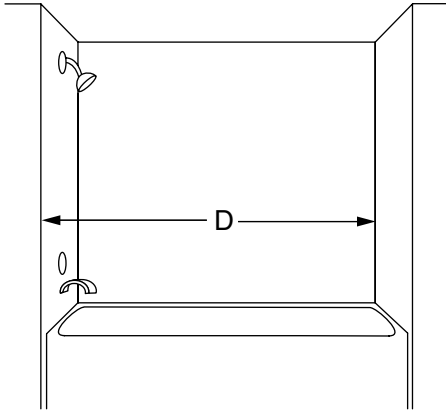
NOTE: Allow silicone caulk to cure while proceeding with following steps.



3

Measure length D in the center of the tub ledge

NOTE: (if a steel tape is used, be sure to add the width of the case to the measurement.)

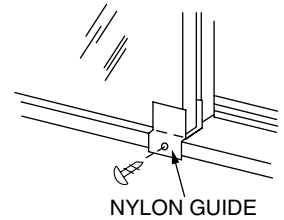
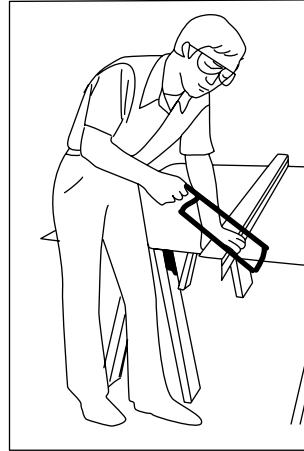


RECORD MEASUREMENT D = _____ IN

4

Cut bottom track 3/16" shorter than length D. Do not cut top track at this time.

Measure length of bottom track to determine center position. Using center guide as a template, drill a 1/8" hole in bottom track (see picture). Place center guide to the side for future installation (see step 12).



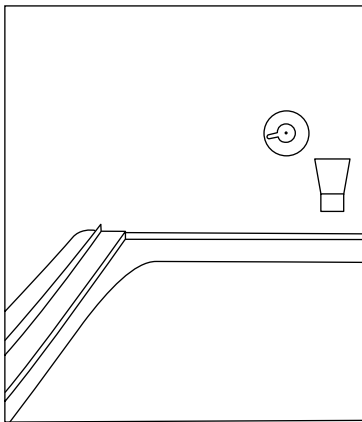
For best results use a 32-tooth hacksaw blade and a miter box.

5

Temporarily place bottom track on ledge at least 3/4" in from outside edge and leaving small gap at each end for wall jamb (high edge to outside of tub).

Fasten in place temporarily with masking tape.

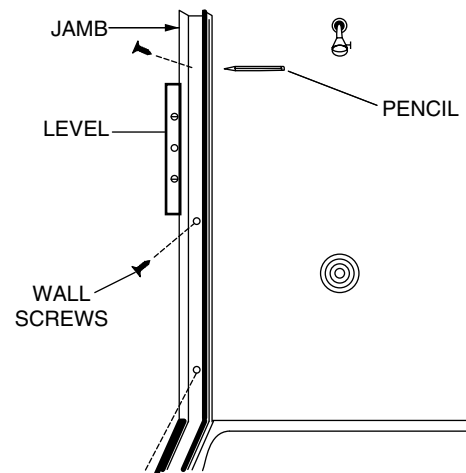
Mark its position with a pencil.

**6**

Use a level to plumb wall jamb as shown and mark the 3 hole locations.

Repeat procedure at opposite side with other jamb.

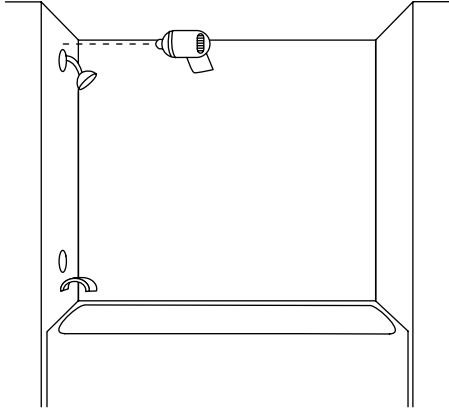
Close tub drain before proceeding.



7

Remove bottom track and drill 3/16" holes for screw anchors on wall as shown in Step 6. In ceramic tile use a masonry drill bit and nick surface glaze first with a center punch.

After drilling, clean tub rim or stall threshold thoroughly to assure proper adhesion of bottom track. Insert screw anchors provided.

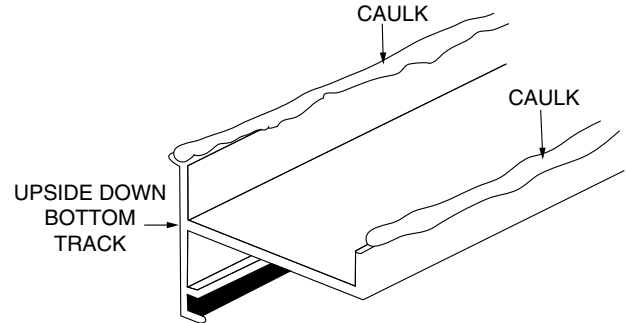


SCREW ANCHOR
(ACTUAL SIZE)

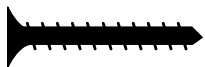
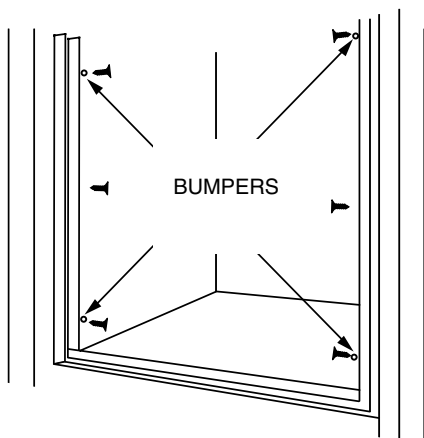
8

Apply silicone caulk to bottom of bottom track as shown and replace bottom track on ledge in previously marked location.

NOTE: High edge of bottom track should face outside edge of shower or tub. Carefully wipe off any excess caulk (try not to move bottom track).

**9**

Install wall jamba and secure with wall screws provided. Ensure wall bumpers are installed as shown.



WALL JAMB SCREW
FOR BUMPERS
(ACTUAL SIZE)

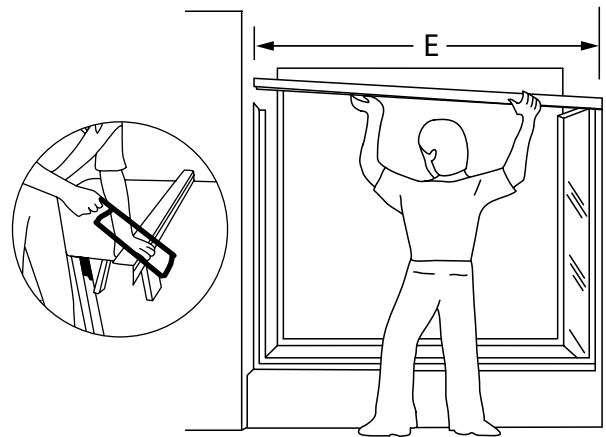


OTHER
WALL JAMB SCREWS
(ACTUAL SIZE)

10

Measure wall to wall opening at top of jamba and cut top track 1/16" shorter than actual measurement to allow for clearance.

Select style of top track, curved or flat.



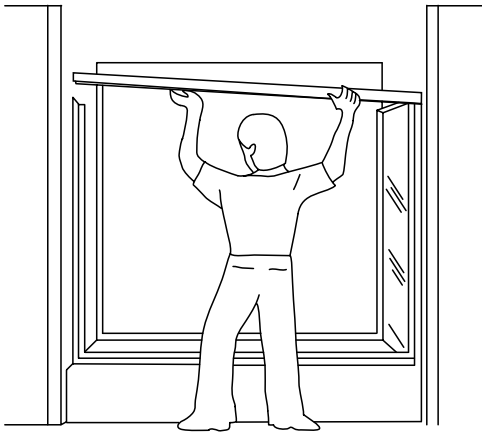
For best results, use a 32-tooth hacksaw blade and a miter box.

11

Install header over each top end of wall jambs.

Drill a 1/8" hole through header and into wall jamb from inside shower at each end (1/4" from the wall).

Fasten header to wall jambs with screws provided.

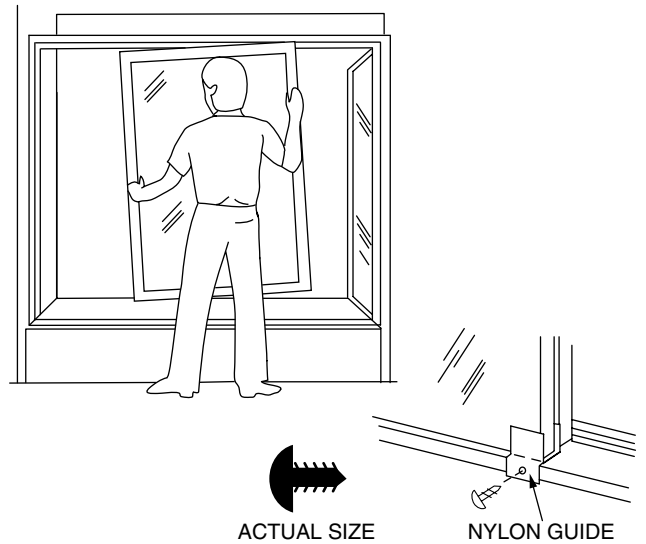
**12**

Install inside door panel by lifting up inside top track and hanging rollers on groove. Please be careful not to touch bottom edge of glass panels with bottom track when hanging rollers on track.

Ensure that rollers are properly seated and panel glides on top track before releasing panel. Repeat for outside door panel.

If panels are not parallel to wall jambs, remove and adjust rollers up or down in roller slots.

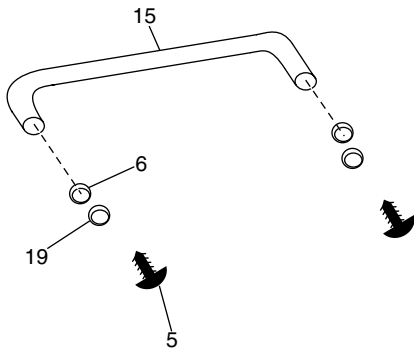
At center of bottom track, slide center guide under inside panel as shown and attach with screw.

**13**

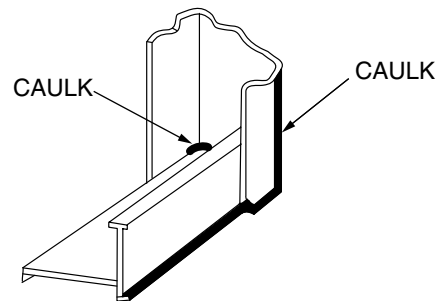
To attach towel bar, put washer and plastic grommet over towel bar screw.

Place a washer and towel bar on other side of glass and thread screw loosely into towel bar.

Hand tighten after all four screws are in place. If towel bar loosens over time, put a cloth over edge of screws and tighten.

**14**

1. Caulk the gap at both ends of bottom track wall jambs.
2. Caulk along inside wall jambs.



HOW TO CARE FOR YOUR ENCLOSURE Do not use scouring powder, pads or sharp instruments on metal or glass panels. Occasionally wipe with mild detergent diluted in water to keep the panels and metal parts looking new. Use squeegees following each shower to eliminate water spots on the inside of the glass panels.

HOW TO ORDER REPLACEMENT PARTS

Provide the following information to your Dealer.

1. Part Name
2. Part Number
3. Part Description
(Length, Size, Color, etc.)
4. Model Number

Key No.	Part Name	Part No. Pacer
1	TOP TRACK	1191
2	BOTTOM TRACK	1192
3	CENTER GUIDE	CF1
4	GLASS PANEL	
5	TOWEL BAR SCREW	T81-F
6	TOWEL BAR WASHERS	TW
7	WALL JAMB SCREW FOR BUMPER	81-F
8	WALL BUMPER	TWB1
9	SCREW ANCHOR	PSA1
10	WALL JAMB	EX106
11	ROLLER	E9004
12	HANGAR-LARGE	T1194
13	ROLLER SCREW	832-38
14	HANGAR – SMALL	T1195
15	TOWEL BAR	T1198
16	CENTER GUIDE SCREW	812
17	BOTTOM TRACK WIPER STRIP	BTW2
18	WALL JAMB SCREW	81-P
19	GROMMETS	TG
20	HANGAR SCREWS	832-12

AS AMERICA, INC. LIMITED LIFETIME WARRANTY FOR SHOWER DOORS

Showerite

American Standard

Style That Works Better

AS America, Inc. ("American Standard") warrants to the **original consumer purchaser** that it will, at its sole option, repair or replace this product or any part of this product, if it confirms that the product is defective in materials or workmanship under normal use and maintenance for the lifetime of this product.

This warranty does not apply to commercial installations. Commercial installations shall have a limited warranty of 3 year(s).

This limited warranty DOES NOT COVER the following:

1. Defects or damage arising from shipping, installation, alterations, accidents, abuse, misuse, lack of proper maintenance and use of other than genuine American Standard replacement parts, in all cases whether caused by a plumbing contractor, service company, the owner or any other person.
2. Deterioration through normal wear and tear.
3. **HARD WATER DAMAGE, OR DAMAGES RESULTING FROM ABUSE OR MISUSE OR FROM FAILURE TO INSTALL OR MAINTAIN THIS PLUMBING PRODUCT IN ACCORDANCE WITH THE WRITTEN INSTRUCTIONS FURNISHED BY AS AMERICA, INC.**
4. **USE OF CLEANING PRODUCTS CONTAINING CALCIUM HYPO CHLORITE (CHLORINE), SCOURING POWDERS OR PADS SHALL NOT BE COVERED.**
5. **THE USE OF SCENTED CANDLES IN CLOSE PROXIMITY WITH THIS PRODUCT CAN RESULT IN PERMANENT STAINING OF THE FINISH.**
6. Expense of normal maintenance.
7. All costs of removal, transportation, labor, reinstallation or other costs including postage and/or shipping costs to obtain warranty service shall be paid by the consumer.
8. **ANY LIABILITY FOR CONSEQUENTIAL OR INCIDENTAL DAMAGES, ALL OF WHICH ARE HEREBY EXPRESSLY DISCLAIMED. ANY IMPLIED WARRANTIES, INCLUDING THOSE OF MERCHANTABILITY OR FITNESS FOR PURPOSE INTENDED ARE SPECIFICALLY EXCLUDED.** (Some jurisdictions do not allow limitations on how long an implied warranty lasts, or the exclusion or limitation of incidental or consequential damages, so these limitations and exclusions may not apply to you.)
9. Responsibility for compliance with local code requirements ARE EXCLUDED FROM THIS WARRANTY. (Since local code requirements vary greatly distributors, dealers, installation contractors and users of plumbing products should determine whether there are any code restrictions on the installation or use of a specific product.)

This limited warranty gives you specific legal rights. You may have other statutory rights that vary from state to state or from province to province, in which case this limited warranty does not affect such statutory rights.

For service under this warranty, it is suggested that a claim be made through the contractor or dealer from or through whom the product was purchased, or that a service request (including a description of the product model and of the defect) be sent to the following with proof of purchase or original receipt:

AS America, Inc.
P.O. Box 659
West Caldwell, NJ 07007
Attention: Customer Care Center

Customer Care by telephone: 1-800-442-1902

GARANTÍA LIMITADA DE POR VIDA DE AS AMERICA, INC. PARA PUERTAS DE DUCHA

Showerite

American Standard

Style That Works Better

AS America, Inc. ("American Standard") le garantiza al **comprador original** que reparará o reemplazará, si lo estima conveniente, este producto o cualquiera de sus piezas, si confirma que el producto tiene defectos de materiales o de mano de obra según el uso y mantenimiento normales, durante toda la vida de este producto.

Esta garantía no se aplica a instalaciones comerciales. Las instalaciones comerciales tendrán una garantía limitada de 3 años.

Esta garantía limitada NO CUBRE lo siguiente:

1. Defectos o daños que surjan del envío, la instalación, alteraciones, accidentes, abuso, uso indebido, falta de mantenimiento correcto y uso de piezas que no sean repuestos originales de American Standard en todos los casos, ya sea causados por un contratista de plomería, una empresa de servicios, el propietario o cualquier otra persona.
2. Deterioro por desgaste y uso normal.
3. **DAÑOS POR AGUAS DURAS O DAÑOS RESULTANTES DE ABUSO O USO INDEBIDO O POR NO HABER INSTALADO O REALIZADO EL MANTENIMIENTO DE ESTE PRODUCTO DE PLOMERÍA DE ACUERDO CON LAS INSTRUCCIONES ESCRITAS PROPORCIONADAS POR AS AMERICA, INC.**
4. **EL USO DE PRODUCTOS DE LIMPIEZA CON HIPOCLORITO DE CALCIO (CLORO), POLVOS O ESPONJAS DE LIMPIEZA ABRASIVOS NO ESTARÁ CUBIERTO.**
5. **EL USO DE VELAS AROMÁTICAS DEMASIADO CERCA DE ESTE PRODUCTO PUEDE PRODUCIR MANCHAS PERMANENTES EN EL ACABADO.**
6. Gastos de mantenimiento normal.
7. Todos los costos de remoción, transporte, mano de obra, reinstalación u otros costos, incluso gastos de franqueo y/o envío para obtener servicio de garantía serán pagados por el consumidor.
8. **CUALQUIER RESPONSABILIDAD CIVIL POR DAÑOS INDIRECTOS O INCIDENTALES, TODOS LOS CUALES QUEDAN EXPRESAMENTE EXCLUIDOS POR EL PRESENTE DOCUMENTO. CUALQUIER GARANTÍA IMPLÍCITA, INCLUSO LAS GARANTÍAS DE COMERCIABILIDAD O IDONEIDAD PARA UN PROPÓSITO PREVISTO, QUEDA ESPECÍFICAMENTE EXCLUIDA.** (Algunas jurisdicciones no permiten limitaciones con respecto a la vigencia de una garantía implícita o la exclusión o limitación de daños incidentales o indirectos, de modo que estas limitaciones y exclusiones pueden no corresponderle.)
9. La responsabilidad por el cumplimiento de requisitos de códigos locales QUEDA EXCLUIDA DE ESTA GARANTÍA. (Como los requisitos de códigos locales varían ampliamente, los distribuidores, concesionarios, contratistas instaladores y usuarios de productos de plomería deben determinar si existe alguna restricción en los códigos con respecto a la instalación al uso de un producto específico.)

Esta garantía limitada le otorga derechos legales específicos. Los derechos estatales que usted pueda tener y que varían de un estado a otro o de una provincia a otra, no quedan afectados por esta garantía limitada.

Para obtener servicio bajo esta garantía, se sugiere que se reclame por medio del contratista o el concesionario a quien o mediante quien se adquirió el producto, o que se envíe una solicitud de servicio (incluyendo una descripción del modelo del producto y del defecto) a los siguientes junto con un comprobante de compra o el recibo original:

AS America, Inc.
P.O. Box 659
West Caldwell, NJ 07007
Atención: Servicio al cliente

Servicio al Cliente por teléfono: 1-800-442-1902