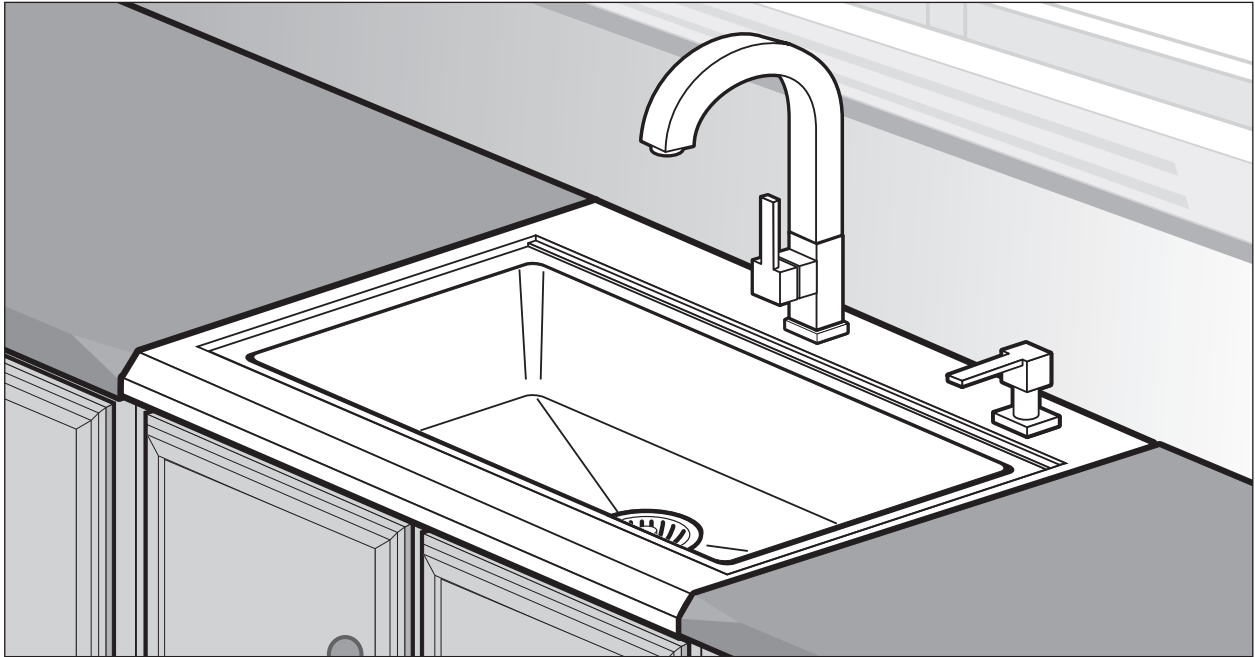


American Standard

INSTALLATION INSTRUCTIONS FOR THE APPLIANCE SINK



GENERAL ADVICE

Please read these instructions before you begin installation.

1. Unpack the sink and inspect for any shipping damage before starting the installation. Do not install a damaged unit.
2. American Standard accepts no liability for damage to the countertop, or sink fixture, during installation.
3. To ensure a proper fit between the sink and the cabinet and the counter top, we recommend providing the fabricator with the actual sink to be installed.
4. The aesthetics of the installed product is of the utmost importance. Please take the necessary care to ensure that any exposed silicone joints are kept to a minimum, the sink is properly aligned to the cut-out, and excess silicone is cleaned from the sink.
5. The Appliance Sink is hand fabricated, and dimensions of the the product will vary from one unit to the next. Industry accepted dimensional variance for this type of product is within 1/8".

ITEMS SUPPLIED BY AMERICAN STANDARD

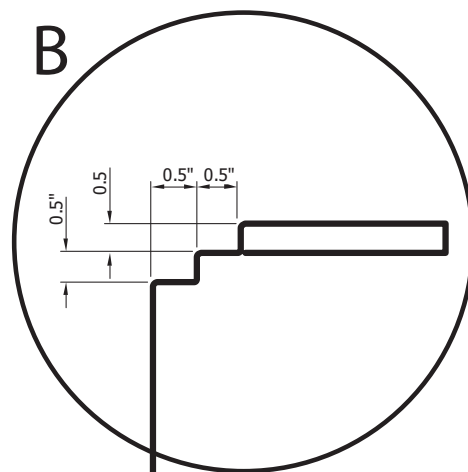
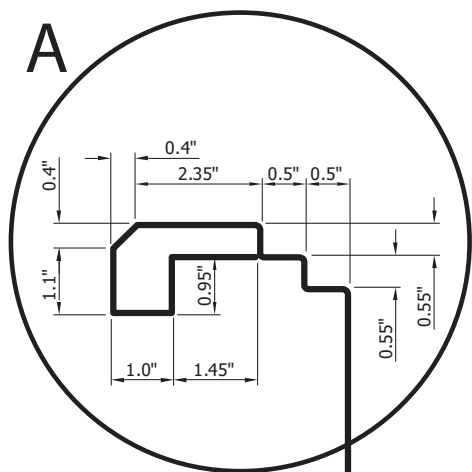
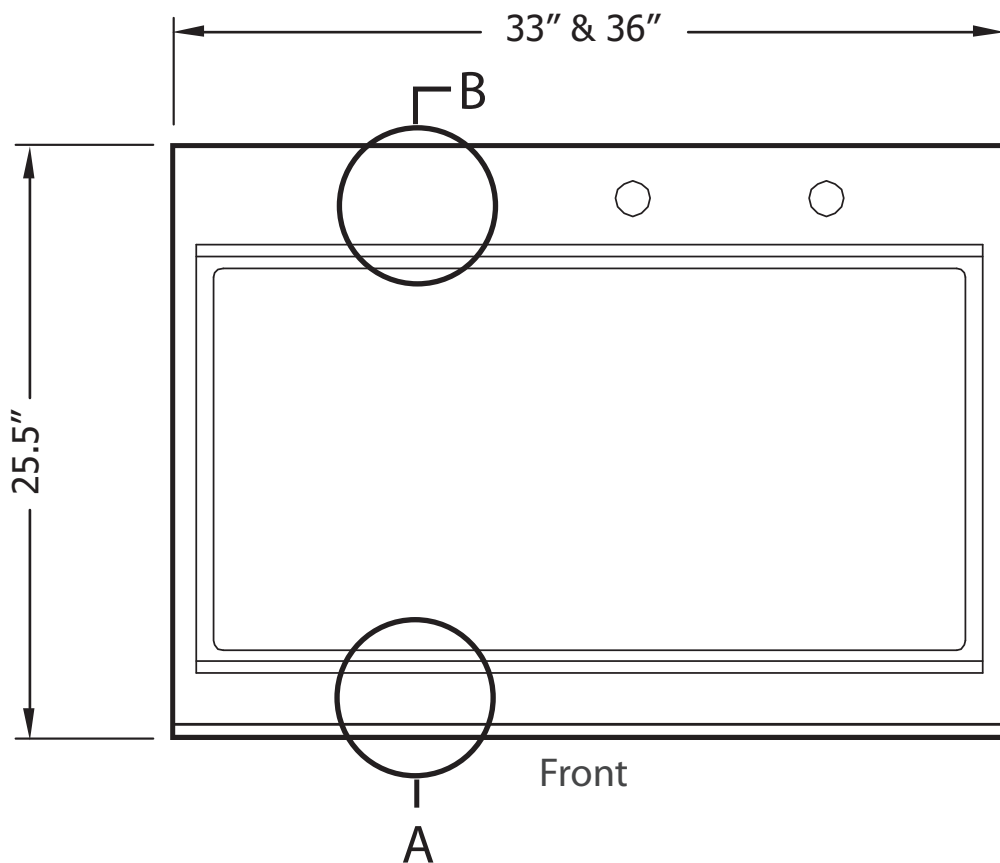
In addition to the Installation Instructions provided, American Standard has supplied the following items within the sink package:

- The Appliance Sink
- 3 1/2" stainless steel sink strainers
- The Appliance Sink accessories

THE APPLIANCE SINK

Sink Schematic

Schematic below indicates key dimensions of sink which are important for fit to cabinet and any necessary framing.

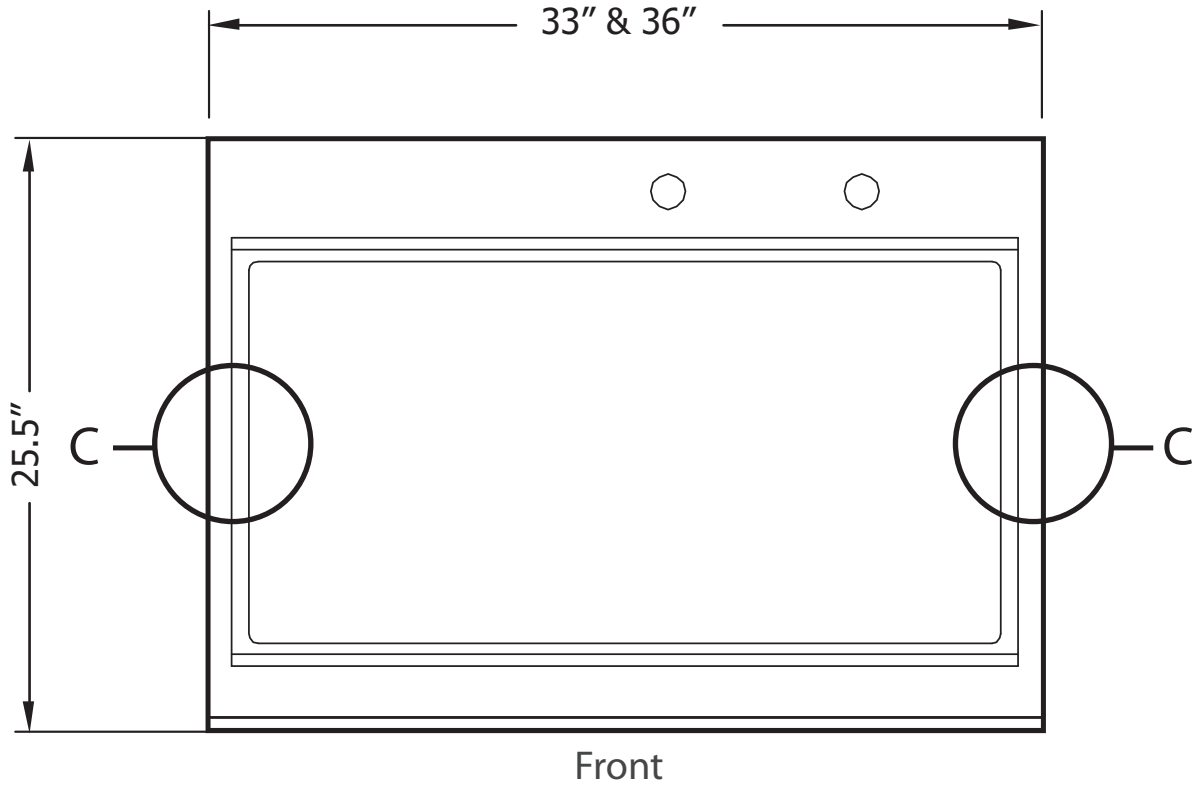


FRONT TO BACK CROSS SECTION

THE APPLIANCE SINK

Sink Schematic

Schematic below indicates key dimensions of sink which are important for fit to cabinet and any necessary framing.

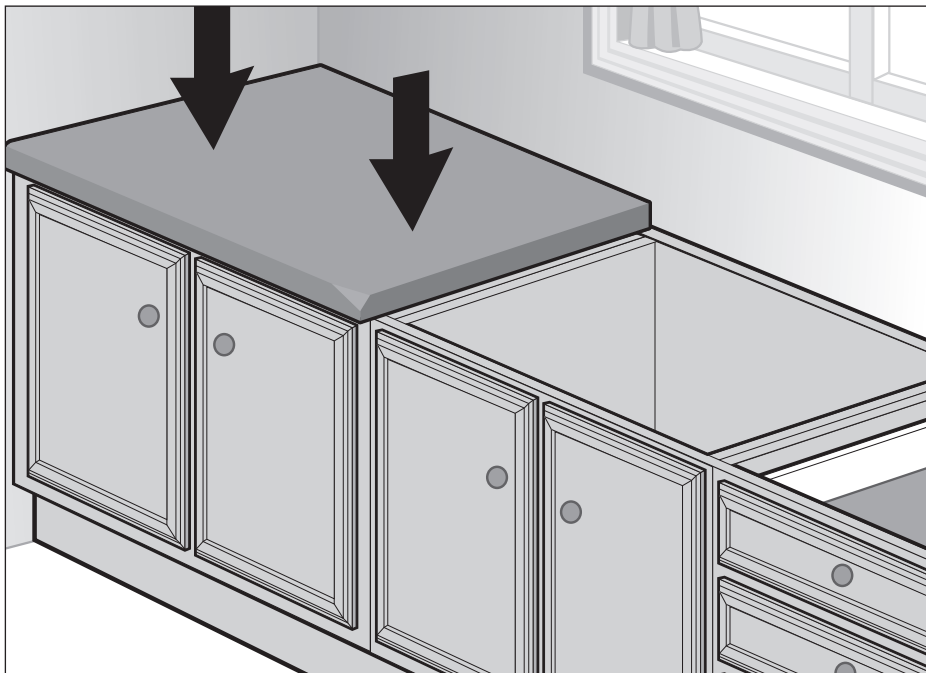


THE APPLIANCE SINK

Sink Installation Procedure

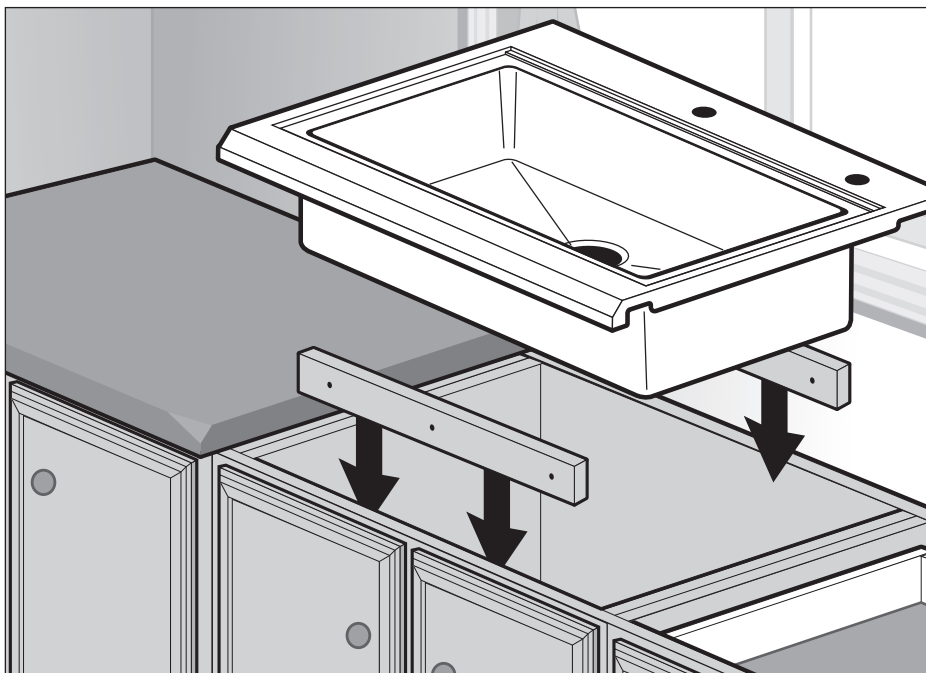
STEP ONE

Temporarily position countertop on cabinetary and level and shim to the desired height.



STEP TWO

Lower sink onto sink base cabinet unit and check that sink deck and countertop surface are at same elevation. If necessary, temporarily mount sink support framing (as shown in illustration 2) to level top surface of sink at same elevation as adjacent countertop surface.

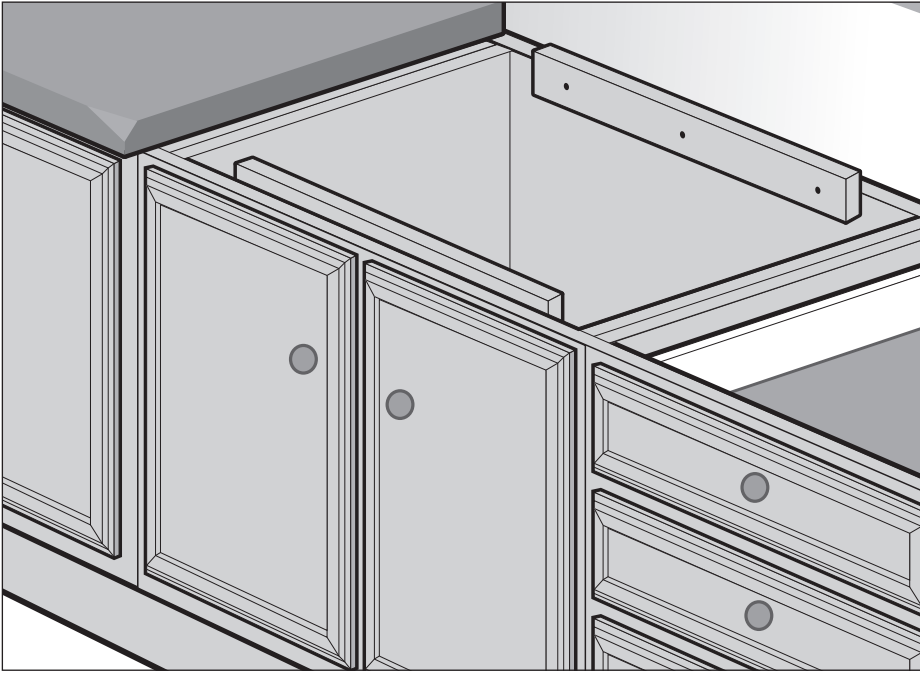


THE APPLIANCE SINK

Sink Installation Procedure

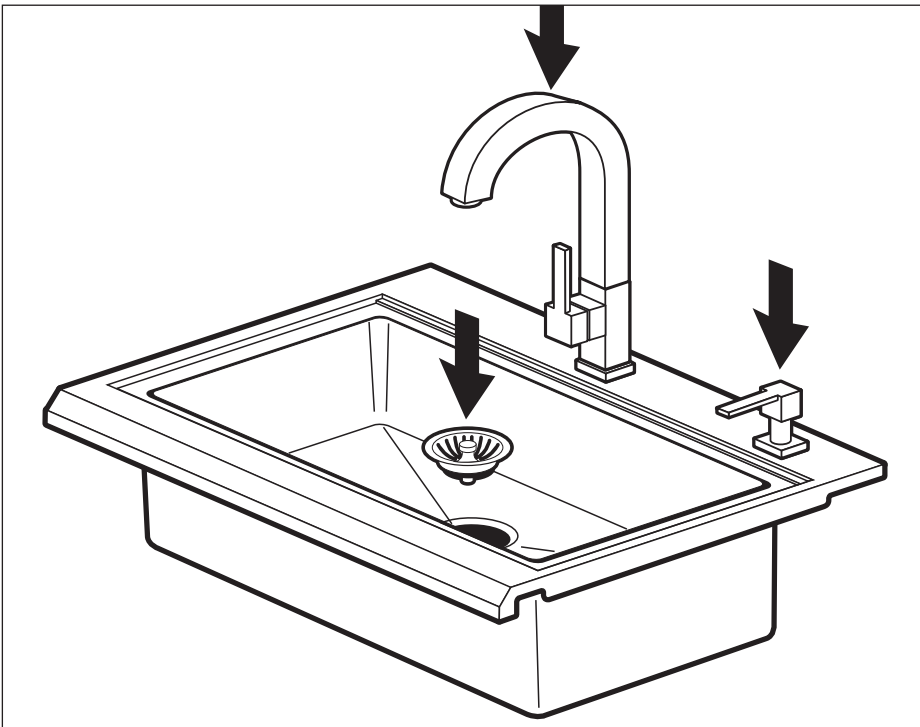
STEP THREE

Use wood screws to mount sink support framing to cabinet.



STEP FOUR

Mount sink faucet, soap dispenser, waste fittings (all sink fittings) to sink.

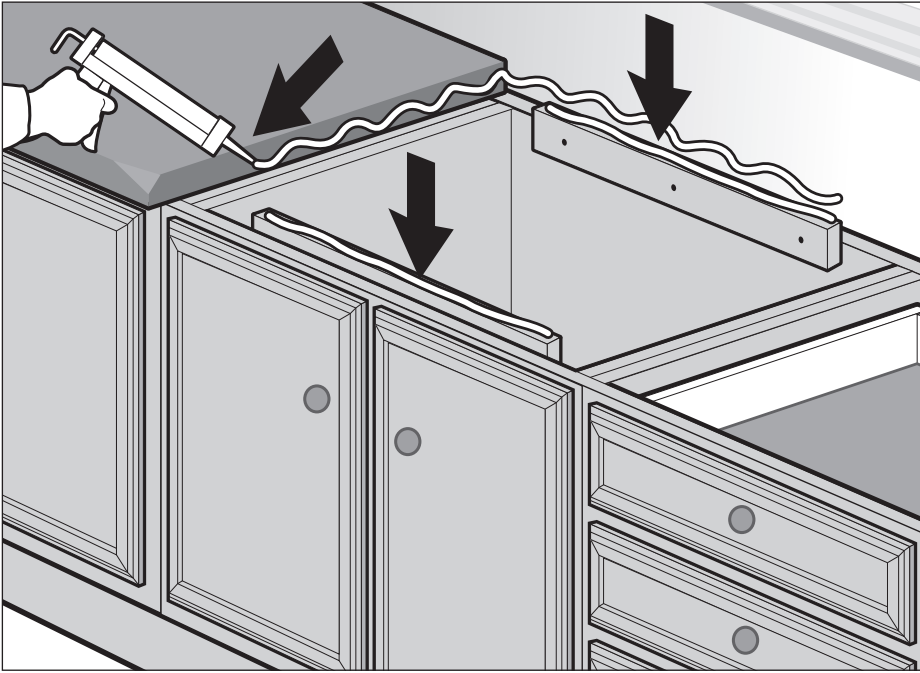


THE APPLIANCE SINK

Sink Installation Procedure

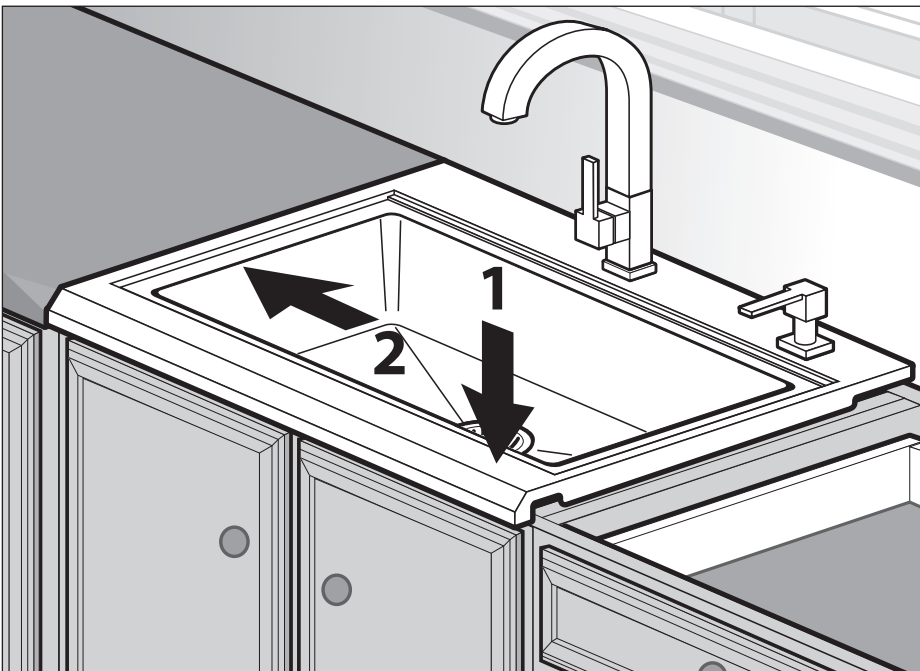
STEP FIVE

Apply bead of silicone to the edge of the adjacent countertop, along the back wall and to the top of the sink base cabinet unit.



STEP SIX

Lower the sink into position and centre on the base cabinet unit. Move countertop (if necessary) to ensure minimal gap with sink edge. Fix countertop into position.

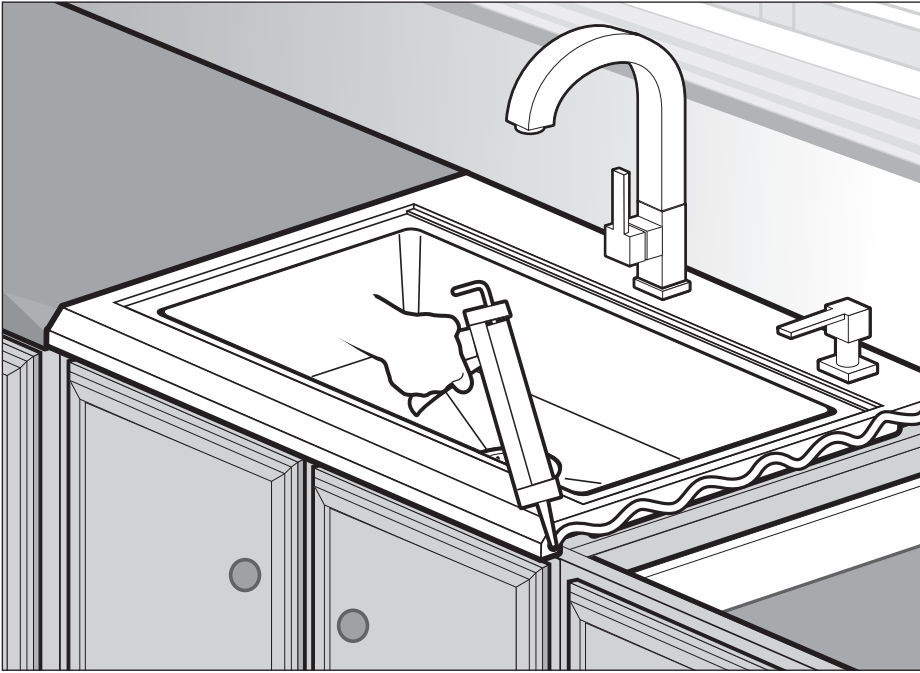


THE APPLIANCE SINK

Sink Installation Procedure

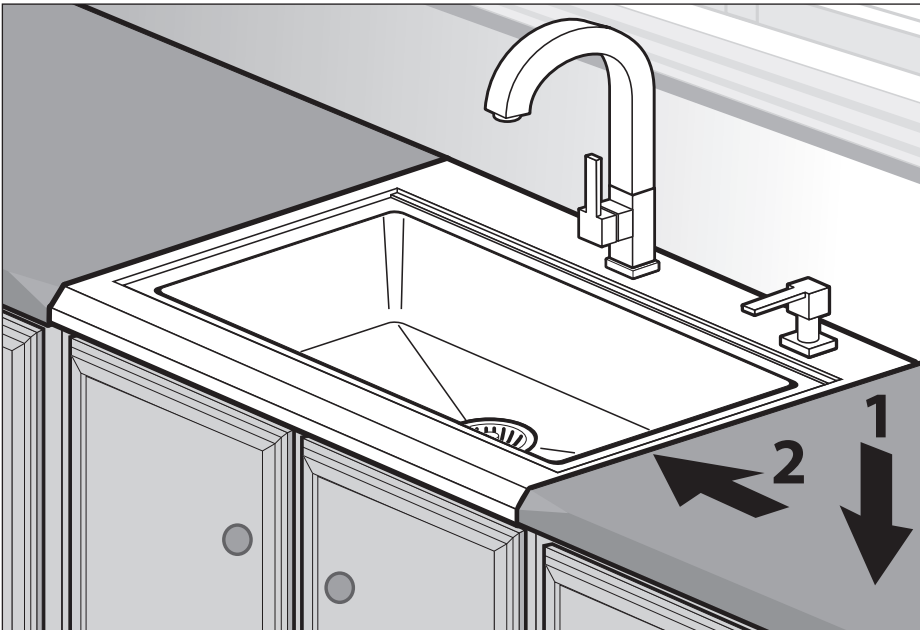
STEP SEVEN

Run a bead of silicone along sink edge.



STEP EIGHT

Level and shim countertop to desired height. Slide countertop flush to sink edge.



STEP NINE

Please take the necessary care to clean up the exposed silicone joints.
Please follow the manufacturer's instructions for completing installation of faucet and waste fittings.

American Standard

Call Customer Service

1-800-442-1902
Monday through Friday
8:00 A.M. to 7:30 P.M. EST

Technical Customer Service

1-800-442-1902
Monday through Friday
8:00 A.M. to 6:00 P.M. EST
Saturday
8:00 A.M. to 3:00 P.M. EST

Write Customer Service

Customer Care at American Standard
P.O. Box 6820
1 Centennial Plaza
Piscataway, NJ 08855-6820