

American Standard

# Installation Instructions

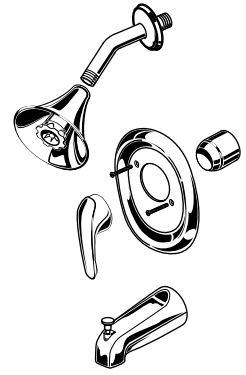
Seva™

## BATH AND SHOWER TRIM KITS

T480.508  
T480.507

Thank you for selecting American Standard...the benchmark of fine quality for over 100 years.

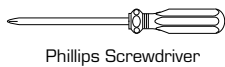
To ensure that your installation proceeds smoothly—please read these instructions carefully before you begin.



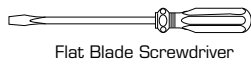
Certified to comply with ANSI A112.18.1  
U.S. Patent No. D403,750

M968698

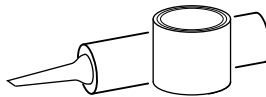
### RECOMMENDED TOOLS



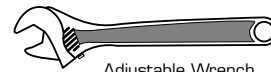
Phillips Screwdriver



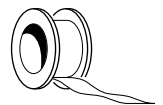
Flat Blade Screwdriver



Plumbers' Putty or Caulking



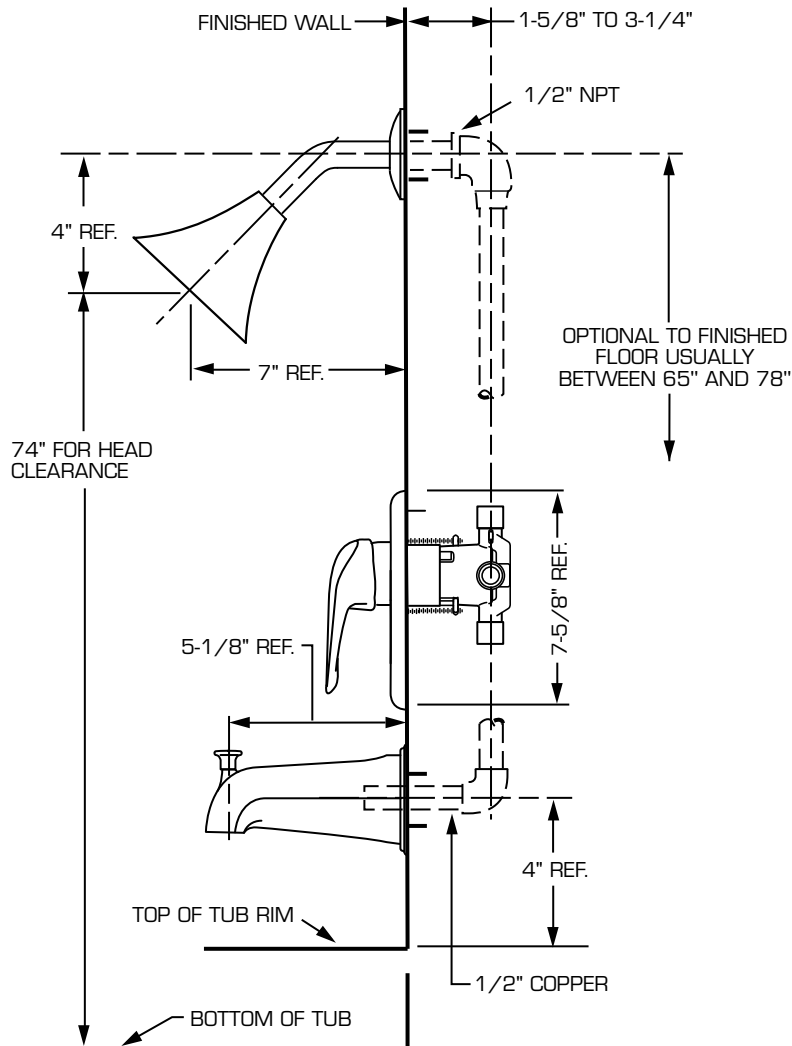
Adjustable Wrench



Teflon Tape

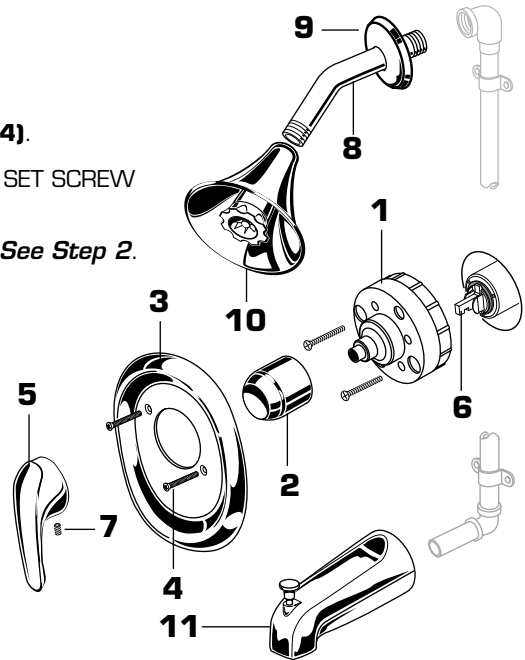
### ROUGHING-IN DIMENSIONS

■ FOR REFERENCE ONLY



# 1 INSTALL TRIM

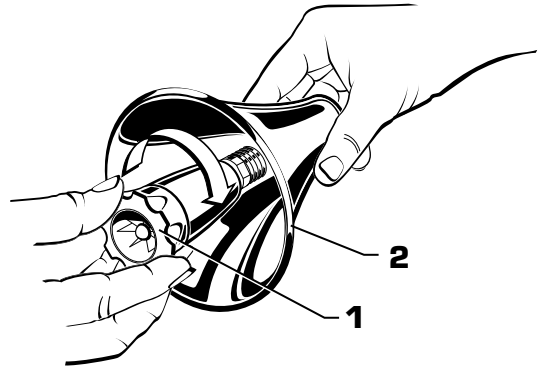
- Remove PLASTER GUARD (1).
- Push CAP (2) on valve, place ESCUTCHEON (3) and attach with SCREWS (4).
- Install HANDLE (5) by pushing it onto CARTRIDGE STEM (6) and tightening SET SCREW (7) from below.
- Install SHOWER ARM (8) with FLANGE (9). Install SHOWER HEAD (10). *See Step 2.*
- Check proper operation of HANDLE (5) and DIVERTER SPOUT (11).



# 2 INSTALL SHOWER HEAD ASSEMBLY

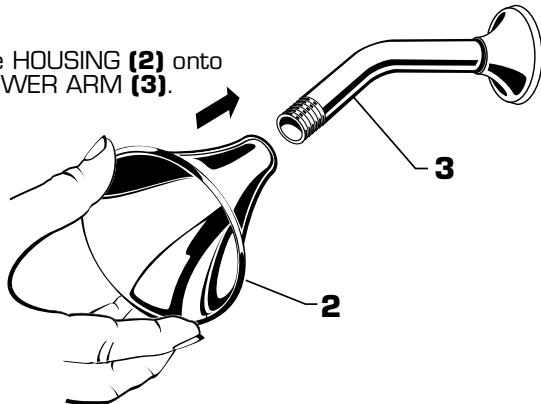
## REMOVE SHOWER HEAD FROM HOUSING

- Hold SHOWERHEAD (1) with one hand and HOUSING (2) with the other as illustrated.
- Rotate SHOWERHEAD (1) clockwise while holding HOUSING (2) stationary. **NOTE: The thread connection is a left hand thread.** Keep turning SHOWERHEAD (1) until it can be removed from the HOUSING (2).



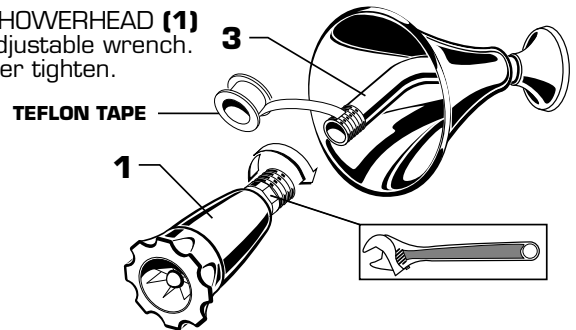
# 2a INSTALL HOUSING

- Slide HOUSING (2) onto SHOWER ARM (3).



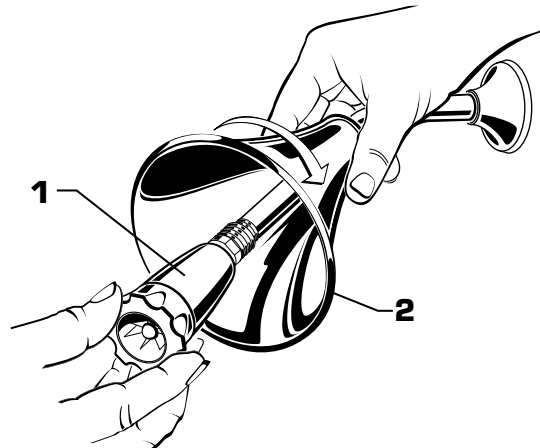
# 2b INSTALL SHOWER HEAD

- Rap SHOWER ARM (3) threads with Teflon tape.
- Tighten SHOWERHEAD (1) with an adjustable wrench. Do not over tighten.



# 2c INSTALL HOUSING TO SHOWER HEAD

- Install HOUSING (2) onto SHOWER HEAD (1). Thread HOUSING (2) counter-clockwise to install onto SHOWER HEAD (1). Hand tighten only.

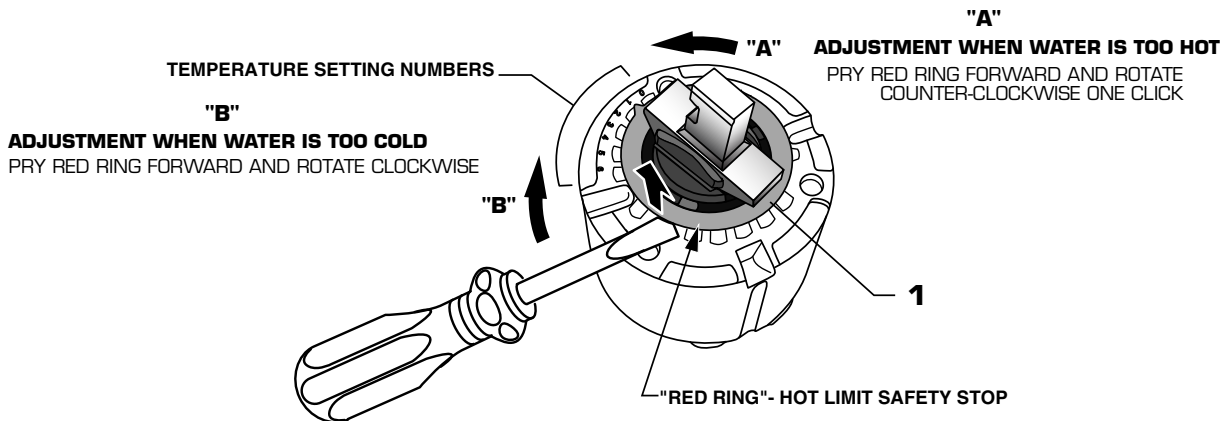


### 3 ADJUST HOT LIMIT STOP

#### HOT LIMIT SAFETY STOP ADJUSTMENT

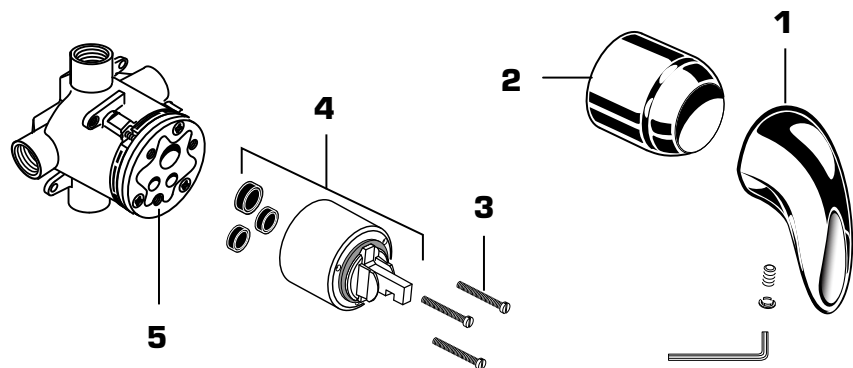
By restricting handle rotation and limiting the amount of hot water allowed to mix with the cold, the HOT LIMIT SAFETY STOP reduces risk of accidental scalding. To set the maximum hot water temperature of your faucets, all you need to do is adjust the setting on the HOT LIMIT SAFETY STOP.

- Use a flat blade screwdriver or your fingers to pull up and rotate red HOT LIMIT SAFETY STOP **(1)**. Follow Step "A" or "B" to adjust min./max. discharge temperature. "0" being the hottest to "7" the coldest temperature setting. Factory set at "0".



### 4 SERVICE

- If faucet drips, operate handle several times from "off" to "on". Do not apply excessive force.
- Clogged CARTRIDGE **(4)** inlets may cause reduced flow in "full on" hot or cold. To clean inlets, first turn off water supply, then:
  - Remove HANDLE **(1)**, CAP **(2)** and CARTRIDGE **(4)**. Clean inlets and MANIFOLD **(5)**.
  - Reassemble CARTRIDGE **(4)**, alternately tightening SCREWS **(3)**.
  - Replace CAP **(2)** and HANDLE **(1)**. Check flow.



#### CARE:

**DO: SIMPLY RINSE THE PRODUCT CLEAN WITH CLEAR WATER. DRY WITH A SOFT COTTON FLANNEL CLOTH.**

**DO NOT: DO NOT CLEAN THE PRODUCT WITH SOAPS, ACID, POLISH, ABRASIVES, HARSH CLEANERS, OR A CLOTH WITH A COARSE SURFACE.**