



**MODEL NUMBER:**

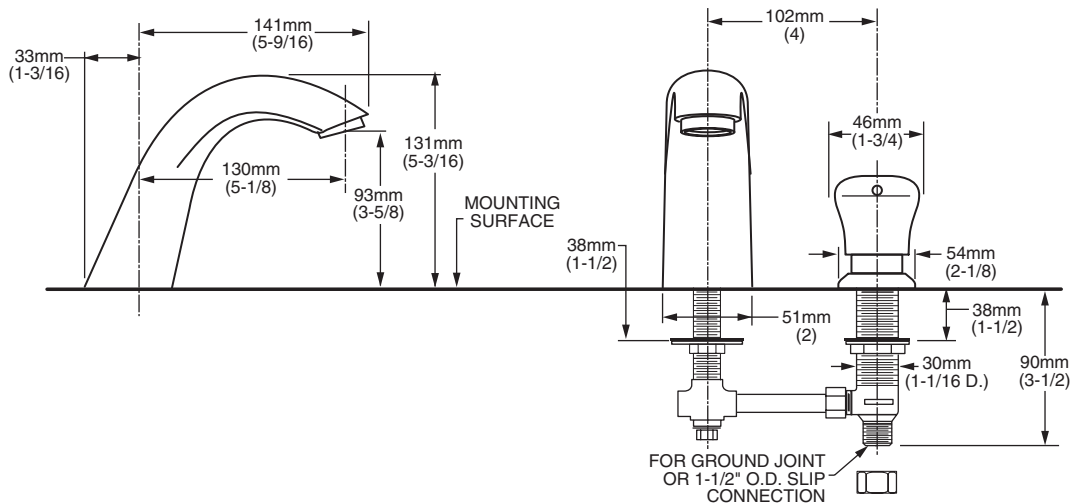
- **1340.725** Cast Spout One Valve, 1.5 GPM vandal resistant male aerator, no grid drain

**GENERAL DESCRIPTION:**

Metering conventional spout one valve faucet. Vandal resistant solid brass construction. Easy-push handle. Water conserving 1.5 GPM aerator set for a maximum of 0.25 gallon flow per activation. Replaceable cartridge. Adjustable flow cycle.

**PRODUCT FEATURES:**

- **Vandal-Resistant Brass Construction and Aerator:**  
Durable - Excellent in high use applications.
- **Automatic Shut-off:** Stops water and energy waste. Ideal for public restrooms where uncontrolled water usage is costly.
- **Meets ADA Standard:** Requires less than 5 lbs. of operating force to initiate flow per ANSI A117.1.
- **Single Handle Design:** Eliminates the possibility of scalding which can occur with two handle designs - when the cold side turns off before the hot.
- **Adjustable Flow Cycle**
- **Replaceable Valve Cartridge:** Facilitates simple replacement.
- **Mixing Valve** optional to be ordered separately.




**SUGGESTED SPECIFICATION**

Metering faucet shall feature a single handle vandal-resistant brass construction with a replaceable valve cartridge and an adjustable flow cycle. Shall also feature a vandal-resistant aerator which maintains flow below the maximum 0.25 gallons per cycle required by ANSI A112.18.1M. Push button activator shall meet ANSI A117.1 Standard. Fitting shall be American Standard Model # 1340.\_\_\_\_.

**CODES AND STANDARDS**

These products meet or exceed the following codes and standards:

- ANSI A117.1**
- ASME A112.18.1**
- CSA B 125**
- NSF 61/Section 9**

 Meets the American Disabilities Act Guidelines and **ANSI A117.1** Requirements for the physically challenged.

