

# INSTALLATION INSTRUCTIONS

## HURON BOWL WITH EVERCLEAN® ONE PIECE TOILET

Models 3312.001, 3313.001, 3341.001, 3342.001



American Standard

Thank you for selecting American Standard – the benchmark of fine quality for over 100 years. To ensure this product is installed properly, please read these instructions carefully before you begin. (Certain installations may require professional help.) Also be sure your installation conforms to local codes.

**CAUTION: PRODUCT IS FRAGILE. TWO PEOPLE ARE RECOMMENDED FOR HANDLING TO AVOID BREAKAGE AND POSSIBLE INJURY!**

**NOTE: Pictures may not exactly define contour of china and components.**

**NOTE: For proper operation these products require a minimum of 30 psi line pressure.**

### RECOMMENDED TOOLS AND MATERIALS

Putty Knife  
Hacksaw

Regular Screwdriver  
Wax Ring/Gasket

Adjustable Wrench  
Flexible Supply Tube

Sealant  
Closet Bolts

Tape Measure  
Carpenters Level

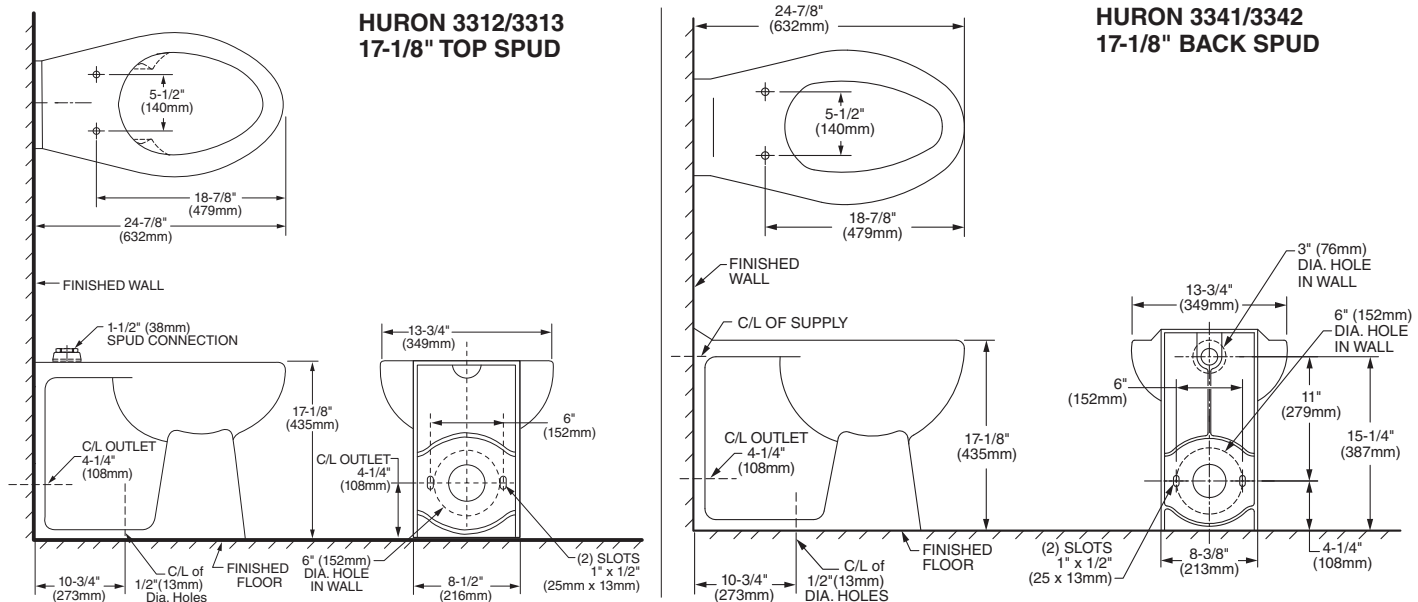
#### 1 REMOVE OLD TOILET:

- Close flush valve completely.
- NOTE: If replacing valve, first shut off main water supply!**
- Remove old mounting hardware, remove toilet and plug wall waste opening to prevent escaping sewer gases.
- Remove closet bolts from flange and clean away old wax, putty, etc. from base area.

**NOTE: Mounting surface must be clean and perpendicular to the floor before new toilet is installed!**

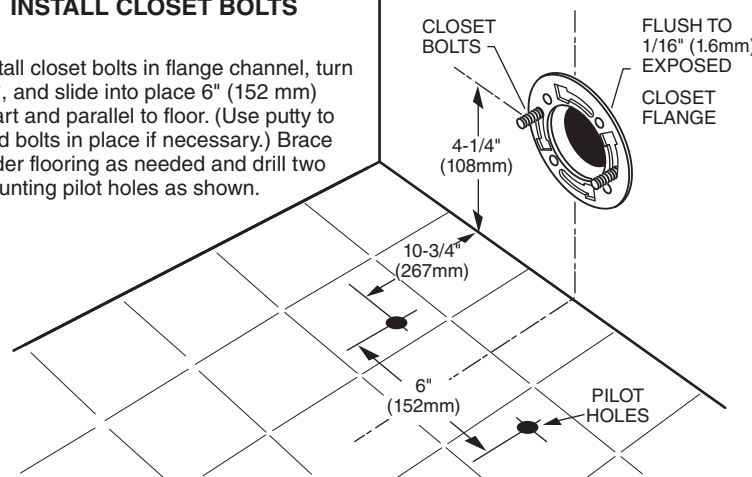
#### 2 DIMENSIONS (Nominal)

**NOTE: Distance from floor to closet flange centerline (rough-in) must be 4-1/4" (108 mm) with flange surface flush to 1/16" (1.6mm) max. beyond finished wall.**

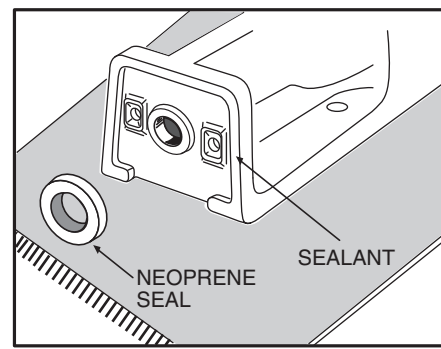


#### 3 INSTALL CLOSET BOLTS

Install closet bolts in flange channel, turn 90°, and slide into place 6" (152 mm) apart and parallel to floor. (Use putty to hold bolts in place if necessary.) Brace under flooring as needed and drill two mounting pilot holes as shown.



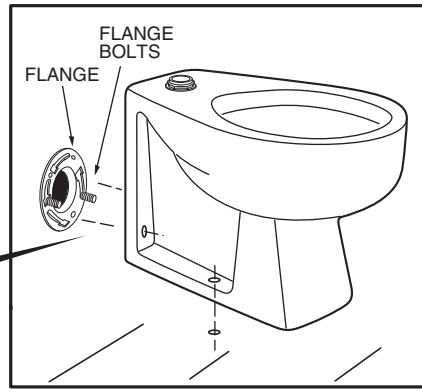
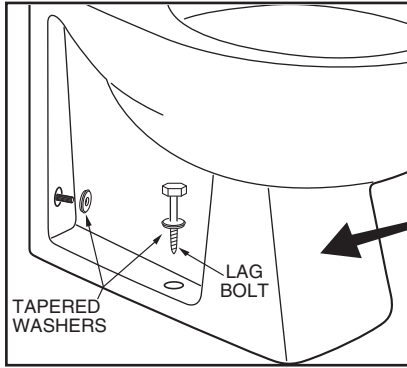
#### 4



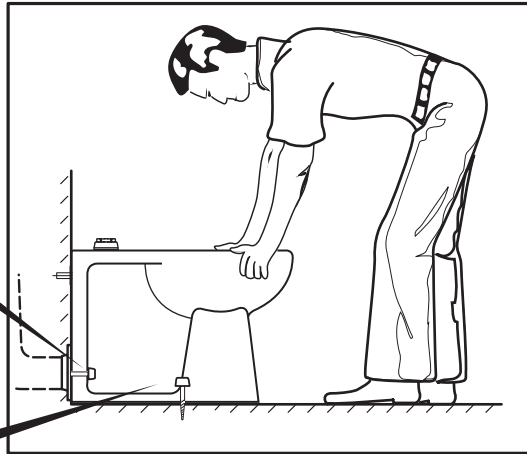
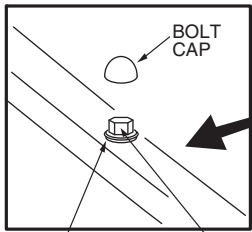
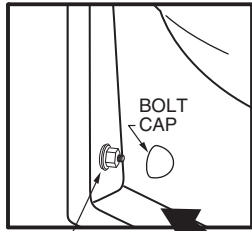
**INSTALL NEOPRENE OR GRAPHITE FELT SEAL\***  
Install seal evenly around waste flange (horn).  
Apply a thin bead of sealant around base flange.  
**\*NOTE: Wax seal not recommended for this application.**

SAVE FOR FUTURE USE



**5****INSTALL TOILET ON FLANGE**

- a. Unplug wall waste opening and slide toilet towards closet flange so bolts project through mounting holes.
- b. Loosely install retainer tapered washers and nuts. Side of washers marked "THIS SIDE UP" *must* face you!

**6****INSTALL TOILET**

- a. Position toilet squarely to wall and, with a rocking motion, push bowl against ring and flange. Alternately tighten nuts until toilet is firmly anchored.

**⚠ CAUTION: DO NOT OVERTIGHTEN NUTS OR BASE MAY BE DAMAGED!**

- b. Insert the tapered washers (supplied in the kit) into the lag bolts (not supplied). Insert bolts through mounting holes and tighten into pre-drilled floor openings.
- c. Install the bolt caps on tapered washers. (If necessary, cut wall bolt length to size before installing caps.)
- d. Smooth off the bead of sealant around base. Remove excess sealant.

**7 INSTALL TOILET SEAT**

Install toilet seat in accordance with manufacturer's directions.

**8 CARE AND CLEANING**

When cleaning your toilet, wash it with mild, soapy water, rinse thoroughly with clear water and dry with a soft cloth. Avoid detergents, disinfectants, or cleaning products in aerosol cans. NEVER use abrasive scouring powders or abrasive pads on your toilet seat. Some bathroom chemicals and cosmetics may damage the seat's finish.

**AS AMERICA, INC. ONE YEAR LIMITED WARRANTY**

If inspection of this AS America, Inc. ("American Standard") plumbing product, within one year after its initial purchase, confirms that it is defective in materials or workmanship, American Standard will repair or, at its option, exchange the product for a similar model.

This limited warranty applies only to the original purchaser and installation of these products. In the event of a limited warranty claim, proof of purchase will be required—save sales receipt.

This limited warranty does not apply to local building code compliance. Since local building codes vary considerably, the purchaser of this product should check with a local building or plumbing contractor to insure local code compliance before installation.

This limited warranty is void if the product has been moved from its initial place of installation; if it has been subjected to faulty maintenance, abuse, misuse, accident or other damages; if it was not installed in accordance with American Standard's instructions; or if it has been modified in a manner inconsistent with the product as shipped by American Standard.

American Standard's option to repair or exchange the product under this limited warranty does not cover any labor or other costs of removal or installation. IN NO EVENT WILL AMERICAN STANDARD BE LIABLE FOR THE COST OF REPAIR OR REPLACEMENT OF ANY INSTALLATION MATERIALS, INCLUDING BUT NOT LIMITED TO, TILES, MARBLE, ETC. American Standard will not be responsible for any other incidental or consequential damages attributable to a product defect or to the repair or exchange of a defective product, all of which are expressly excluded from this limited warranty. This limited warranty does not cover any liability for consequential or incidental damages, all of which are hereby expressly disclaimed, or the extension beyond the duration of this limited warranty of any implied limited warranties, including those of merchantability or fitness for an intended purpose. (Some states or provinces do not allow the exclusion or limitation of implied limited warranties, so this exclusion may not apply to you.)

This limited warranty gives you specific legal rights. You may have other statutory rights that vary from state to state or from province to province, in which case this limited warranty does not affect such statutory rights.

**In the United States:**  
American Standard Brands  
P.O. Box 6820  
Piscataway, New Jersey 08855  
Attention: Director of Customer Care  
For residents of the United States, warranty information may also be obtained by calling the following toll free number: (800) 442-1902  
[www.americanstandard.com](http://www.americanstandard.com)

**In Canada:**  
AS Canada, ULC  
5900 Avebury Rd.  
Mississauga, Ontario  
Canada L5R 3M3  
Toll Free: (800) 387-0369  
[www.americanstandard.ca](http://www.americanstandard.ca)

**In Mexico:**  
American Standard B&K Mexico  
S. de R.L. de C.V.  
Via Morelos #330  
Col. Santa Clara  
Ecatepec 55540 Edo. Mexico  
Toll Free: 01-800-839-1200  
[www.americanstandard.com.mx](http://www.americanstandard.com.mx)

**THIS WARRANTY IS NOT TRANSFERABLE FROM ORIGINAL CONSUMER PURCHASER.**