

### WASHBROOK® FloWise® 0.125 GPF HIGH EFFICIENCY URINAL SYSTEM

- ❑ **6590.530** 0.125 gpf Exposed Top Spud Urinal and Selectronic® Exposed AC Urinal Flush Valve

#### URINAL:

- Vitreous china
- Ultra High Efficiency, Low Consumption. Operates in the range of 0.125 gpf to 1.0 gpf (0.5 Lpf to 3.8 Lpf)
- Flushing rim
- Elongated 14" rim from finished wall
- Washout flush action
- Extended sides for privacy
- 3/4" inlet spud
- Outlet connection threaded 2" inside (NPTF)
- Strainer included
- Meets ASME flush requirements at 0.125 gpf
- Model 6590.001 top spud

#### SELECTRONIC® FLUSH VALVE:

- Exclusive Pressure Compensation feature eliminates the need for the installer to adjust the stop valves, saving time and money
- Flush volume stays constant throughout the pressure range
- Electronic flush valve with Selectronic proximity system for hygienic "Hands Free" operation
- Self-Cleaning Piston with integral wiper spring helps prevent clogging and reduces maintenance
- Piston operation delivers superior flush accuracy and repeatability
- Fully Mechanical Manual Override - allows valve to flush during a power failure
- Fail-Safe Operation - valve automatically closes, and does not need to be reset, on loss of power or water pressure
- Adjustable Sanitary Flush - valve automatically flushes after 24 hours of non-use to clean fixture & maintain trap seal
- Chemical resistant EPDM seals are unaffected by chloramines
- Sensor & electronic controls are fully enclosed and water resistant
- Range can be adjusted manually or with optional remote control
- Includes UL approved hardwired AC transformer
- Input Voltage: 100 - 250 VAC, 50 / 60 Hz.  
Output Voltage: 6 VDC.
- Adjustable tailpiece for rough-in flexibility
- Can be installed left or right hand
- Model 6062013.002

#### Includes:

- 2 Wall hangers
- 3/4" I.P.S. angle stop with back-flow protection and vandal-resistant cap
- 3/4" sweat solder kit including cover tube and wall flange
- 3/4" vacuum breaker, spud coupling and flange



SEE REVERSE FOR ROUGHING-IN DIMENSIONS

#### To Be Specified:

- ❑ Color: ❑ White

#### High-Efficiency Urinal System

- 87% water savings when compared to 1.0 gpf urinal systems

#### Operating Pressure:

Overall Range: 20-125 psi\*\*

Recommended: 20 psi (flowing)-80 psi (static)

\*\* Water pressure over 80 psi is not recommended for most plumbing fixtures.

#### Flow Requirement:

8gpm (30.3 L/min.)

#### Nominal Fixture Dimensions:

360 x 480 x 664mm (14-1/8" x 18-7/8" x 26-1/8")

#### Fixture Compliance Certifications -

#### Meets or Exceeds the Following Specifications:

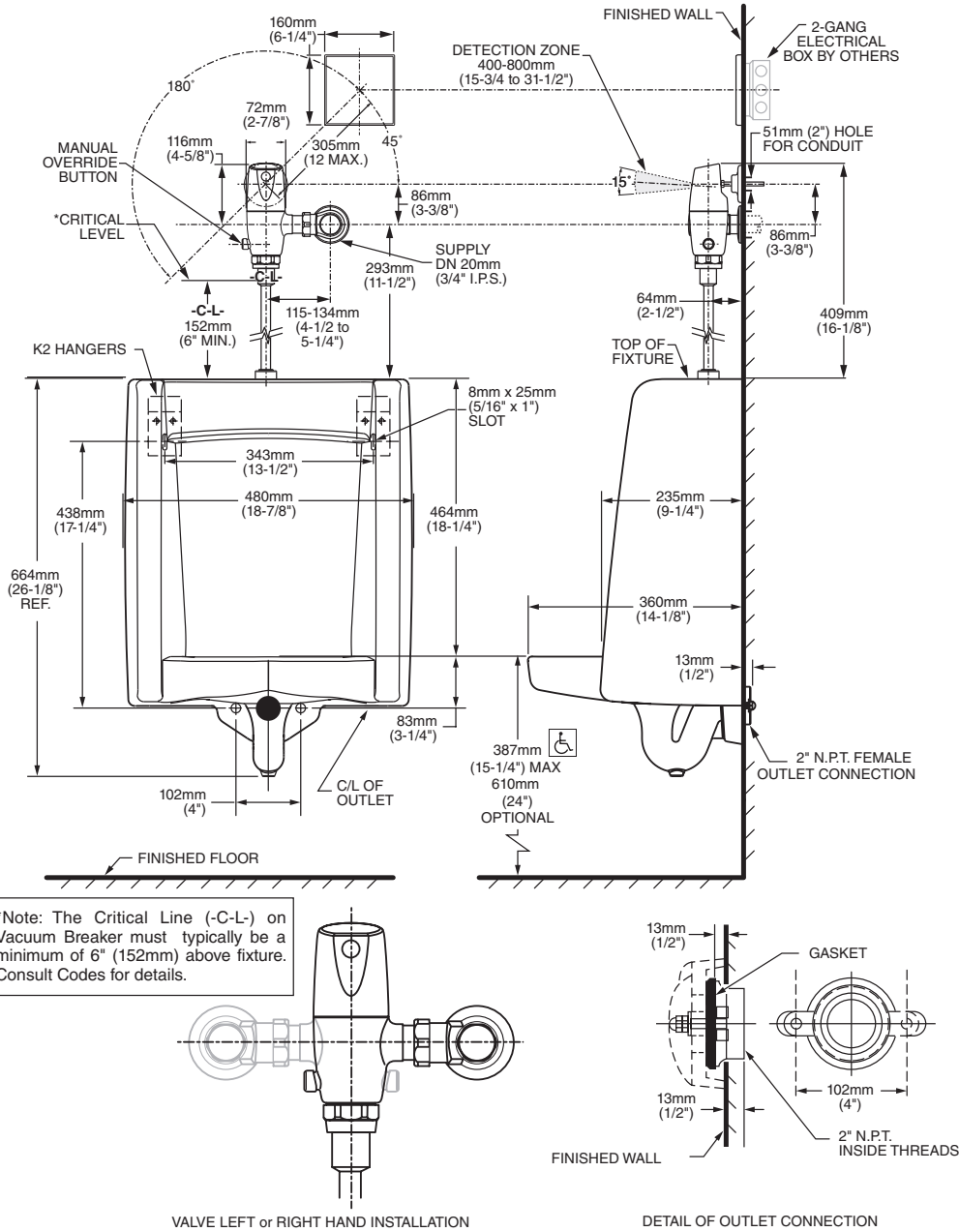
- ASME A112.19.2-2008/CSA B45.1-08 for Vitreous China Fixtures

#### Valve Listings:

- ASSE 1037
- ANSI/ASME A112.19.2
- ADA Compliant



**WASHBROOK® FloWise® 0.125 GPF  
HIGH EFFICIENCY URINAL SYSTEM  
SELECTRONIC® EXPOSED AC FLUSH VALVE**



**MEETS THE AMERICANS WITH DISABILITIES ACT GUIDELINES AND ANSI A117.1 ACCESSIBLE AND USABLE BUILDINGS AND FACILITIES - CHECK LOCAL CODES.**

- When installed so top of rim is 387mm (15-1/4") from finished floor.

**NOTES:**

PROVIDE SUITABLE REINFORCEMENT FOR ALL WALL SUPPORTS.

**IMPORTANT:** Dimensions of fixtures are nominal and may vary within the range of tolerances established by ANSI Standard A112.19.2. These measurements are subject to change or cancellation. No responsibility is assumed for use of superseded or voided pages.