

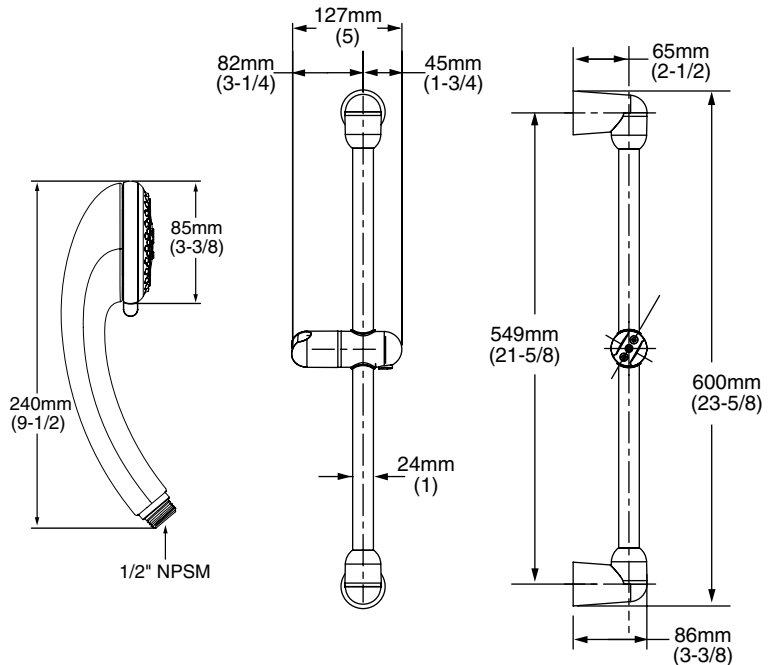
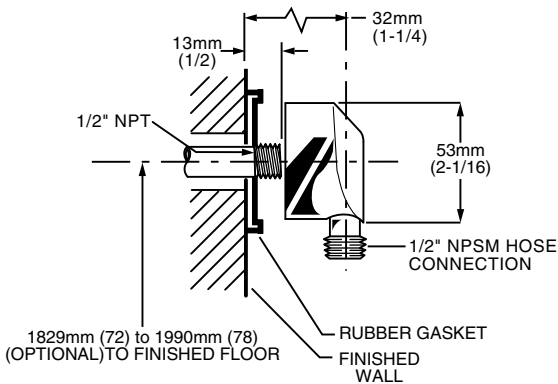


**MODEL NUMBER:**

☐ **1662.600 Shower System Kit**

Includes:

- Soft Handshower 1660.500
- Hose 8888.035
- Wall Supply 8888.037
- Standard Slide Bar 1660.225



**GENERAL DESCRIPTION:**

Complete personal shower system includes: a wall supply with 1/2" NPT female inlet, 1/2" NPSM male outlet; a 59" (1500mm) shower hose; a "Soft" personal shower; and a 25" Standard Slide Bar. Personal shower adjusts from a conventional spray to a gentle aerated flow. Spray pattern can be changed with the flick of the thumb. 2.5 gpm/9.5L/min. flow restrictor. Adjustable shower holder can be set at any height or position along the bar and angle up to 45°.

**PRODUCT FEATURES:**

**PERSONAL SHOWER**

**Lightweight, Ergonomic Design:** For a sure grip even with wet, soapy hands.

**Simple Spray Pattern Adjustment:** Spray patterns can be changed with a flick of the thumb. A true one-handed operation.

**Variety of Spray Patterns:** Allows the user to select the type of spray best suited to their needs.

**SLIDE BAR**

**Simple Height Adjustment:** Allows positioning of the personal shower anywhere along the bar.

**SELECTION OF FINISHES**

**Available Finishes:** Wide range of durable finishes.

**SUGGESTED SPECIFICATION:**

Shower system shall feature a wall supply with 1/2" NPT female inlets, 1/2" NPSM male outlet, 59" hose, personal shower and a 25" Standard Slide Bar. Personal shower shall be ergonomically designed for a positive grip even when wet. Spray pattern adjustment shall be performed with simple movement of thumb without need to change grip on handle. Fitting shall be American Standard Model # 1662.600.\_\_\_\_\_.

**CODES AND STANDARDS**

Install as required to comply with local code requirements.

**ASME A112.18.1**

Product Number	Description	Finish Options			
		Polished Chrome	PVD Blackened Bronze	PVD Polished Brass	PVD Satin Nickel
		002	068	099	295
1662.600	Shower System Kit. Contains "Soft" handshower, hose, wall supply and Deluxe Slide Bar.				