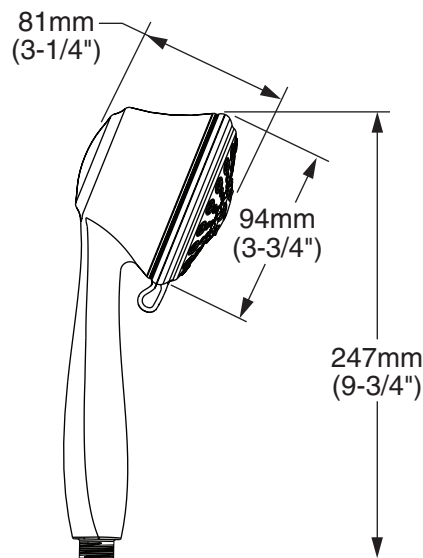


**MODEL NUMBER:**

1660.627 Traditional 5-Function Hand Shower



**GENERAL DESCRIPTION:**

5-Function hand shower. Spray pattern adjusts from full spray to full/massage combination (1) to pulsating massage to massage/mist combination (2) to power mist. Includes pressure compensating flow control device. Includes check valve to prevent cross flow of hot and cold water. Easy clean spray nozzles. 2.5gpm/9.5L/min. maximum flow rate.

**PRODUCT FEATURES:**

**Variety of Spray Patterns:** Allows the user to select the type of spray best suited to their needs.

**Pressure Compensating Flow Control Device:** Provides consistent flow over a wide pressure range.

**Simple Spray Pattern Adjustment:** Spray patterns can be changed with a flick of the thumb.

**Lightweight, Ergonomic Design:** For a sure grip even with wet, soapy hands.

**Easy Clean Spray Nozzles:** Easily clean lime and calcium buildup. Nozzles will not clog.

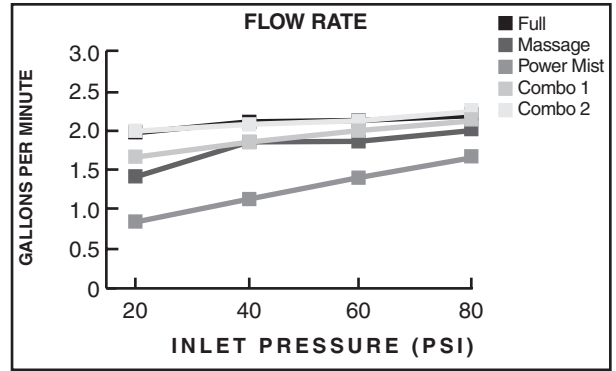
**SUGGESTED SPECIFICATION**

Hand Shower shall have at least 5 spray patterns. Hand Shower shall have a pressure compensating flow control device. Hand Shower shall include check valve to prevent cross flow of hot and cold water. Fitting shall be American Standard Model # 1660.627.\_\_\_\_.

**CODES AND STANDARDS**

These products meet or exceed the following codes and standards:

**ASME A112.18.1**  
**CSA 125.1**



Product Number	Description	Finish Options	
		Polished Chrome	PVD Satin Nickel
1660.627	Traditional 5-Function Hand Shower.	002	295