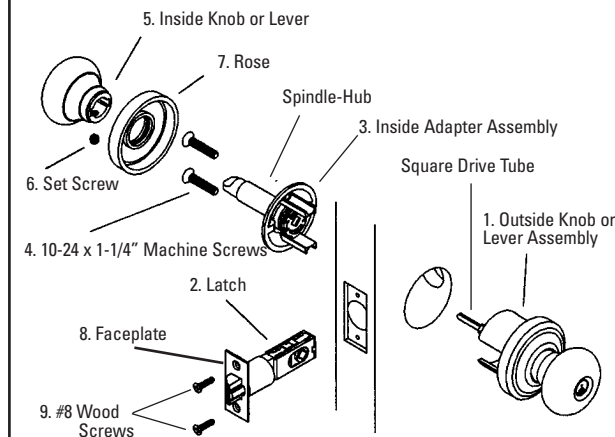


Keyed Entry Lockset Installation

Exploded View Keyed Entry Locksets



Parts Enclosed:

- | | |
|---|--------------------------------|
| 1. 1 Outside Knob or Lever Assembly | 6. 1 Pointed Set Screw |
| 2. 1 Adjustable Backset Deadlocking Latch | 7. 1 Rose |
| 3. 1 Inside Adapter Assembly - includes Spindle-Hub | 8. Faceplate |
| 4. 2 #10-24 x 1-1/4" Machine Screws | 9. 4 each #8 Wood Screws |
| 5. 1 Inside Knob or Lever | 10. 1 Strike - Not Shown |
| | 11. 1 Allen Wrench - Not Shown |

Tools Needed: Only Required for Doors Without Cutout

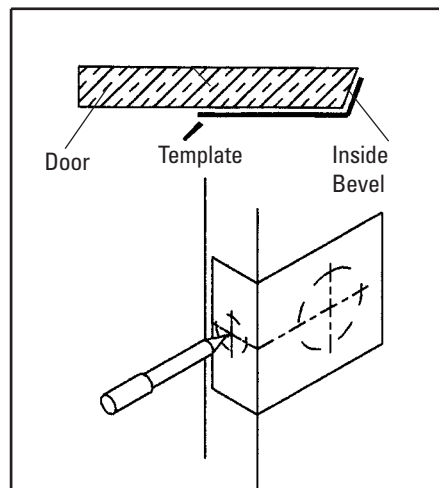
1. Electric Drill
2. 1/2" Chisel
3. 2-1/8" Hole Saw
4. 1" Spade Bit
5. Phillips Head Screwdriver

Tools Needed: Doors Prepared with 2-1/8" Cutout

1. Phillips Head Screwdriver

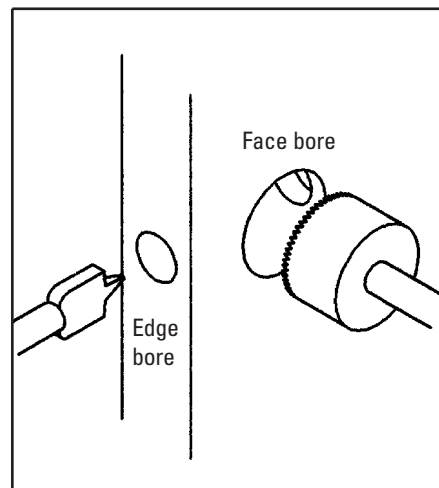
Door Preparation (If Door Already Has Holes Proceed To Step 6)

- 1 Before beginning to drill holes, measure up 38" from floor and mark heightline on edge of door in pencil. This will determine the height placement of the lock on the door.
- 2 Measure the thickness of the door. Mark the center point on the edge of door that intersects with the 38" heightline. This will determine where the latch hole must be drilled.
- 3 Use template and place on the face of the door. Mark the location of the desired backset in pencil. This should also be at the 38" heightline. Backset is the measurement of the distance from the edge of the door to the center of the knob or lever hole. 2-3/8" or 2-3/4".



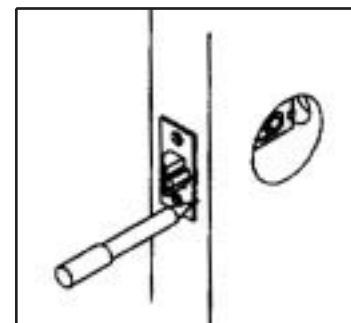
- 4 **Knob Hole-** Drill a 2-1/8" hole into the face of the door. Bore from both sides, to prevent damaging a wood door.

- 5 **Latch Hole-** Drill a 1" hole into the edge of the door at the point where the heightline and center of the door thickness meet. You have already marked this in step #2. If you are using a 2-3/8" backset drill hole 3-1/2" deep. If using a 2-3/4" drill a 3-7/8" hole. The latch is adjustable and works on both size backsets.

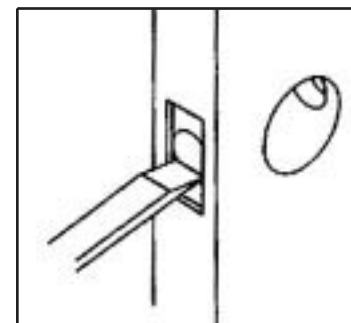


Keyed Entry Latch Installation

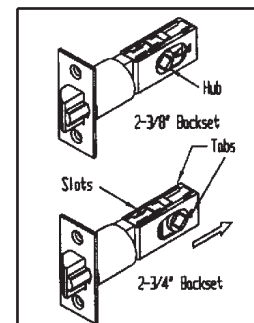
- 6 "Insert latch into the edge of the door. Trace the outline of the faceplate onto the door edge. Mark screw hole centers in pencil and drill with a 1/8" drill.



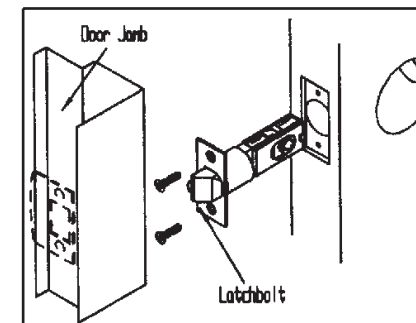
- 7 Chisel out the area marked for the faceplate in step 6 to a depth of 1/8" or until faceplate is flush with door edge



- 8 "Backset is the measurement from the edge of the door to the center of the 2-1/8" hole in the face of the door. Doors are available pre-bored in 2-3/8" or 2-3/4" backset. If your door is a 2-3/8" backset, adjustment is not necessary. If your door is a 2-3/4" backset, grasp the hubs lightly and pull to the rear of latch. **Note: If you made an error and need to re-adjust the latch back to 2-3/8" depress both sides and push hubs forward.**

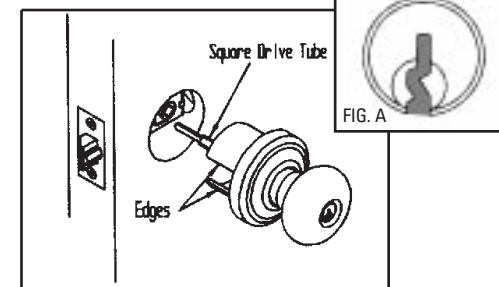


- 9 Slide the latch into the door with the angled side of the latchbolt facing the door jamb (deadlocking trigger toward the inside of house) and secure with the two #8 x 3/4" wood screws.

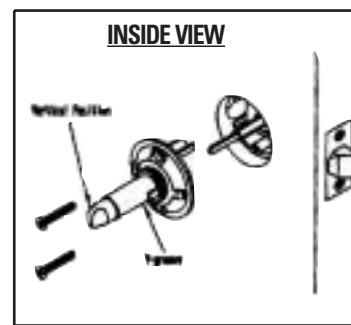


Keyed Entry Lockset Installation

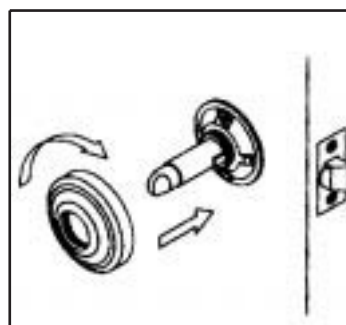
- 10 Install the outside knob or lever assembly by pressing the square drive tube through the square hole in the latch while sliding the edges of the adapter into the latch case slots. **NOTE: When installing locksets with outside knob make sure the key opening is positioned as shown in FIG. A This does not apply to outside levers.**



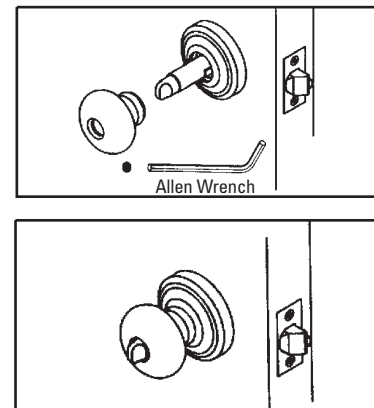
- 11 Next, install the inside adapter assembly with the "V" groove on the bottom and the turn knob vertical. Fasten it to the Outside Knob Assembly with two 10-24 x 1-1/4" machine screws.



- 12 Thread the rose onto the inside adapter clockwise until it is firmly seated against the door surface.

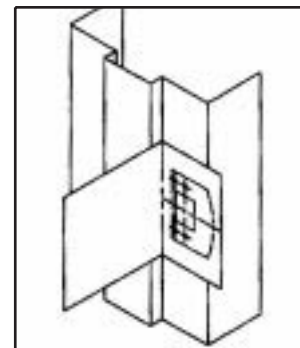


- 13 Slide the inside knob or lever onto the spindle hub and firmly tighten the set screw.

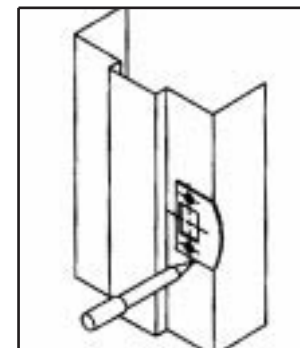


Strike Installation -Door Frame

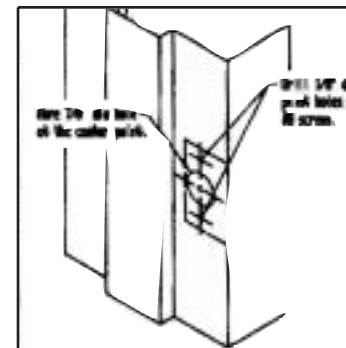
- 14 Using the strike portion of the marking template, locate and mark strike mounting screws and centering points for the door thickness.



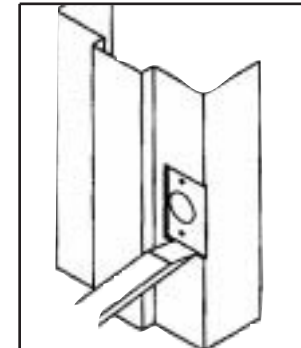
- 15 Align the strike and trace the outline onto the door frame using the mounting screw marks for location.



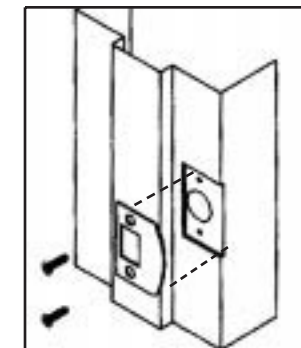
- 16 At the screw marks, drill two 1/8" diameter pilot holes for #8 x 3/4" screws. At the center point bore a 7/8" diameter hole 1" deep.



- 17 Chisel the area marked for the strike in step 2 to a depth of 1/16" or until the strike is flush with the door frame.



- 18 Install the strike.



Congratulations!

With your purchase of this solid brass lockset, you're among a group of discerning individuals who know the intrinsic value of selecting the finest – Baldwin.

Our step-by-step installation instructions will help guide you through your project quickly and easily.

Before you begin your installation, read and understand the installation instructions and marking templates. If you have any questions, please do not hesitate to contact our Baldwin Technical Services Department at 1-800-566-1986. We're here to help!

We thank you for your purchase and wish you the fullest enjoyment of your Baldwin lockset.

Technical Services Support

1-800-566-1986

Hours: 6am to Midnight C.S.T. - 7 days a week.

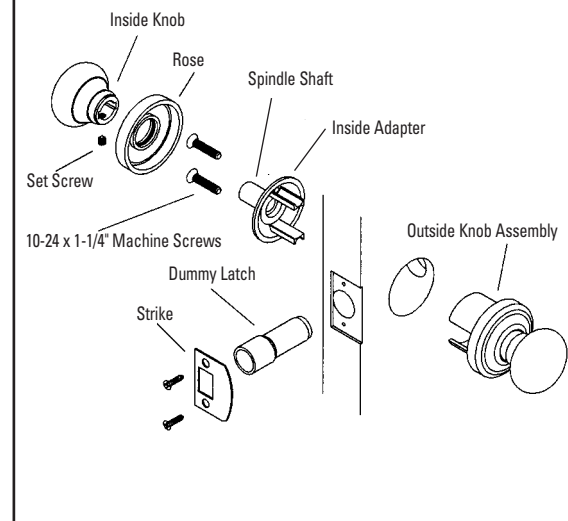
© Baldwin Hardware Corporation
P.O. Box 15048 Reading, PA 19612

PK-1138T (6/99)

TEAR HERE FOR ENGLISH INSTALLATION

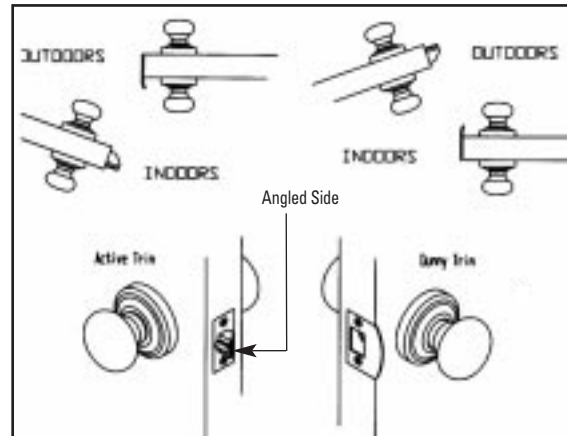
Dummy Installation

Exploded Views Keyed Entry Locksets



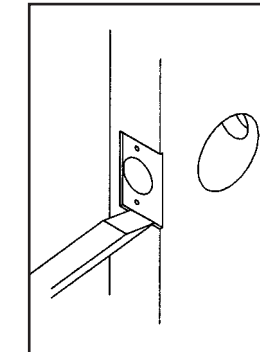
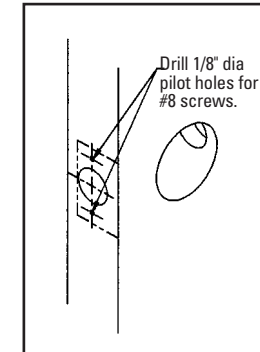
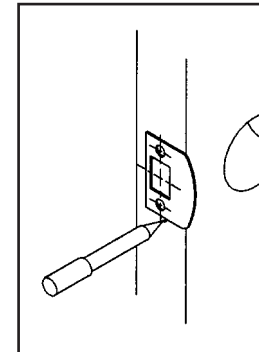
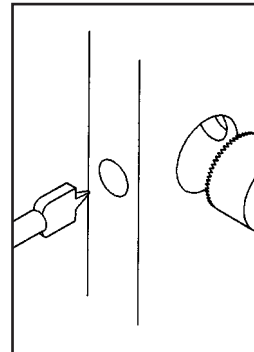
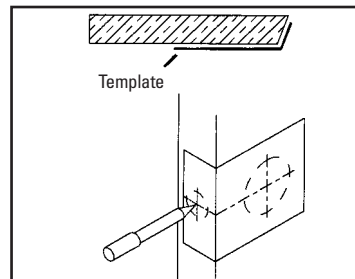
Dummy Strike Preparation

The strike needs to be installed in relationship to the direction that doors open. Whether the doors open in or out, the angled side of the latchbolt must **always** face towards the stationary door when the active door is in the open position. The strike is then positioned with the lip facing the curved side of the latchbolt as illustrated.



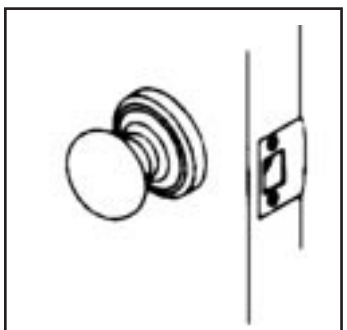
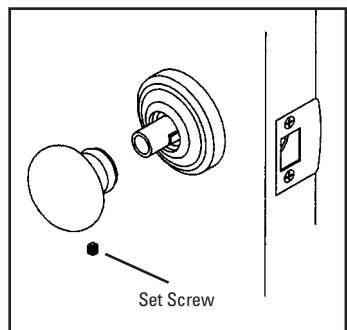
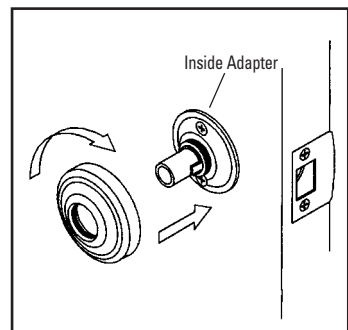
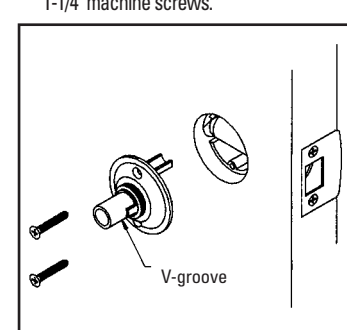
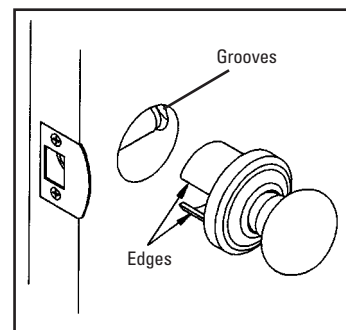
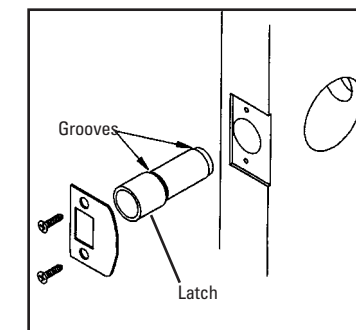
Door Preparation

- 1 Caution: Before proceeding with the Door Preparation, refer to the Dummy Strike Preparation Illustration to ensure that the curved section of the strike is positioned properly.** If your door is pre-bored proceed to Keyed Entry Lockset Installation - Step 1. Fold the template on the line and place on the door at the exact height of the previously installed Keyed Entry Lockset. If the door is beveled, place the folded edge on the low side of the bevel as shown in the illustration. Mark the door for the face and edge bores.
- 2 Caution: Re-check bore hole locations before drilling.** Drill the 2-1/8" diameter face bore through the door and the 1" diameter edge bore 3-1/2" deep for a 2-3/8" backset or 3-7/8" deep for a 2-3/4" backset. The dummy latch accommodates both size backsets.
- Align the strike and trace an outline onto the door frame using the mounting screw marks for location.
- At the screw marks, drill two 1/8" diameter pilot holes for #8 x 3/4" wood screws.
- Chisel the area marked for the strike in step 3 to a depth of 1/16" or until the strike is flush with the door frame. **Do not install the strike at this time.**



Dummy Function Keyed Entry Lockset Installation

- Now, press the dummy latch into the 1" diameter hole. Install the strike with two #8 x 3/4" wood screws.
- Install the outside knob assembly so the edges of the adapter engage the grooves in the dummy latch.
- Install the inside adapter with the spindle V-groove on the bottom and fasten to the outside knob assembly with two 10-24 x 1-1/4" machine screws.
- Turn the rose onto the adapter until it is firmly seated against the door surface.
- Slide the inside knob onto the spindle shaft and firmly tighten the set screw.
- Your Baldwin lockset is now ready for a lifetime of use. Guaranteed!



Remember Baldwin



With the completion of your project, remember that Baldwin quality hardware and giftware products are available for all your decorating and remodeling needs. Matching entrance sets for exterior doors, beautiful bath accessories, and a complete selection of cabinet and door-enhancing hardware are all available from your Baldwin retailer.



IMAGES®

Keyed Entry Locksets
Installation Instructions



BALDWIN®

PK- 1138T (6/99)