



BALDWIN®

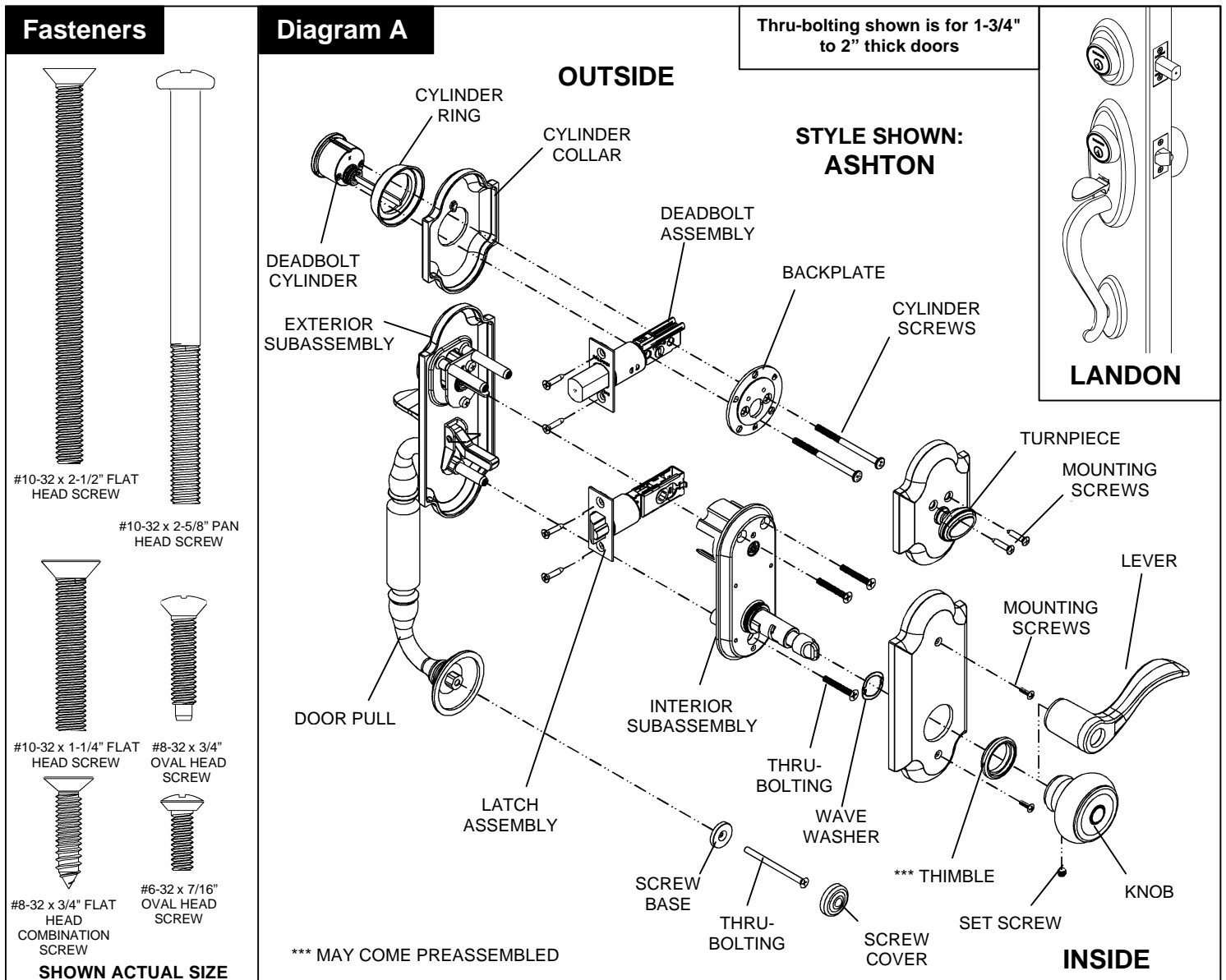
2-POINT TUBULAR LOCK INSTALLATION INSTRUCTIONS

TOOLS REQUIRED

1. Pencil
2. No. 2 and No. 3 Phillips Head Screwdrivers
3. No. 1 and No. 2 Slotted Screw Drivers
4. 1/8" Allen Head Wrench
5. 3/4" Wood Chisel or Corner Chisel
6. Measuring Device
7. Lock Face Template
8. Combination Square
9. Awl
10. Drill & Assorted Bits: 1/8", 5/32", 3/4", 1", 2-1/8"
11. Screw Wax or Soap
12. Powdered Chalk or Graphite

NOTE: In order to successfully install a tubular lock and trim, a minimum of average skill level is required with use of the above listed tools. Backset is located from low side of beveled door, please adjust accordingly for non-beveled doors.

Read and understand the provided instructions BEFORE attempting to mark or cut the door and/or frame. If there are any questions before you begin installation, phone or visit your nearest Baldwin Distributor or contact the Technical Service Department at Baldwin at 1-800-437-7448.



1 DETERMINE HOLE LOCATIONS & MARK THE DOOR

For non-prepped doors: Mark the door at 38" above finished floor. Fold the paper template and tape in place at the centerline of the lower 2-1/8" hole (C). Determine / Mark the backset & all other hole locations per the purchased style.

For factory prepped doors: Align template to existing holes and mark the lower 2-1/8" hole (C) and appropriate door pull location (D).

2 DRILL 2 POINT LOCK & DEADBOLT HOLES

For non-prepped doors: Remove the paper template. Using a 2-1/8" hole saw, bore the deadbolt (A) and 2 point lock (B & C) holes at the marked locations.

For factory prepped door: Only drill the lower 2-1/8" hole (C) and skip to Step 6.

3 DRILL EDGE HOLES FOR LATCH & DEADBOLT

Using the 1" spade bit, drill into the door edge at the marked locations.

**** Do not drill into lower 2-1/8" hole (C) ****

See below for depth.
2-3/8" BACKSET: 3-1/2" DEPTH
2-3/4" BACKSET: 3-7/8" DEPTH

4 SCORE FACEPLATE CHISEL GUIDES

Insert the deadbolt and latch assemblies into the door. Using a utility knife, carefully score around the faceplates of each assembly.

5 CHISEL FACEPLATE CAVITIES

Remove the deadbolt and latch assemblies. Chisel faceplate cavity 5/32" deep.

6 DRILL DOOR PULL HOLE

Drill door pull hole (D) as previously marked from door template (Step 1).

7 ADJUST LATCH & DEADBOLT FOR PROPER BACKSET

2-3/4" BACKSET:
 Latch: Pull latch hub laterally.
 Deadbolt: Twist the faceplate 180°.

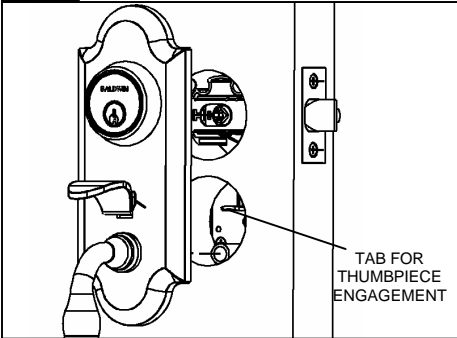
8 MOUNT DEADBOLT & LATCH ASSEMBLIES

Insert deadbolt & latch assemblies into door. Drill 1/8" pilot holes per faceplate locations. Secure with (4) #8 combination screws so faceplates are flush with door edge.

9 INSTALL INTERIOR SIDE TRIM

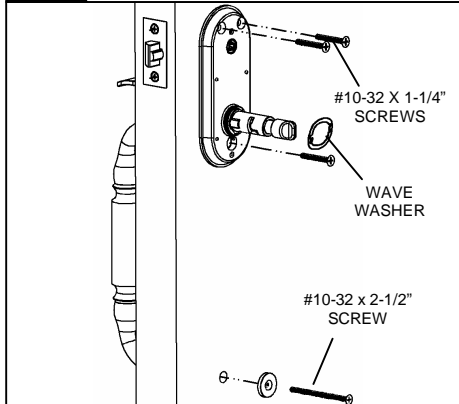
Mount interior trim. Insert spindle through latch hub and slide inside mechanism body over latch case.

10 INSTALL EXTERIOR ASSEMBLY



Install exterior assembly.
A) Turn tailpiece vertical
B) Insert cylinder tailpiece into spindle
C) Align screw posts with interior mechanism body.
D) Engage thumbpiece with interior mechanism. Thumbpiece arm must be under tab of interior mechanism.

11 INSTALL SCREWS



Install (3) #10-32 screws through interior assembly into exterior assembly screw posts. **DO NOT OVERTIGHTEN.** Ensure wave washer is installed over subassembly. Install bottom door pull thru-bolt.

12 CHECK ALIGNMENT & TEST OPERATION

Check alignment of exterior assembly with door edge.

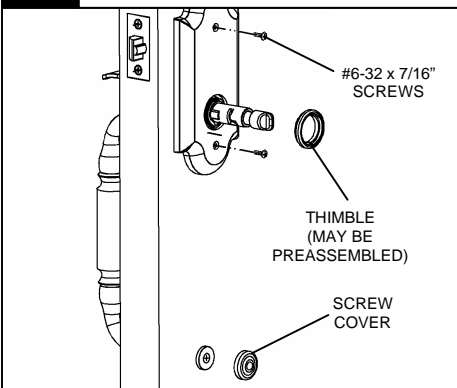
Test Operation:

- A) Operate thumbpiece to retract latch
- B) Temporarily place knob / lever over interior assembly to operate latch
- C) Push in & rotate turn button to lock thumbpiece.
- D) Insert key to test cylinder and retract latch.
- E) Unlock turn button and remove knob or lever

Note: If operation is binding / not smooth, loosen thru-bolting & do the following:

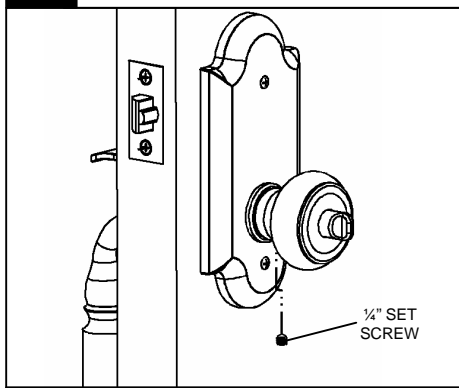
- A) Check tailpiece to spindle alignment
- B) Check spindle to latch alignment
- C) Realign interior and exterior assemblies to door edge.
- D) Retighten thru-bolting

13 INSTALL INTERIOR PLATE & SCREW COVER



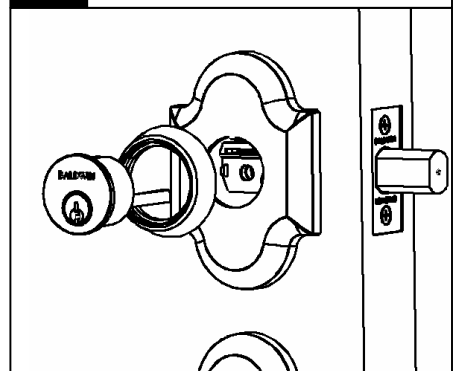
Install interior plate and thread thimble onto housing. Tighten with supplied tool. Secure interior plate with (2) #6 screws to interior mechanism. Install screw cover.

14 INSTALL KNOB / LEVER



Slide knob or lever onto the mechanism housing. Tighten 1/4" set screw with supplied allen wrench. Operate knob / lever, turn button, thumbpiece & cylinder.

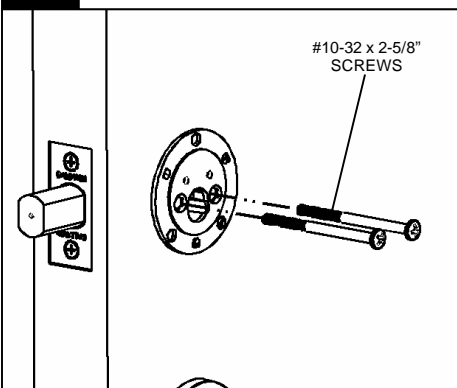
15 INSTALL DEADBOLT



Make sure deadbolt is thrown.

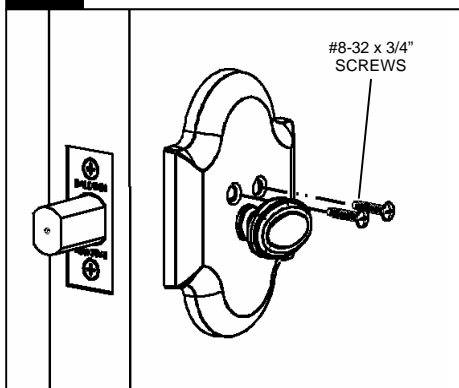
Slide cylinder assembly through the cylinder ring and collar. Insert tailpiece through hub in deadbolt assembly.

16 INSTALL MOUNTING PLATE



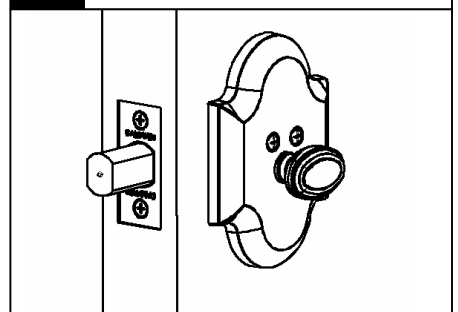
Place mounting plate over tailpiece. Insert (2) #10-32 x 2-5/8" long screws through plate, deadbolt assembly and into cylinder. Orient exterior plate properly. Tighten screws.

17 INSTALL DEADBOLT INTERIOR ASSEMBLY



Place interior deadbolt assembly over tailpiece. Secure with (2) #8-32 x 3/4" screws.

18 TEST DEADBOLT OPERATION



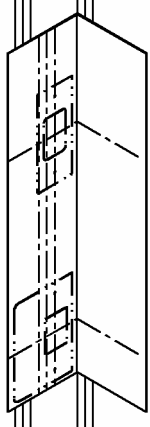
Operate turnpiece & cylinder to retract and throw deadbolt.

Note: If binding occurs do the following.

- A) Remove interior deadbolt assembly
- B) Loosen screws and adjust alignment
- C) Retighten screws
- D) Reinstall interior deadbolt assembly

STRIKE PLATE INSTALLATION

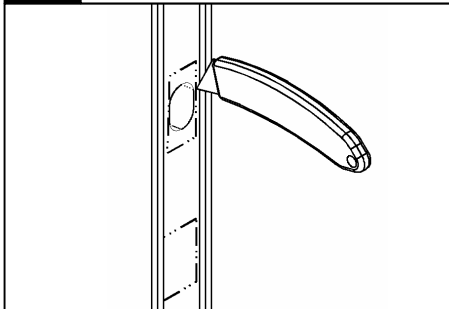
19 MARK JAMB WITH STRIKE TEMPLATE



* Apply any weather-stripping before installing strike(s).

Mark deadbolt with chalk, lipstick or pencil. Shut door and throw deadbolt to transfer location to doorjamb. Using the supplied template, align strike hole template with center point. Mark center holes of latch bolt and outer corners of both strikes with a pencil.

20 DRILL HOLES & SCORE STRIKE PLATE OUTLINES



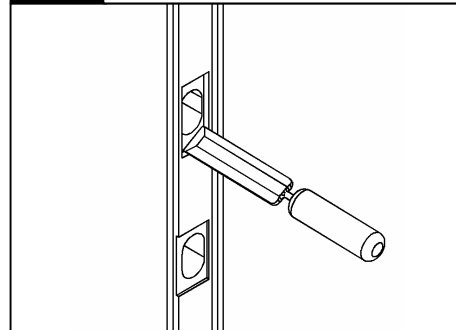
Mark drill point 5/16" above & below the center points.

Deadbolt: (2) 1" holes x 1-1/4" deep

Latch: (2) 1" holes x 1" deep

Very carefully score strike plate outlines with utility knife.

21 CHISEL STRIKE PLATE CAVITIES

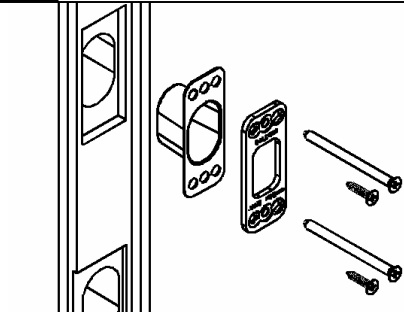


Chisel out strike plate cavities.

Deadbolt: cavity to be 7/32" deep

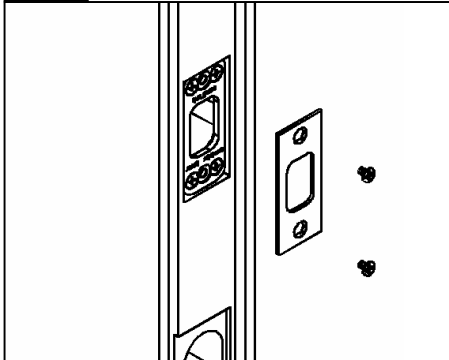
Latch: cavity to be 3/32" deep

22 INSTALL DEADBOLT DUST BOX & REINFORCING STRIKE



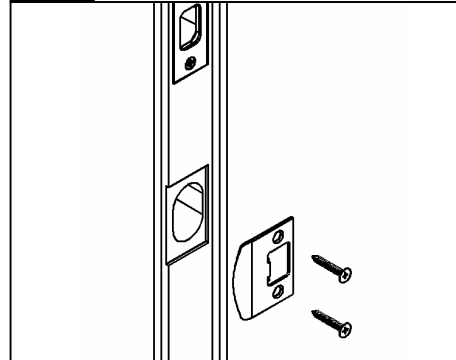
Using the reinforcing strike as a guide, pre-drill the screw holes. Install dust box and reinforcing strike. Ensure 3" screws for reinforcing strike are installed on the stop side of the plate.

23 INSTALL DEADBOLT STRIKE PLATE

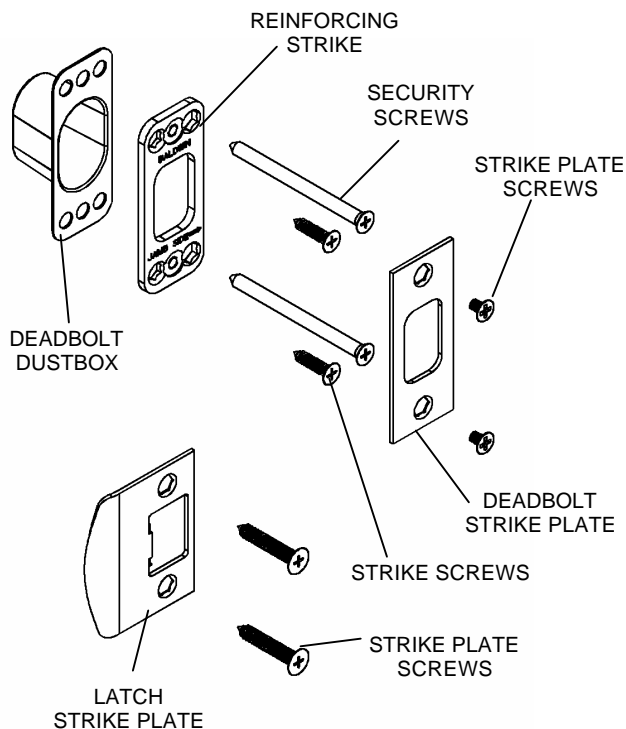


Install deadbolt strike plate.

24 INSTALL LATCH DUSTBOX & STRIKE PLATE



Using the strike as a guide, pre-drill the screw holes. Install strike plate.



General Notes:

Paper template is designed for 1-3/4" thick doors. For extra thick doors, measure backset from center of door edge. Tape supplied template to the door to locate placement of hole pattern of lock and trim. **** Paper template is located on the low side of the bevel on the door.**

When installing hardware on metal doors, ensure the door was designed to accommodate tubular locks. If in doubt, check with your local door distributor or door manufacturer.

Removal of hardware from doors is recommended before painting and finishing of the door. Allow finishing materials to fully cure before reinstalling hardware, usually ten days to two weeks. Check paint manufacturer instructions.

Retain these instructions in a safe place should you need to disassemble the lock trim or require Baldwin Hardware Corporation's assistance.