

Floor Mount Tub Filler with Handshower

Model LT400

Features

- Solid Brass Construction
- 1/4" Turn Ceramic Disc Cartridge
- 1/2" IPS Inlets
- 8" Centers
- Double Check Valves
- Limited Lifetime Warranty

Codes/Standards

Specified model meets or exceeds:

- ASME A112.18.1
- ADA compliance to ANSI A117.1
- CSA B125.1
- Energy Policy Act of 1992
- IAPMO cUPC® Listed



Specified Models:

Model #	Product Description
LT400	Floor Mount Tub Filler with Handshower and Metal Lever Handles - Polished Chrome
LT400-SN	Floor Mount Tub Filler with Handshower and Metal Lever Handles - Satin Nickel

Finish Codes:

Series Finish Codes

(Add to base model number, Example: LT400-SN)

Satin Nickel SN

Floor Mount Tub Filler with Handshower

Model LT400

Technical Information

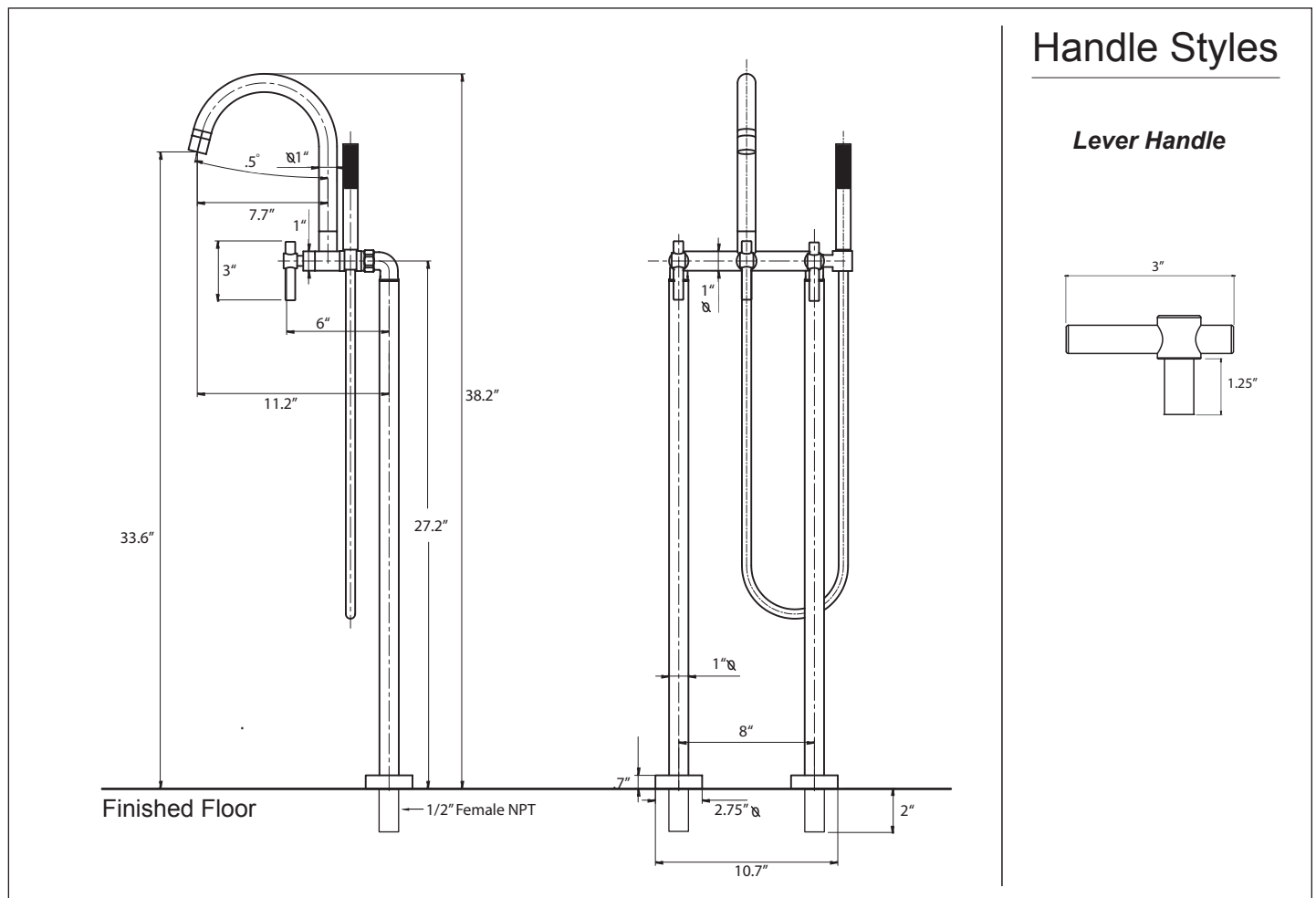
- Replacement parts available
- Toll-free helpline: 888-560-5222
- Flow Rate of tub filler:
9.3 PGM @ 45 psi
- Flow rate of handshower:
2.5 GPM @ 45 max
- 59" Handshower Hose

Installation Notes

- Recommended that this faucet is installed with support brace (Model # U-SBRC-XX)
- Requires a 1" diameter hole to be drilled in floor

Warranty

Limited lifetime function and finish warranty to the original consumer purchaser covering defects in material and workmanship. 5 Year limited warranty for all industrial and commercial applications. See complete warranty statement for details



All measurements are approximations and should be used for reference only. Your "other" Warehouse reserves the right to make specification and pricing changes without notice or obligation, and to change or discontinue models and finishes. All rights reserved © 2008

YOW-LT400
2 of 2



s c h ö n
brass works

Schön Brass Works
2900 Westfork Drive, Suite 300
Baton Rouge, LA 70827
800.880.8164
Fax: 225.215.9528