



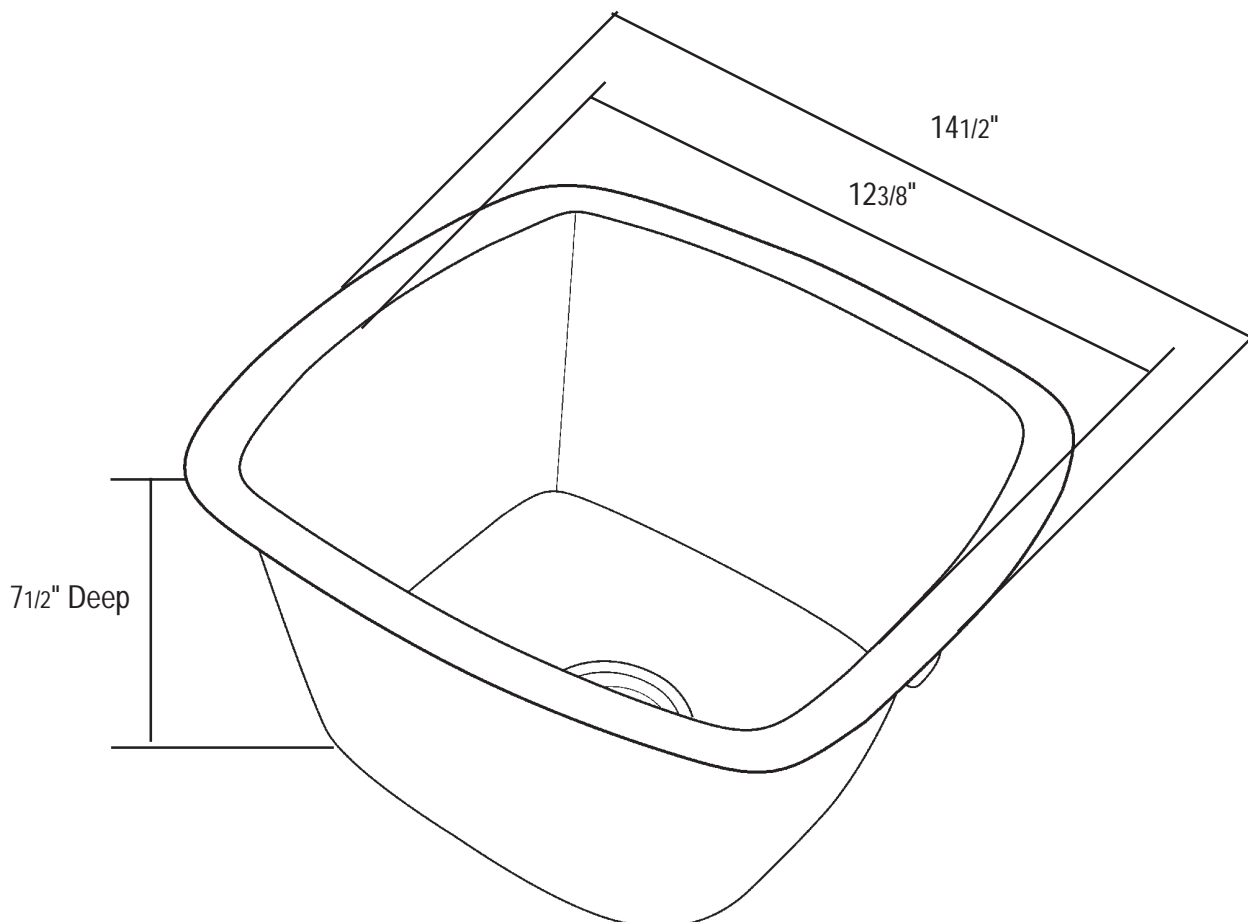
# Specifications for **BFC5KIT** **Copper Bar Basin**

Requires Kitchen basket strainer  
16 Gauge Copper

## Inside Dimensions

|                          |                                  |
|--------------------------|----------------------------------|
| At Rim(widest point):    | 12 <sup>3</sup> / <sub>8</sub> " |
| At Rim(corners):         | 10"                              |
| At Bottom(widest point): | 10"                              |
| At Bottom(corners):      | 9"                               |

**Belle Forêt copper basins are handmade and, therefore, overall dimensions may vary slightly from those listed on this specification sheet. It is strongly recommended that the actual basin to be installed be used as a cut-out template.**



Revised 8/22/03