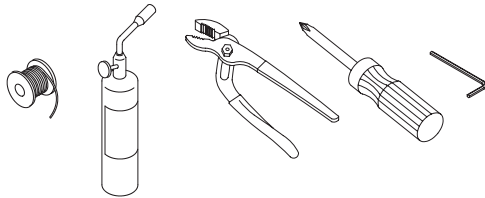


installation

For Models: N310 05, N310 06

Tools

- Propane torch
- Solder
- Groove joint plier
- Phillips screwdriver
- Hex wrench



Maintenance

Your new faucet is designed for years of trouble-free performance.

Keep it looking new by cleaning it periodically with a soft cloth.

Avoid abrasive cleaners, steel wool and harsh chemicals as these will dull the finish and void your warranty.

Safety Tips

- If you use soldering for the installation of the faucet, the seats, cartridges and washers will have to be removed before using flame. Otherwise, warranty will be void on these parts.
- Protect your eyes with safety glasses when cutting or soldering water supply line.
- Cover your drain to avoid losing parts.

Important points

Prior to beginning installation, turn off the cold and hot water lines and open the old faucet to release built-up pressure.

Things You May Need

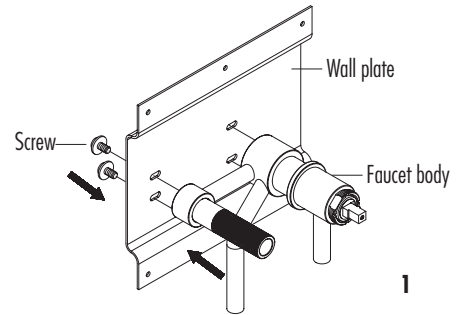
All installations can vary depending on how your previous faucet was installed. Necessary supplies to install your faucet are not all included; however, they are available wherever plumbing supplies are sold. When choosing your installation supplies, make sure they are IAPMO and/or CSA approved products.



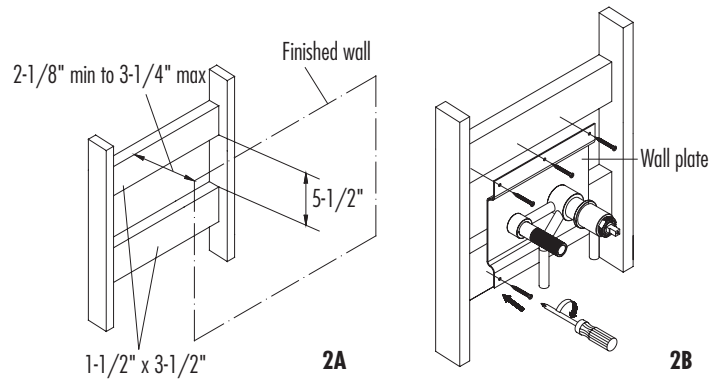
Belle Forêt
collection

Preparation/Assembly

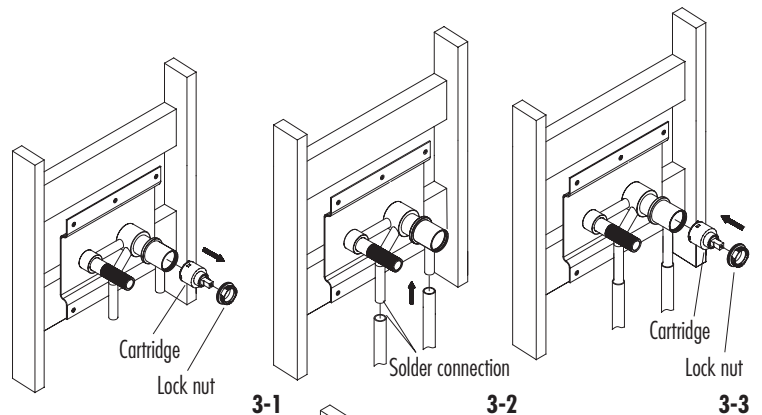
- 1** Shut off main water supply before installation.
Place faucet body on wall plate and secure with screws provided.



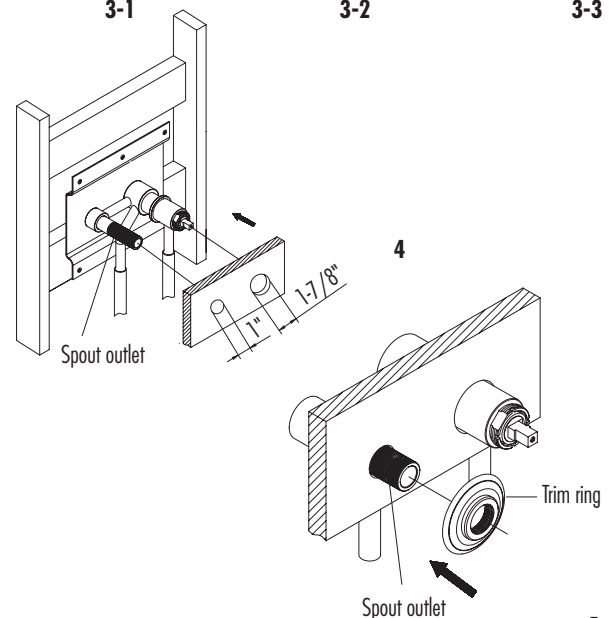
- 2** Construct suitable stud framing. Horizontal braces should be spaced 5 1/2" apart, and should be placed 2 1/8" min to 3 1/4" max depth from the finished wall. Secure the wall plate to stud framing with screws provided.



- 3** Remove adjusting ring and cartridge. Connect to 1/2" copper water supplies. Replace cartridge and secure with lock nut. Turn on water supply and faucet, and check for leaks. Place the plastic protective sleeves on the body.



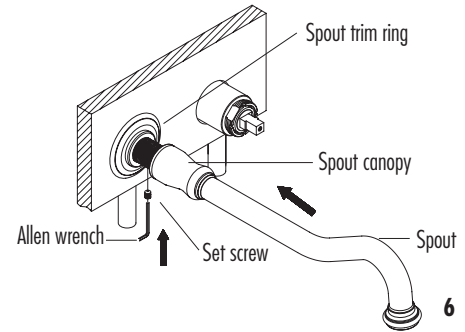
- 4** Complete finished wall, leaving a 1" diameter hole for the spout outlet, and a 1 7/8" hole for the cartridge & bonnet.



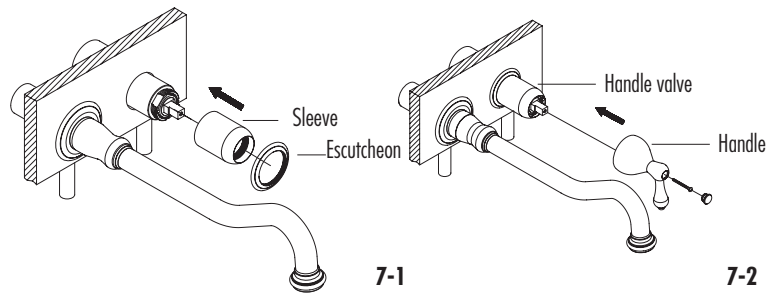
- 5** Remove the plastic protective sleeves. Thread spout trim ring on to spout outlet until it is flush to the wall.

Preparation/Assembly

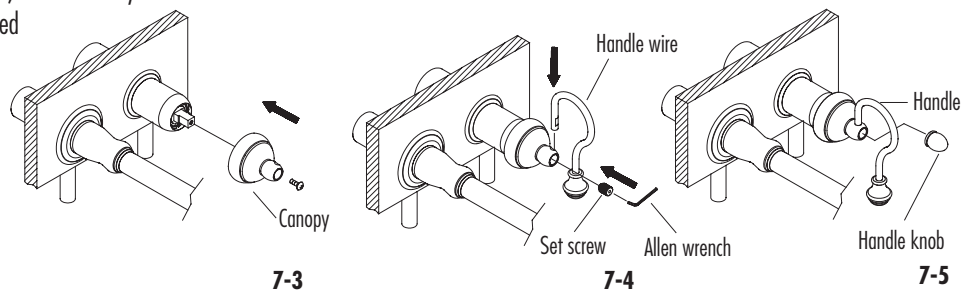
- 6** Install spout to spout shank:
Slide back canopy from spout end. Insert spout into the spout mounting shank. Tighten set screw with Allen wrench provided. Slide canopy to spout trim ring.



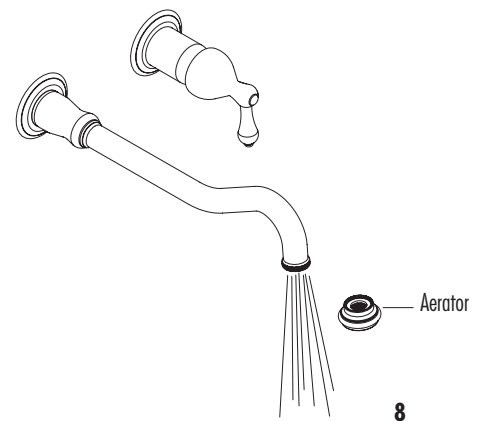
- 7** Thread the sleeve onto the handle valve. Slide the escutcheon onto the sleeve until it is against the wall. Install handle. See 7A & 7B.
A. For lever handle, install handle and secure with screw. Insert Index button. (See image 7-2)



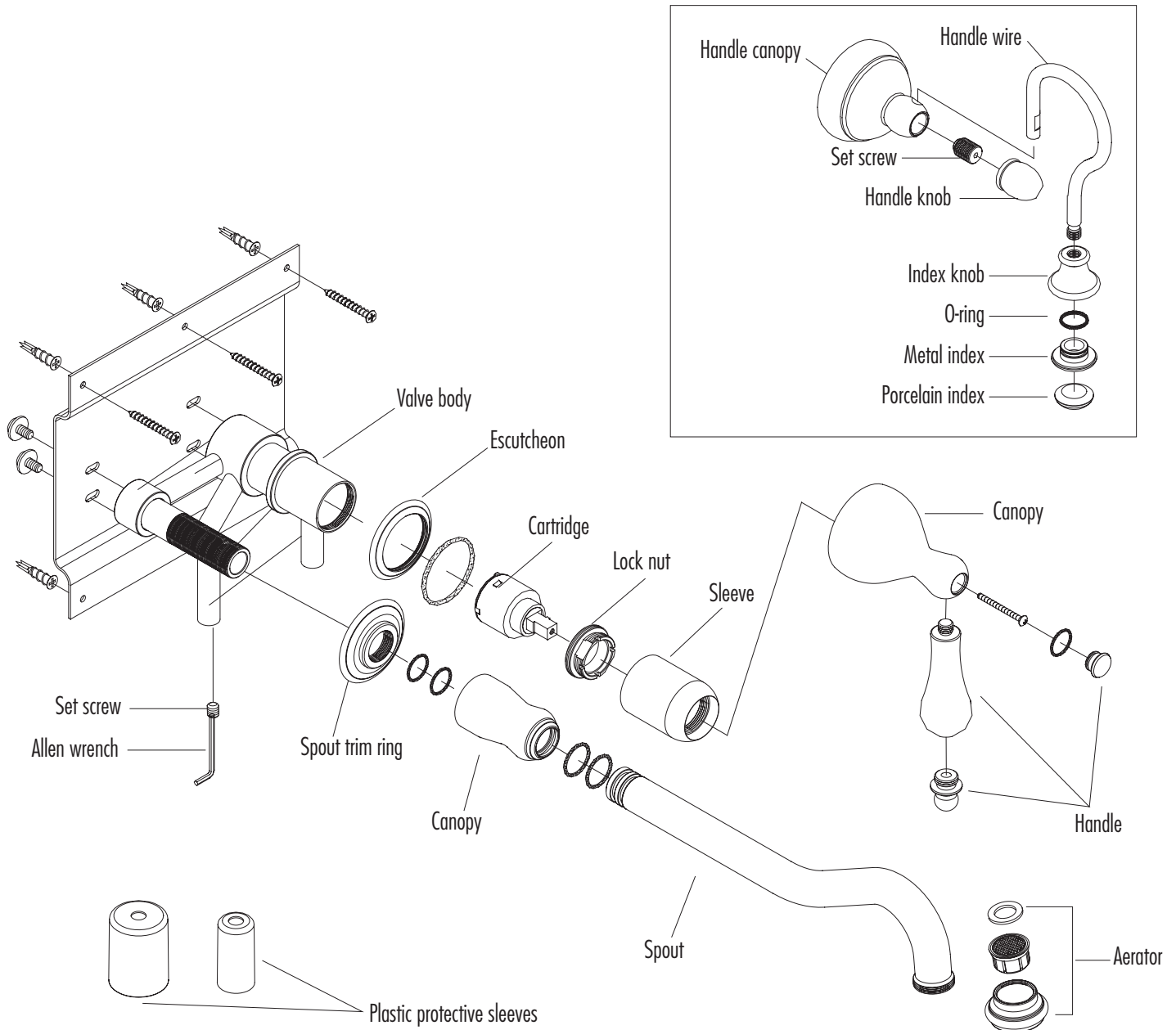
- B. For Spiral handle, install handle canopy and secure with screw (see image 7-3). Install and align handle wire, and secure by tightening set screw with Allen wrench provided (see image 7-4). Install handle knob.



- 8** Remove the aerator, and turn on hot and cold water for 1 minute each to flush the lines. Turn faucet off, and replace aerator.



Parts Breakdown



Trouble-Shooting

PROBLEM

Aerator leaks or has an inconsistent water flow pattern.

CAUSE

Aerator is dirty or improperly installed.

SOLUTION

Remove aerator, check for debris in the aerator screens, and confirm the rubber washer is properly installed.