

Evo

Model Ref. EVO-15

Material: Vitreous china

Color: White

Installation: Wall-mount and/or counter-top

Overall Dimensions: 20.9" L x 17.7" W x 6.3" H

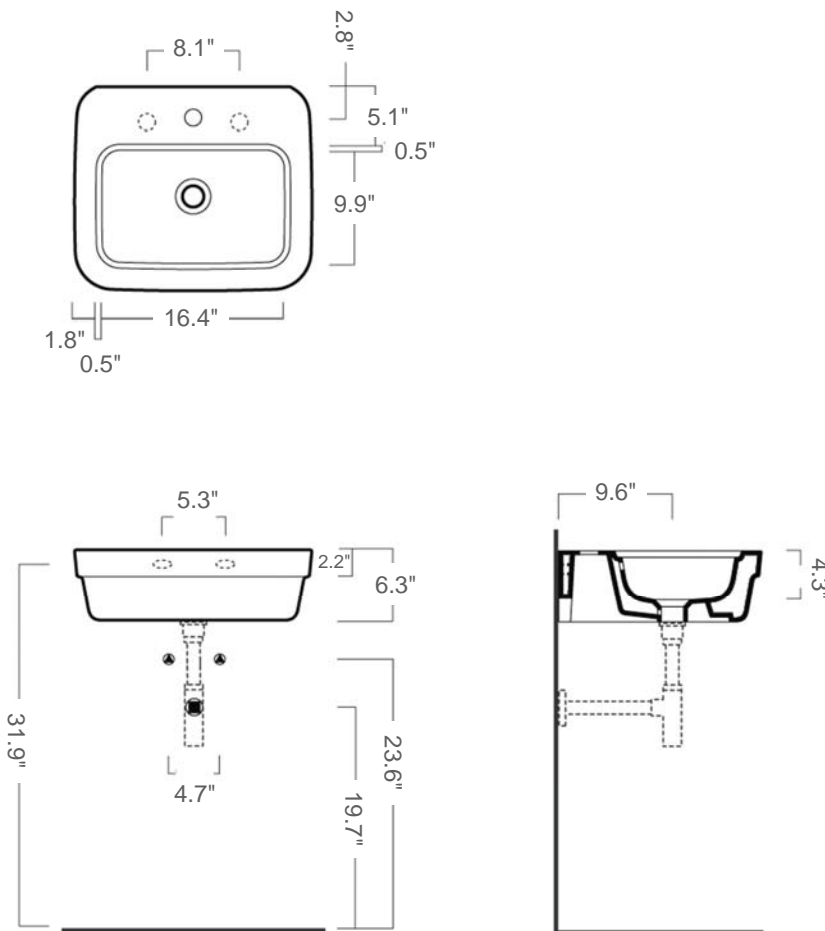
Interior Dimensions: 16.4" L x 9.9" W x 4.3" H

Drain hole: 1.75" Interior Diameter

Features: With overflow, one pre-drilled faucet hole and 2 embedded prepared to drill faucet holes to expand faucet options

Components included: Wall mounting fixing bolts

Recommended accessory (not included): 2.5" Diameter drain i.e. Click-clack Drain Ref. 360551



All dimensions are nominal

BISSONNET

Tel. (610) 454-1295 · Fax (610) 454-9385 · info@bissonnet.net · www.bissonnet.net