

### FEATURED MODEL

440607 Side Spray, CHROME

### ADDITIONAL MODELS

440606 Side Spray, SATIN NICKEL

### FEATURES

- Solid brass body and all metal side spray
- Ceramic disk cartridge
- Extra long supply lines
- 2.2 GPM flow rate
- Installation in a 1-3/8" hole, side spray in 1-3/8" hole
- 360 degree spout swivel
- 2-1/2" backsplash clearance off center
- 1-7/8" maximum deck thickness

### OPTIONAL ACCESSORIES

- Deluxe Soap Dispenser: 440006 (Chrome)  
 Meridian Soap Dispenser: 440059 (Chrome)  
 Alta Soap Dispenser: 440046 (Chrome)  
 Milano Soap Dispenser: 440050 (Chrome)  
 Harvest Soap Dispenser: 440054 (Chrome)

### CODE/STANDARDS COMPLIANCE

- ASME A112.18.1-2011  
 NSF 61 certified  
 NSF 61 ANEX G low lead requirements

**AB1953 Lead Free**

### WARRANTY

BLANCO'S kitchen and bar faucets feature a LIMITED LIFETIME WARRANTY to be free of all manufacturing defects under normal use. See our complete warranty for details.

While BLANCO endeavors to provide accurate information, all dimensions are nominal, cannot be guaranteed, and are subject to change or cancellation. BLANCO assumes no responsibility for use of superseded or voided specifications.

### JOB INFORMATION

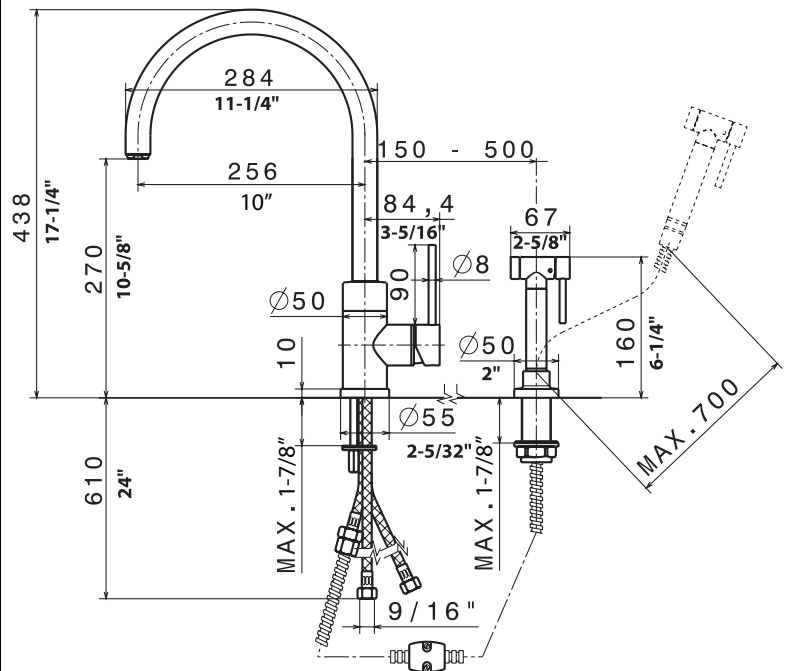
Job Name: \_\_\_\_\_  
 Contact: \_\_\_\_\_  
 Date Specified: \_\_\_\_\_  
 Specifier: \_\_\_\_\_  
 Contractor: \_\_\_\_\_



Model 440607 shown

### NOMINAL DIMENSIONS

REACH	SPOUT HEIGHT	FAUCET HEIGHT
10"	10-5/8"	17-1/4"



See next page for exploded parts drawing and parts list.

### BLANCO AMERICA

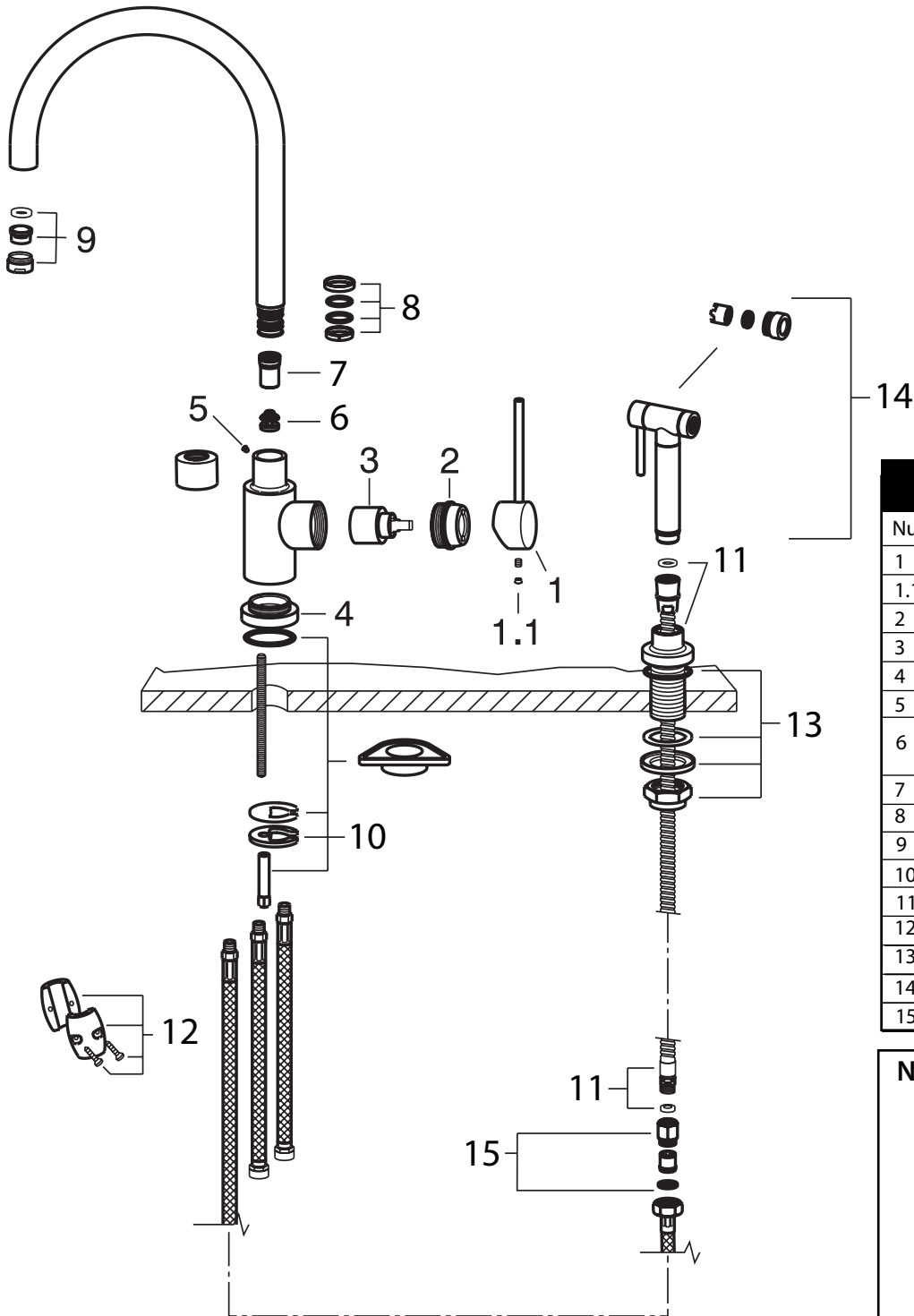
800.451.5782  
 www.blancoamerica.com

© 2013 BLANCO AMERICA

7/13

SPEC-003

Old Model #: 157-094-CR



REPAIR PART GUIDE		
Num.	Description	Part #
1	Handle - Chrome	440895
1.1	Handle - Screw and Cap	440889
2	Cartridge Lock Nut	
3	Cartridge	440877
4	Base - Chrome	
5	Body set screw	
6	Diverter	440881
	Tool for Diverter	440873
7	Brass bushing	
8	Spout - Ring set	
9	Aerator kit	
10	Mounting assembly	
11	Spray hose	440878
12	Weight	
13	Side spray - mounting hardware	
14	Side spray - Chrome	440883
15	Check valve assembly	

**Need to Change a Faucet Cartridge?**

Scan this QR code to see our how-to video

For faucet technical support or questions, please e-mail us at [faucets@blancoamerica.com](mailto:faucets@blancoamerica.com)