

FEATURED MODEL

441428 CLASSIC NOUVEAU 1.8 PULL OUT CHROME

ADDITIONAL MODELS

441429 CLASSIC NOUVEAU 1.8 PULL OUT SATIN NICKEL

FEATURES

- Meets CALGREEN requirements for water saving usage.
- 1.75 GPM Rate
- AB1953 Compliant under IAPMO certification
- Durable spiral flexible pull out spray hose
- Solid brass construction
- Ceramic disc cartridge
- Reversible moim mounting hardware adapts to thick or thin mounting surfaces.
- Color coded hot & cold supplies
- Installation in a 1-3/8" hole
- Limited Lifetime Warranty

CODE/STANDARDS COMPLIANCE

ASME A112.18.1M-2003

IAPMO Listed

AB1953 Lead Free

WARRANTY

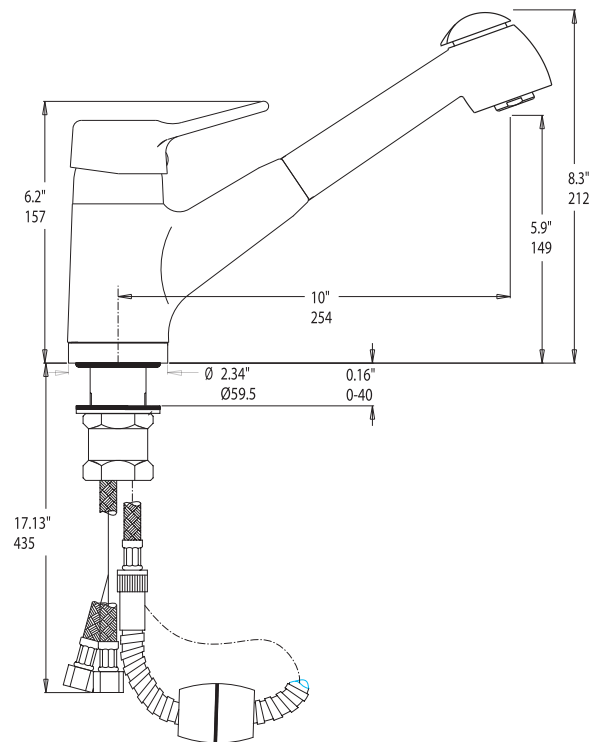
BLANCO FAUCETS feature a LIMITED LIFETIME WARRANTY to be free of all manufacturing defects under normal use. See our complete warranty for details.

While BLANCO endeavors to provide accurate information, all dimensions are nominal, cannot be guaranteed, and are subject to change or cancellation. BLANCO assumes no responsibility for use of superseded or voided specifications.



NOMINAL DIMENSIONS

REACH	SPOUT HEIGHT	FAUCET HEIGHT
10	5-1/2	6-5/8



See next page for exploded parts drawing and parts list.

JOB INFORMATION

Job Name: _____

Contact: _____

Date Specified: _____

Specifier: _____

Contractor: _____