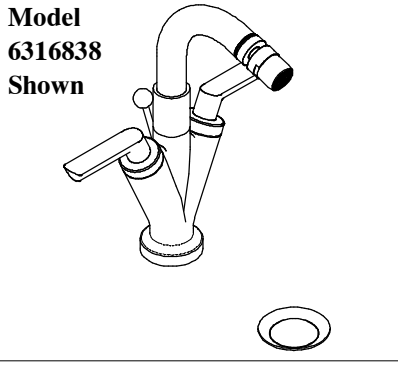


COMPLIES WITH:
 ANSI/ASME A112.18.1
 CSA B125
 IAPMO Listed
 CSA Certified
 ICC/ANSI A117.1/ADA



CSA B125
 ASME A112.18.1
 ICC/ANSI A117.1



BIDET FAUCETS

- Trevi™ Two Handle
- 1 Hole Applications

Submitted Model No.: _____

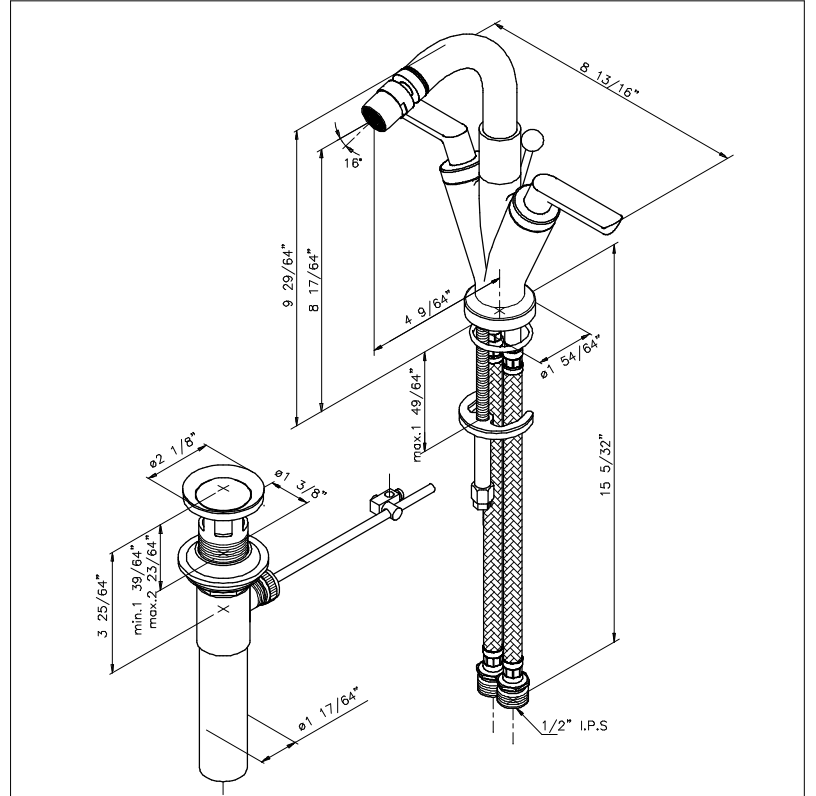
Specific Features: _____

STANDARD SPECIFICATIONS

- Two handle bidet faucet for concealed mounting on 1 hole applications.
- Control mechanism shall be of the rotating ceramic cylinder type with 90° (1/4 turn) rotation.
- RP6948391 optional escutcheon available for 4" 3-hole applications
- Recommend 1 1/4" hole size.

AVAILABLE FINISHES

| Suffix | Finish |
|--------|----------------------------|
| BN | Brilliance® Brushed Nickel |
| PC | Polished Chrome |



| Standard Features | |
|----------------------------|---|
| Washerless ceramic valving | ◆ |
| Flexible connection hoses | ◆ |
| Metal Pop-up Drain | ◆ |
| 1/2" I.P.S. Adapters | ◆ |