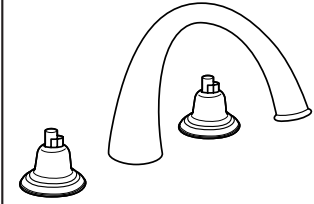
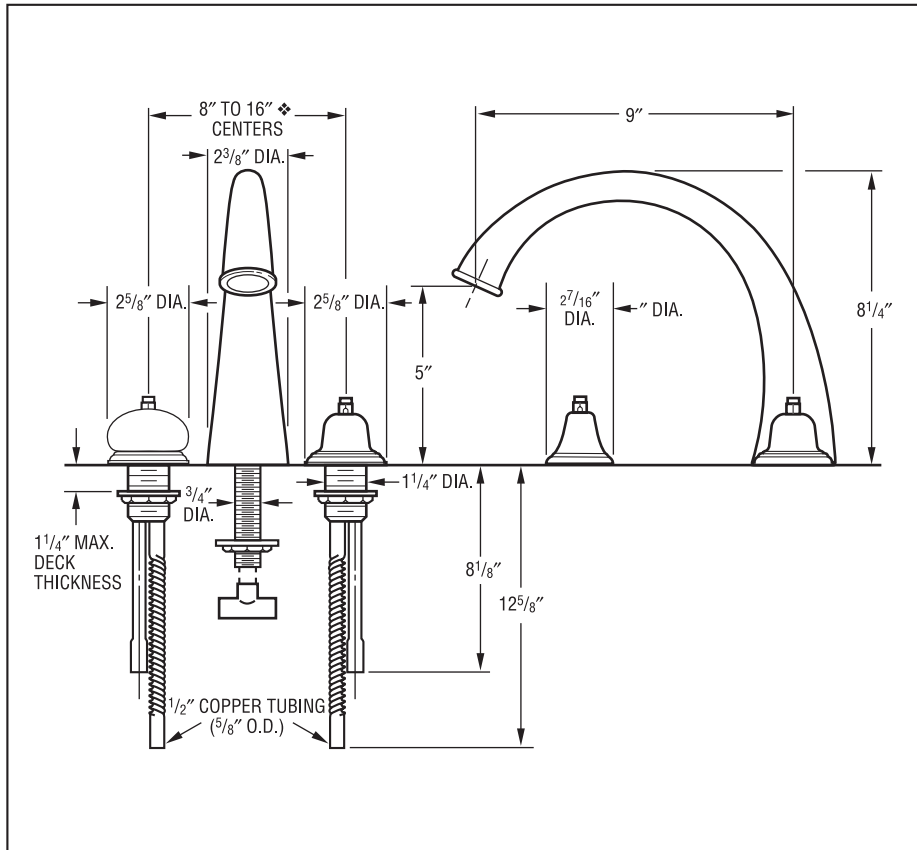


Model 6720-LHP Shown



Submitted Model No.: _____

Specific Features: _____



❖ For lever handles use 10"-16" centers.

BRIZO™

BATH VALVES

- Providence™ Classic, Elegance and Belle Series
- Two-Handle Roman Tub Valve
- Complete Trim and Rough-In
- Ceramic Disc Valving
- Flexible Ledge Mount
- 8" – 16" Centers ❖
- Temperature and Volume Controlled with Handles

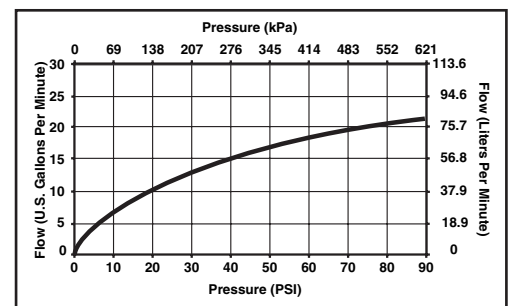


COMPLIES WITH:

ANSI/ASME A112.18.1
 CSA B125
 IAPMO Listed
 CSA Certified
 ICC/ANSI A117.1/ADA

STANDARD SPECIFICATIONS:

- Roman tub valve.
- 8" – 16" centers. ❖
- Ceramic disc valving.
- Valve mechanism shall be of the rotating cylinder type with 180° rotation.
- Hot and cold stem units shall be interchangeable.
- Valve shall be equipped with replaceable non-metallic seats which are contained in stainless steel lined sockets.
- All operating parts shall be replaceable from the top.
- Conventional installation kit adjusts to 1/4" maximum deck thickness.



Standard Features	6720*-LHP	6722*-LHP	6726*-LHP
Washerless	◆	◆	◆
Ceramic Disc Valving	◆	◆	◆
5/8" O.D. Copper Tube Inlets	◆	◆	◆
Brass Stem	◆	◆	◆
Slip on Spout	◆	◆	◆

* To specify finish, add suffix.

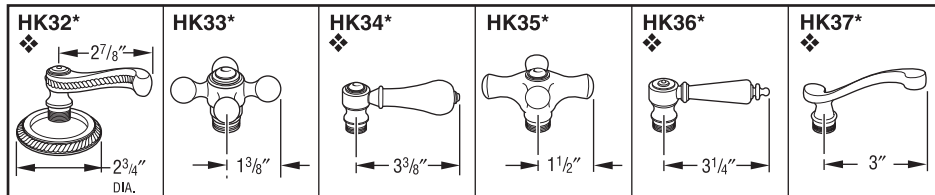
Available Finishes

Suffix	Finish
BB	<i>Brilliance</i> ® Brass
PC	Polished Chrome
PN●	<i>Brilliance</i> ® Polished Nickel
RB▲	Venetian Bronze™
SN	Satin Nickel

▲ RB finish is not available on Belle or Elegance Series.

● PN finish is not available on Elegance Series.

AVAILABLE HANDLE OPTIONS:



* To specify finish, add suffix.

❖ For lever handles use 10"-16" centers.