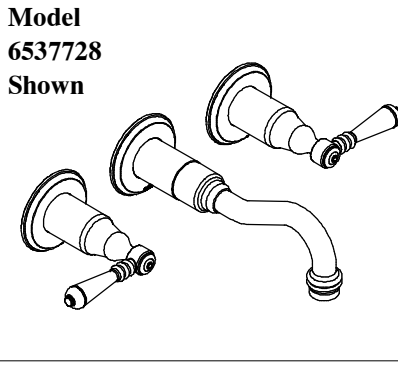


COMPLIES WITH:
 ANSI/ASME A112.18.1
 CSA B125
 IAPMO Listed
 CSA Certified
 ICC/ANSI A117.1/ADA



CSA B125
 ASME A112.18.1
 ICC/ANSI A117.1



LAVATORY FAUCETS

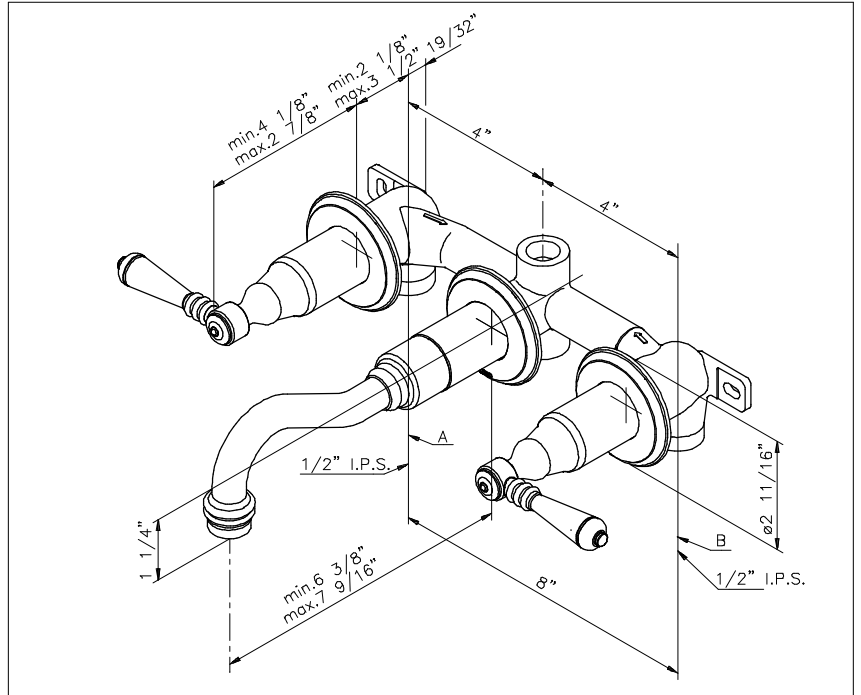
- Tresa™ Two Handle Wall-Mounted Lavatory Valve
- 3 Hole Applications
- 8" Center
- Temperature and Volume Controlled With Handles.
- 6" Metal Spout (6 3/8"–7 9/16" with adjustable rough-in)

Submitted Model No.: _____

Specific Features: _____

STANDARD SPECIFICATIONS

- Two handle Lavatory faucet for concealed mounting in 3 hole wall applications.
- 6" metal spout.
- Control mechanism shall be of rotating ceramic cylinder type with 90° (1/4 turn) rotation.
- 8" Center, 4" distance between holes.
- 1 1/2" Recommended hole size.
- Roughing in dimensions: 2 1/8" to 3 1/2".
- 1/2" I.P.S. Inlets.
- For push button drain option, order: RP6949570* with overflow holes or RP6949572* less overflow holes. * indicates surface suffix.



AVAILABLE FINISHES

Suffix	Finish
BN	Brilliance® Brushed Nickel
PC	Polished Chrome
BZ	Brilliance® Brushed Bronze

	0.5	1.0	1.5	2.0	2.5	3.0	10.0	10.5	12.0	17.5	18.0	19.0	psi	60.0	80.0
Gals./Min															
Ltrs./Min	1.9	3.8	5.7	7.6	9.5	11.4	38.0	40.0	45.0	66.0	68.0	72.0	kPa	414	551

Standard Features	
Washerless ceramic valving	◆
6" metal spout	◆
1/2" I.P.S. connections	◆

