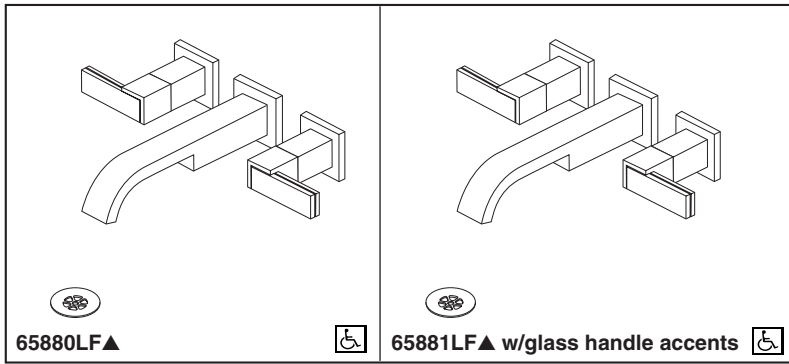


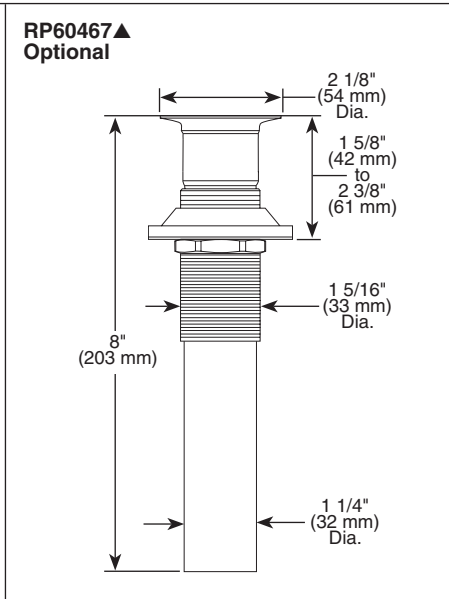
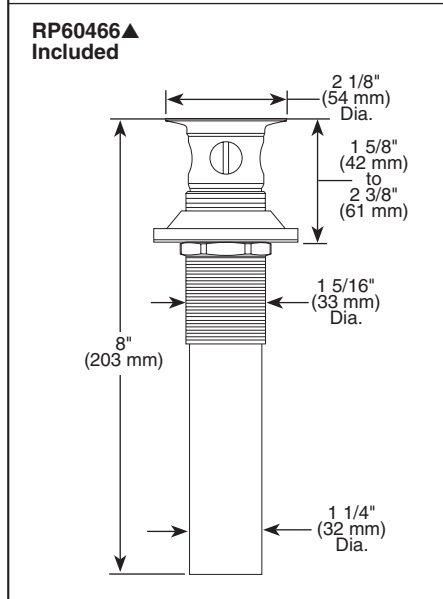
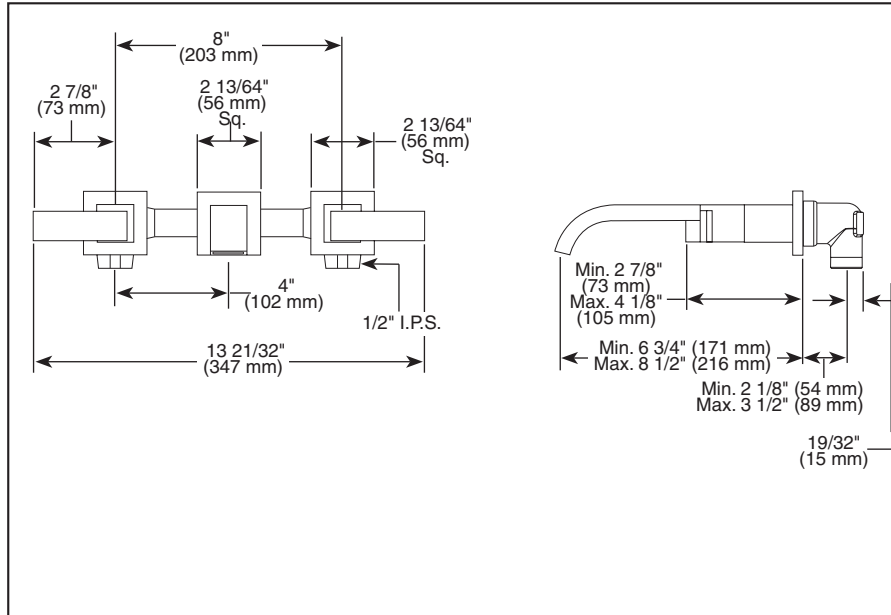
BRIZO®

LAVATORY FAUCETS

- Siderna™ Bath Collection
- Two Handle Wall-Mounted Lavatory Valve
- Three Hole Applications



Submitted Model No.: _____
 Specific Features: _____



▲ Designate Proper Finish Suffix

STANDARD SPECIFICATIONS:

- Two handle lavatory faucet for concealed mounting in 3 hole wall applications.
- Solid metal spout.
- 6 3/4" - 8 1/2" adjustable spout based on rough-in.
- Control mechanism shall be of the rotating ceramic cylinder type with 90° (1/4 turn) rotation.
- 8" centers, 4" distance between holes.
- Recommend 1 1/2" hole size.
- Adjustable roughing in dimensions: 2 1/8" to 3 1/2".
- 1/2" I.P.S. inlets.
- Metal grid strainer with overflow included (RP60466).
- Optional grid strainer without overflow (RP60467) available.
- Maximum flow rate 1.5 gpm @ 60 PSI, 5.7L @ 414Pa.
- Handles attach to valve by use of magnets inside handles. No set screw required.

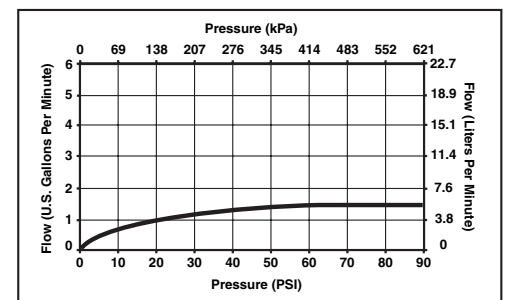
WARRANTY

- Lifetime Faucet and Finish Limited Warranty to the original consumer purchaser to be free from defects in material and workmanship.
- 5 Year Limited Warranty for usage in all industrial, commercial and business applications.



COMPLIES WITH:

- ASME A112.18.1 / CSA B125.1
- ASME A112.18.2 / CSA B125.2
- Indicates compliance to ICC/ANSI A117.1
- EPA WaterSense
- Verified compliant with .25% weighted average Pb content regulations.



Delta Faucet Company
 55 E. 111th Street, Indianapolis, Indiana 46280
 395 Matheson Blvd. E., Mississauga, ON L4Z 2H2
 © 2010 Masco Corporation of Indiana

Delta reserves the right (1) to make changes in specifications and materials, and (2) to change or discontinue models, both without notice or obligation. Dimensions are for reference only. See current full-line price book or www.brizo.com for finish options and product availability.

BSP-L-65880LF Rev. A