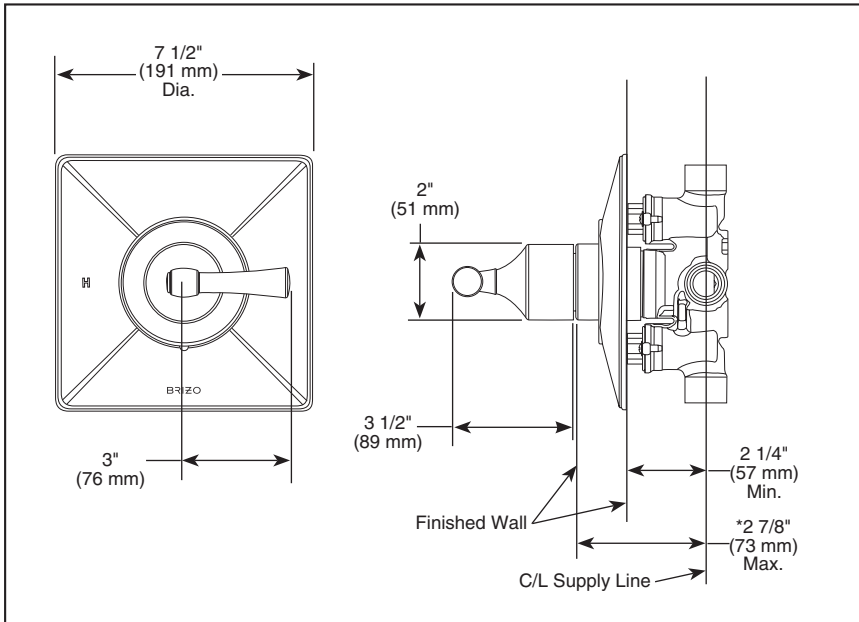


BRIZO® SENSORI® CUSTOM SHOWER TRIM

- Vesi® Collection
- Thermostatic Control Trim

Submitted Model No.: _____

Specific Features: _____

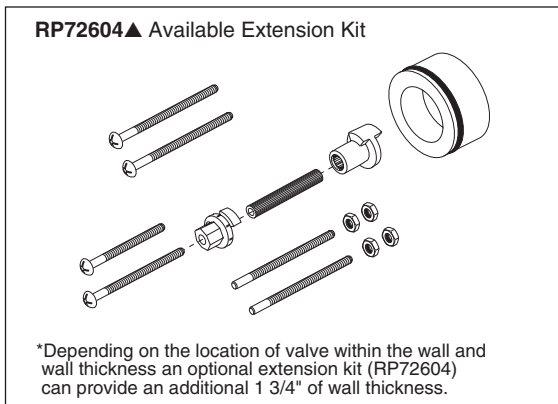


STANDARD SPECIFICATIONS

- Sensori® thermostatic control.
- Must also order R66000-WS rough valve body.
- Includes Sensori® thermostatic cartridge.
- Thermostatic wax element maintains the outlet temp to +/- 3.6° F.
- Handle controls temperature only; must be used with one or more Sensori® volume controls.
- Graphics indicate hot/cold temp.
- Field adjustable to limit rotation into hot water zone.
- All parts are replaceable from the front of the valve.
- Adjusts for up to 5/8" wall thickness.

WARRANTY

- Lifetime limited warranty on parts (other than electronic parts and batteries) and finishes; or, for commercial users, for 5 years from date of purchase.
- 5 year limited warranty on electronic parts (other than batteries); or, for commercial users, for 1 year from the date of purchase. No warranty is provided on batteries.



COMPLETE VALVE COMPLIES WITH:

- ASME A112.18.1 / CSA B125.1
- ICC/ANSI A117.1
- ASSE 1016

Delta reserves the right (1) to make changes in specifications and materials, and (2) to change or discontinue models, both without notice or obligation. Dimensions are for reference only. See current full-line price book or www.brizo.com for finish options and product availability.