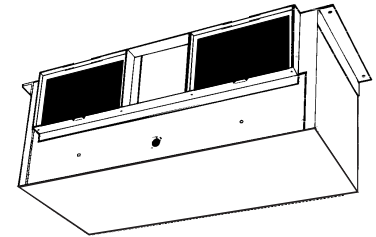




LOSONE SELECT® IN-LINE VENTILATORS MODELS L2000L & L3500EXL



Incredibly reliable. Unbelievably quiet. Offering the CFM choices you need.

FEATURES

BLOWER:

- Low RPM for quiet operation
- Resilient anti-vibration mounts
- Dynamically-balanced, metal, centrifugal blower wheels for quiet, efficient performance
- Permanently lubricated, thermally protected motor
- Plug-in motor rated at 120 VAC (Model L3500EXL - 240 VAC)
- Designed for continuous operation

HOUSING:

- Rugged galvanized steel
- May be installed in ceiling or wall (size permitting)
- Acoustic insulation inside
- 8-position mounting brackets for easy installation and greater adaptability to various mounting requirements
- Factory-shipped in horizontal discharge position - may be converted to vertical discharge

CONTROLS:

- Model 59V (Ivory) / 59W (White) 60-Minute Time Control
- Model 61V (Ivory) / 61W (White) 15-Minute Time Control
- Model 71V (Ivory) / 71W (White) 12-Hour Time Control
- Electronic Variable Speed Controls
Model 72V (Ivory) / 72W (White) 6-Amp, 120 VAC
Model 75V (Ivory) 6-Amp, 240 VAC

ACCESSORIES:

- For Model L2000L:
Model G102 Grille Kit for ceiling applications
Model D100 Damper Kit with twin backdraft flaps
Model V104 Vibration Damper Hangers - 4 per set
- For Model L3500EXL
Model G103 Grille Kit for ceiling applications
Model D101 Damper Kit with twin backdraft flaps
Model V104 Vibration Damper Hangers - 4 per set

TYPICAL SPECIFICATION

Ventilator shall be Broan Model L2000L, (L3500EXL).

Ventilator shall have galvanized steel housing lined with acoustic insulation. Housing to have adjustable mounting brackets.

Automatic backdraft dampers to be located within duct connector. Duct connector, blower assembly and wiring plate shall be adjustable for either horizontal or vertical installation.

Blower unit shall be removable from housing and will have a metal, centrifugal-type blower wheels. Motor to be permanently lubricated and mounted with resilient anti-vibration mounts. RPM not to exceed number listed for each model.

Air delivery shall be no less and sound levels no greater than listed for each model. All air and sound ratings shall be certified by AMCA. Units to be UL listed.



"Broan-NuTone LLC certifies that the models shown herein are licensed to bear the AMCA Seal. The ratings shown are based on tests and procedures performed in accordance with AMCA Publication 211 (and AMCA Publication 311 if sound is also certified) and comply with the requirements of the AMCA Certified Ratings Program"



Broan-NuTone LLC, A Nortek Company, Hartford, Wisconsin 53027 (1-800-548-0790)
Broan-NuTone Canada, A Nortek Company, Mississauga, Ontario, L5T 1H9 (905-670-2500)

REFERENCE	QTY.	REMARKS	Project
			Location
			Architect
			Engineer
			Contractor
			Submitted by Date

PERFORMANCE RATINGS - LOSONE SELECT® IN-LINE VENTILATORS MODELS L2000L & L3500EXL

AMCA LICENSED PERFORMANCE

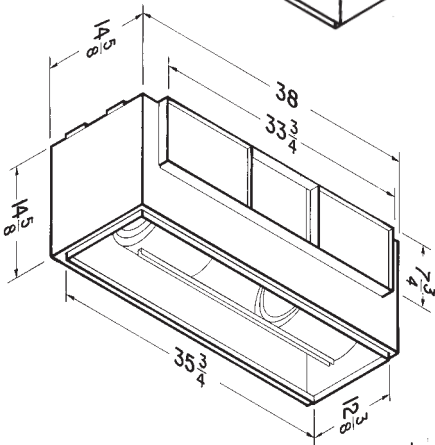
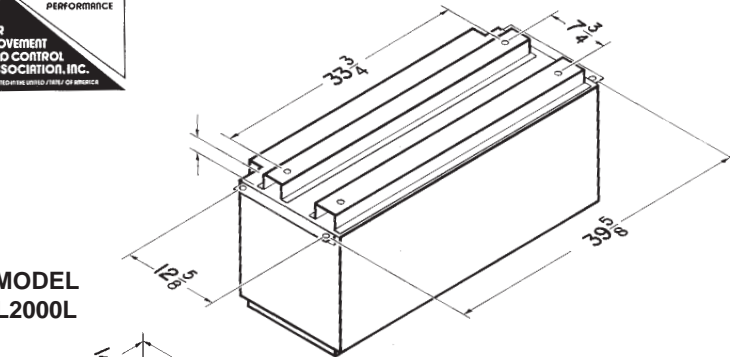
		CFM / SONES - AT STATIC PRESSURES (Ps - inches of H ₂ O)													
MODEL NO.	NOMINAL VOLTAGE		0.0" Ps	.10" Ps	.125" Ps	.250" Ps	.375" Ps	.50" Ps	.625" Ps	.750" Ps	.875" Ps	1.0" Ps	NOMINAL RPM	AMPS @60 Hz	WATTS
L2000L	120 VAC	CFM St. Thr.	1891	1803	1791	1657	1508	1347	1165	808	284		965	5.8	590
		SONES St. Thr.	10.3	9.8	9.4	9.0	8.6	9.1	8.9	7.0	6.7				
		CFM Rt. Ang.	2070	1931	1898	1769	1609	1424	1314	795	288		1020	5.8	635
		SONES Rt. Ang.	11.1	10.3	10.1	9.7	9.4	9.2	8.5	7.0	6.7				
L3500EXL	240 VAC	CFM St. Thr.	3605	3498	3452	3278	3073	2893	2679	2429	2093	1693	1105	5.4	1204
		SONES St. Thr.	15.3	14.8	14.5	14.1	13.1	12.8	12.1	11.8	11.9	10.8			
		CFM Rt. Ang.	3868	3714	3696	3537	3356	3168	2951	2671	2384	2005	1110	5.4	1205
		SONES Rt. Ang.	14.6	14.2	14.2	13.3	12.8	12.5	11.6	11.4	11.4	13.4			

Performance ratings do not include the effects of appurtenances in the airstream. Speed (RPM) shown is nominal. Performance is based on actual speed of test. The sound ratings shown are loudness values in fan sones at 5' (1.5m) in a hemispherical free field calculated per AMCA Std. 301. Values shown are for Installation Type D: Ducted inlet, Ducted outlet. Ratings do not include the effect of duct end correction. Performance shown is for Installation Type D: Ducted inlet, Ducted outlet.

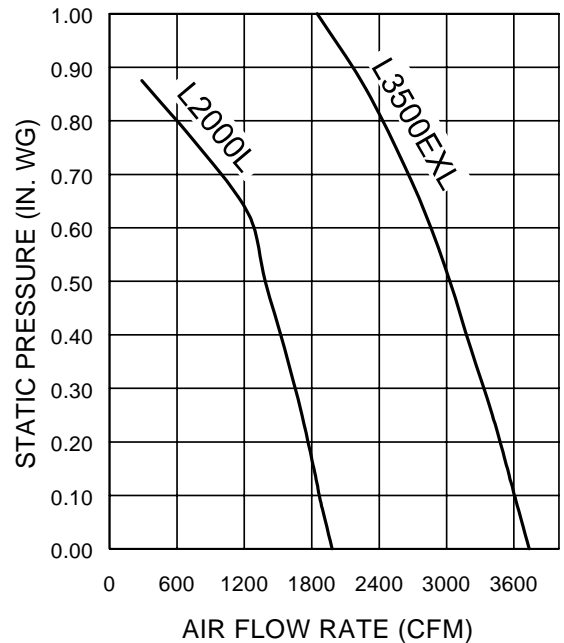
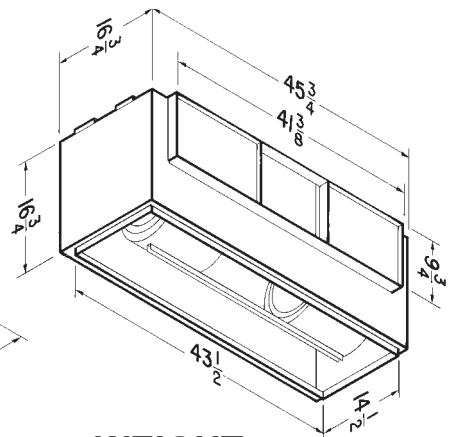
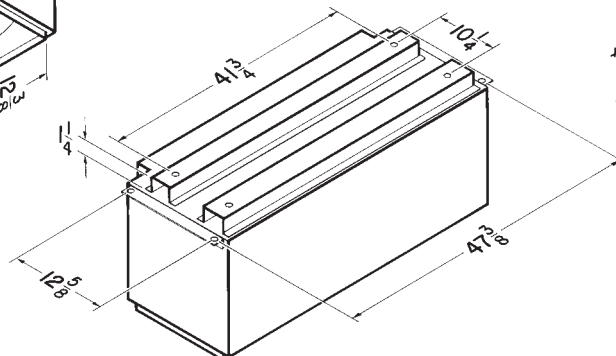


"Broan-NuTone LLC certifies that the models shown herein are licensed to bear the AMCA Seal. The ratings shown are based on tests and procedures performed in accordance with AMCA Publication 211 (and AMCA Publication 311 if sound is also certified) and comply with the requirements of the AMCA Certified Ratings Program."

MODEL L2000L



MODEL L3500EXL



WEIGHT

MODEL NO.	SHIPPING WT.
L2000L	89 lbs.
L3500EXL	144 lbs.



Broan-NuTone LLC, A Nortek Company, Hartford, Wisconsin 53027 (1-800-548-0790)
Broan-NuTone Canada, A Nortek Company, Mississauga, Ontario, L5T 1H9 (905-670-2500)