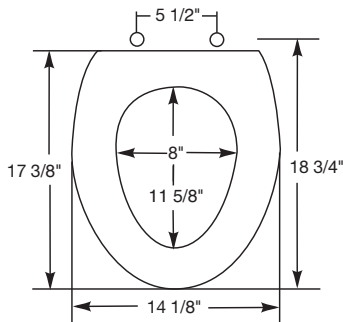




RESIDENTIAL MOLDED WOOD SEATS

MODEL 1400TTC

- ELONGATED SEAT, CLOSED FRONT WITH COVER
- MOLDED WOOD
- TOP-LOC® HINGES WITH NON-CORROSIVE TOP-TIGHTENING BOLTS AND WING NUTS



Ring thickness is 3/4"
Ring thickness including the bumper is 1"
Height of the seat with cover is 1-3/4"

Seats shall be No. 1400TTC as manufactured by Church seats. Seats shall be molded wood, multi-coat enamel finish with closed front and cover to fit elongated bowl. Color-matched bumpers and hinges. Top-Loc® hinges with non-corrosive top tightening bolts and wing nuts. Color to be white.

