

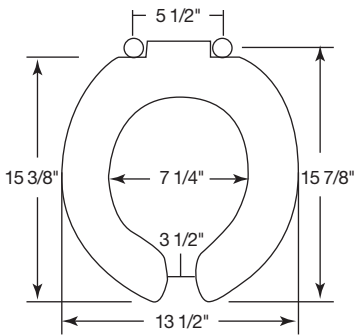


COMMERCIAL PLASTIC SEATS

MODEL 1580C

- INFANT SEAT
- OPEN FRONT LESS COVER
- SOLID PLASTIC
- STA-TITE®, COMMERCIAL FASTENING SYSTEM™

DuraGuard®
ANTIMICROBIAL

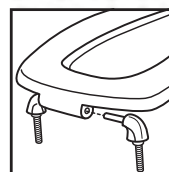


Ring thickness is 13/16"
 Ring thickness including the bumper is 1-1/4"
 Height of the seat is 1-3/4"

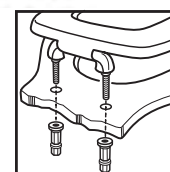
Seats shall be No. 1580CT as manufactured by Church Seats. Seats shall be injection molded of solid plastic and open front less cover to fit baby bowls. Seats shall feature large molded-in bumpers. Seats shall have STA-TITE®, Commercial Fastening System™, featuring concealed check hinges with 300 Series stainless steel posts and pintles that stop seat 11 degrees beyond vertical. Color to be white.



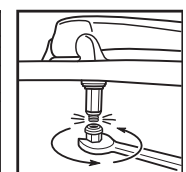
STATITE®



Assemble hinges.



Finger-tighten fastening nuts.



Using wrench, tighten until lower portion shears off.